

Service Guide

# HP 8711A Component Level Repair

**HP 8711A  
NETWORK ANALYZER  
Component Level Repair  
Service Guide**

©Copyright      HEWLETT-PACKARD COMPANY      1992  
1400 FOUNTAINGROVE PARKWAY, SANTA ROSA, CA 95403 U.S.A.

MANUAL PART NO. 08711-90004

Printed: OCTOBER 1992



**HEWLETT  
PACKARD**



# HP 8711A Schematic Package

## General Information

This schematic package contains component-level documentation for printed circuit board assemblies in the HP 8711A network analyzer. For each assembly, the following information is included:

- Replaceable Parts List
- Component Location Diagram
- Circuit Schematic

Please note that the primary repair strategy for the HP 8711A is assembly-level replacement. This schematic package does not provide detailed troubleshooting information. It is provided mainly to assist in repairing assemblies when the problem is simple. Difficult problems may require many hours to troubleshoot to the component level, and this may cost more than simply replacing the assembly. Therefore, please remember that assemblies are still available as rebuilt-exchange and replacement parts. For more information on lower-cost rebuilt-exchange assemblies, refer to the HP 8711A Service Manual.

Table 1 lists the reference designators and parts numbers of the printed circuit boards which are included in this schematic package. When ordering an assembly, please refer to the "Replaceable Parts" section of the service manual for the proper assembly part numbers, since these are often different from the board part numbers.

*Table 1. Assemblies and Part Numbers Included in Schematic Package*

Assembly	HP Part Number
A1 Front Panel	08711-60101
A2 CPU	08711-60002
A3 Reference	08711-60103
A3 Fractional-N	03325-66521
A4 Source	08711-0104
A5 Receiver	08711-60105
A6 Power Supply	5062-3415 5062-3416 5062-3417 5062-3418 5062-3419 5062-3420
Backplane	08711-60109
Service Board, Interface	08711-60110
Service Board, Remove	08711-60111





*Manufacturer's Code List (1 of 3)*

00493	UNITED CHEMI-CON INC	COMPTON	CA	90220
00715	MICROTRANCOINC	VALLEYSTREAM	NY	11582
00779	NICHICON (AMERICA) CORP	SCHAUMBERG	IL	60195
01125	LEWIS SCREW CO	CHICAGO	IL	60609
01339	GETTIG ENGRG & MFG CO INC	SPRING MILLS	PA	16875
01380	AMP INC	HARRISBURG	PA	17111
01409	CROVENCRYSTALS	WHITBY		L1N5
01417	NEL FREQUENCY CONTROLS INC	BURLINGTON	WI	53105
01468	STETTNER & CO	LAUF		D-856
01607	ALLEN-BRADLEY CO INC	EL PASO	TX	79935
01698	TEXAS INSTRUMENTS INC	DALLAS	TX	75265
01850	AROMAT CORP	MOUNTAINSIDE	NJ	07092
01854	RCL ELECTRONICS INC	NORTHBROOK	IL	60062
01869	PULSE ENGINEERING INC	SAN DIEGO	CA	921 1 1
01886	COILCRAFT INC	CARY	IL	60013
01963	NYLON MOLDING CORP	SPRINGFIELD	NJ	07081
02010	AVX CORP	GREAT NECK	NY	11021
02037	MOTOROLA INC	ROSELLE	IL	60195
02121	LYN-TRON INC	BURBANK	CA	91505
02123	EG & G INC	WELLESLEY	MA	02181
02172	JEFFERS ELECTRONICS INC	NOGALES	AZ	85621
02180	PRECISION MONOLITHICS INC	SANTA CLARA	CA	95054
02210	MILTON ROSS CO	SOUTHAMPTON	PA	18966
02367	CORNELL-DUBILIER/SANGAMO	WAYNE	NJ	07470
02392	C & K COMPONENTS INC	NEWTON	MA	02158
02408	DIXON INDUSTRIES CORPORATION	BRISTOL	RI	02809
02414	BURNDY CORP	NORWALK	CT	06856
02483	CTS CORP	ELKHART	IN	46514
02499	IRC INC	BOONE	NC	28607
02559	ALBANY PROD CO DIV OF PHEUMO DYN	NORWALK	CT	06850
02608	THERMALLOY INC	DALLAS	TX	75234
02685	LOBAUGH ROLLIN J	SOUTH SAN FRANC	CA	94080
02744	ELEC-TROL INC	SAUGUS	CA	91350
02805	COOPER INDUSTRIES INC	HOUSTON	TX	77210
02856	MOHAWK SPRING CO INC	ARLINGTON HEIGH	IL	60008
02883	SILICONIX INC	SANTA CLARA	CA	95054
02910	SIGNETICS CORP	SUNNYVALE	CA	94086
02923	CHOMERICS INC	WOBURN	MA	01801
02946	DUPONT E I DE NEMOURS & CO	WILMINGTON	DE	19801
02995	NORTH AMERICAN PHILIPS CORP	NEW YORK	NY	10017

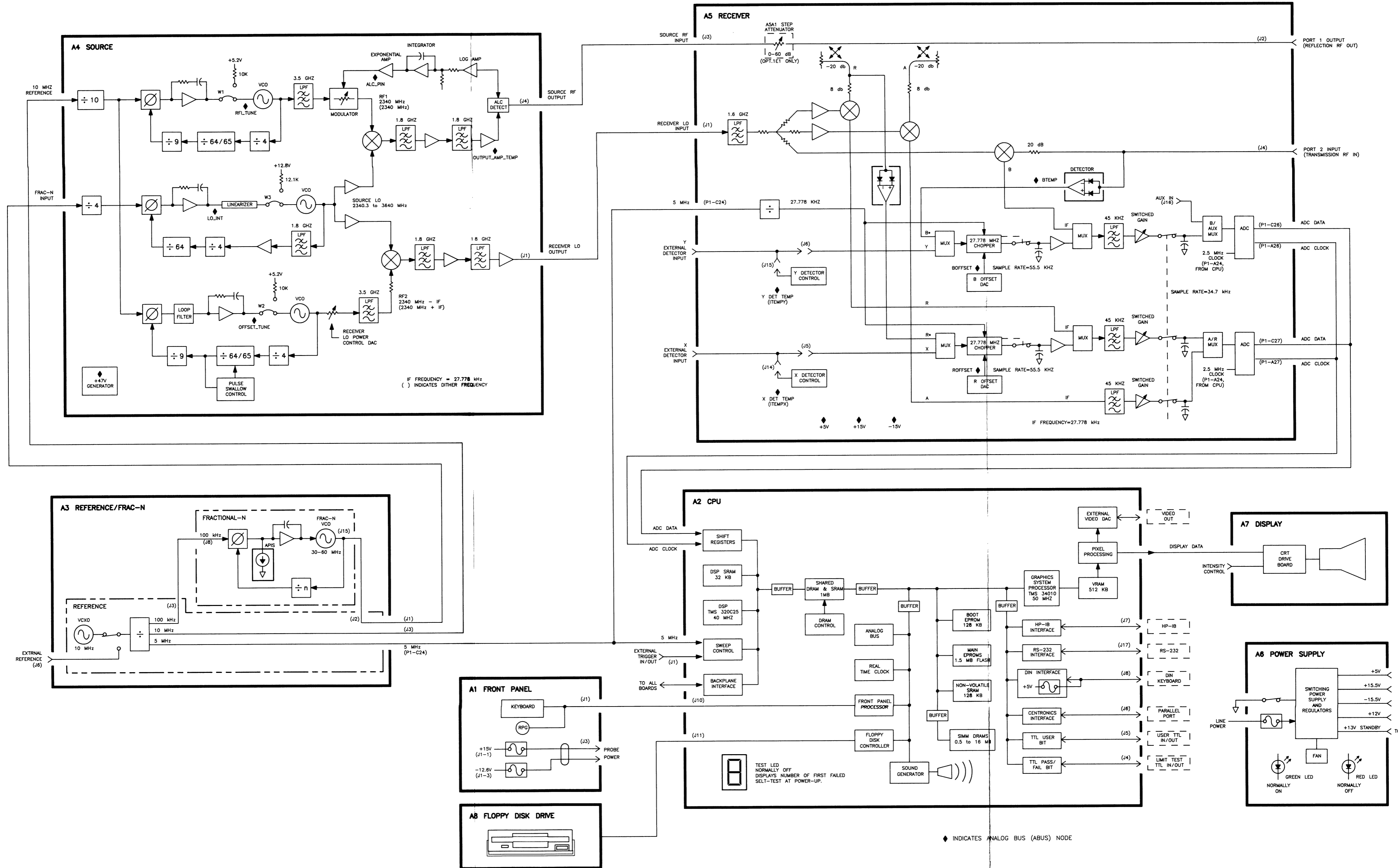
*Manufacturer's Code List (2 of 3)*

03038	INTL RECTIFIER CORP	LOS ANGELES	CA	90069
03171	SOLITRON DEVICES INC	PALM BEACH	FL	33404
03273	GOWANDA ELECTRONICS CORP	GOWANDA	NY	14070
03285	ANALOG DEVICES INC	NORWOOD	MA	02062
03316	SPECIALTY CONNECTOR CO	FRANKLIN	IN	46131
03334	NV PHILIPS ELCOMA	EINDHOVEN		02876
03380	GRIES/DYNACAST CO DIV COATES-CLARK	NEW ROCHELLE	NY	10802
03406	NATIONAL SEMICONDUCTOR CORP	SANTA CLARA	CA	95052
03418	MOLEX INC	LISLE	IL	60532
03462	POSITRONIC INDUSTRIES INC	SPRINGFIELD	MO	65804
03627	SOLID STATE DEVICES INC	LA MIRADA	CA	90638
03724	BIVAR INC	SANTA ANA	CA	92705
03744	BOU RNS NETWORKS INC	RIVERSI DE	CA	92507
03747	COLORADO CRYSTAL CORP	LOVELAND	CO	80537
03793	SILICON GENERAL INC	SAN JOSE	CA	95134
03799	HARRIS CORP	MELBOURNE	FL	32901
03811	INTEL CORP	SANTA CLARA	CA	95054
03981	PENN ENGINEERING & MFG CORP	DOYLESTOWN	PA	18901
04055	OVERLAND PRODUCTS CO	PHOENIX	AZ	68025
04200	SPRAGUE ELECTRIC CO	LEXINGTON	MA	02173
04225	THOMAS & BETTS CORP	RARITAN	NJ	08869
04486	ITTCORP	NEWYORK	NY	10022
04504	GENERAL INSTRUMENT CORP	CLIFTON	NJ	07012
04507	TRW INC	CLEVELAND	OH	44124
04567	ITT HARPER DIV	CHICAGO	IL	60606
04568	BECKMAN INDUSTRIAL CORP	FULLERTON	CA	92635
04703	LITTELFUSE INC	DES PLAINES	IL	60016
04726	3M CO	ST PAUL	MN	55144
04771	PHEOLL MFG CO DIV OF ALLIED PROD	CHICAGO	IL	60650
04805	ILLINOIS TOOL WORKS INC SHAKEPROOF	ELGIN	IL	60126
04939	SCHNITZER ALLOY PRODUCTS CO	ELIZABETH	NJ	07206
04990	GRAYHILL INC	LA GRANGE	IL	60525
05176	AMERICAN SHIZUKI CORP	CANOGA PARK	CA	91304
05447	BERGQUIST CO	MINNEAPOLIS	MN	55420
05518	AUGAT INC	MANSFIELD	MA	02048
05524	DALE ELECTRONICS INC	COLUMBUS	NE	68601
05610	CAMCAR SCREW & MFG CO	ROCKFORD	IL	61101
05769	ITT SEAELECTRO CORP	TRUMBULL	CT	06611
05792	INTL ELECTRONIC RESEARCH CORP	BURBANK	CA	91502
05826	AMER PRCN IND INC DELEVAN DIV	AURORA	NY	14052

*Manufacturer's Code List (3 of 3)*

06118	ROEDERSTEIN/RESISTA GMBH	LANDSHUT		8300
06121	SIEMENS AG	MUNICH		8000
06127	WIMA	MANNHEIM		6800
06347	HITACHI LTD	CHIYODA-KU - TO		101
06352	TDK CORPORATION OF AMERICA	SKOKIE	IL	60076
06665	SAMTEC	NEW ALBANY	IN	47150
06691	HOUSE OF METRICS LTD	SPRING VALLEY	NY	10977
06784	MIDWEST COMPONENTS	MUSKEGON	MI	49443
07041	R.A.F. ELECTRONIC HARDWARE INC	STRATFORD	CT	06497
07179	AAVID ENGINEERING INC	LACONIA	NH	03247
07338	J K L COMPONENTS CORP	LOS ANGELES	CA	90064
07477	AMERICAN OIL & SUPPLY CO	NEWARK	NJ	07105
08123	COIL-Q CORP	BRONXVILLE	NY	
08709	PANASONIC INDUSTRIAL CO	SECAUCUS	NJ	07094
08838	AND (ALPHA NUMERIC DISPLAYS)	BURLINGAME	CA	
09366	HYCOMP, INC	MAYNARD	MA	
09694	ELECTRONIC ESSENTIALS	WOODSIDE	NY	
09939	MURATA ERIE NORTH AMERICA INC	SMYRNA	GA	30080
10572	XICOR, INC	MILPITAS	CA	
10858	LINEAR TECHNOLOGY CORP	MILPITAS	CA	95035
11212	INDUCTOR SUPPLY, INC.	HUNTINGTON BCH	CA	
11699	CENTRALSEMICONDUCTORCORP	HAUPPAUGE	NY	11788
11892	EVOX/RIFA INC	LINCOLNSHIRE	IL	60015
11946	BKCINTERNATIONALELECTRONICS	LAWRENCE	MA	01841
12186	DALLAS SEMICONDUCTOR CORP	DALLAS	TX	75244
12340	KEMET ELECTRONICS CORPORATION	GREENVILLE	SC	29606
12384	MOLKENBUHR ENTERPRISES INC	SUNNYVALE	CA	94086
12404	XILINX INC	SAN JOSE	CA	95124
12703	CHAMPION TECHNOLOGIES INC	FRANKLIN PARK	IL	60131
12830	KETEMA	BENSALEM	PA	19020
28480	HEWLETT-PACKARD CO CORP HQ	PALO ALTO	CA	94304





HP 8711A OVERALL BLOCK DIAGRAM

# **Schematic Package for 08711-60101 A1 Front Panel Keyboard**

This section contains the replaceable parts list, component location diagram, and circuit schematic for the A1 front panel assembly, HP part number 08711-60101.

**Copyright ©1992 Hewlett-Packard Company  
Printed October 23, 1992  
Printed in USA**

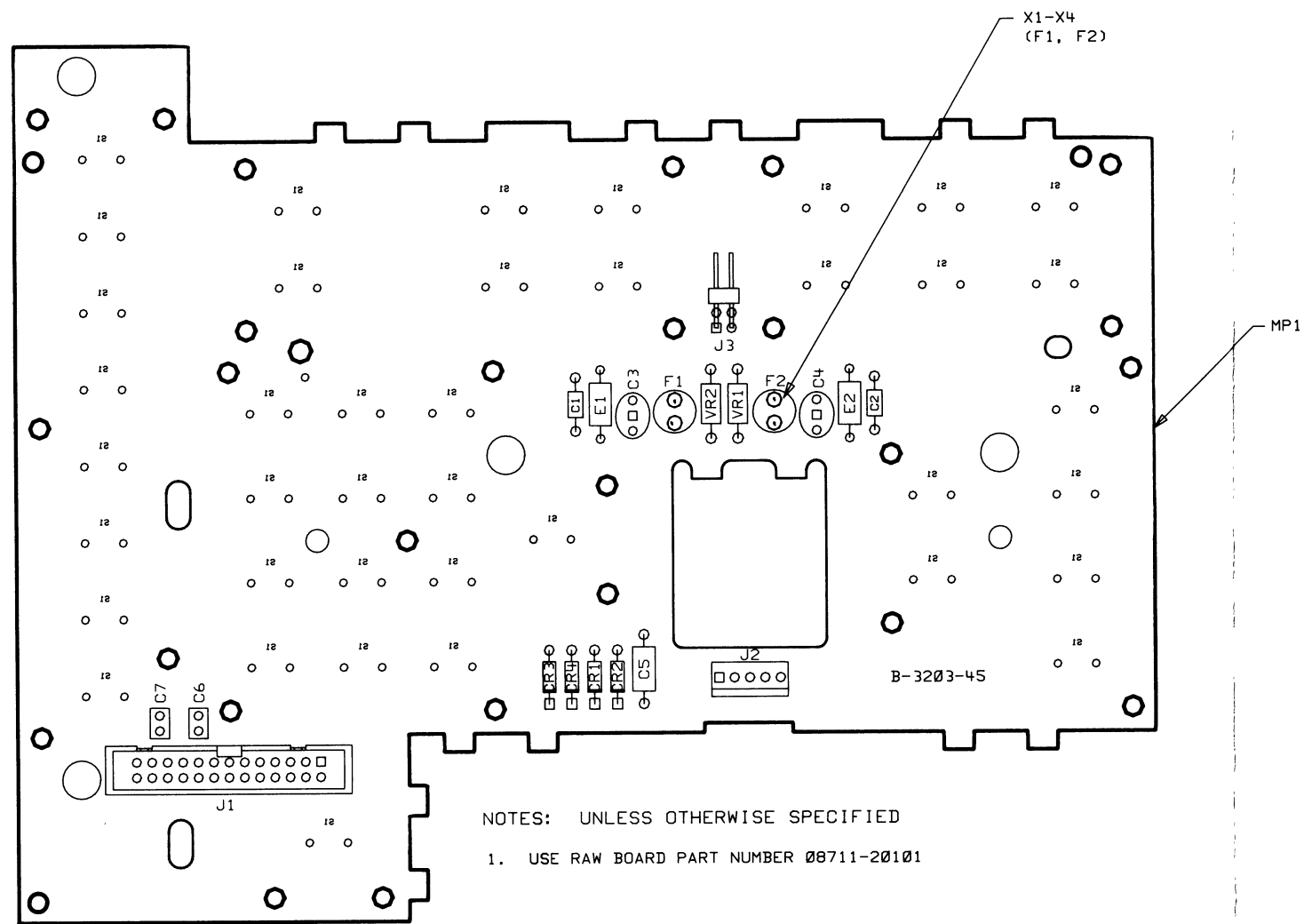




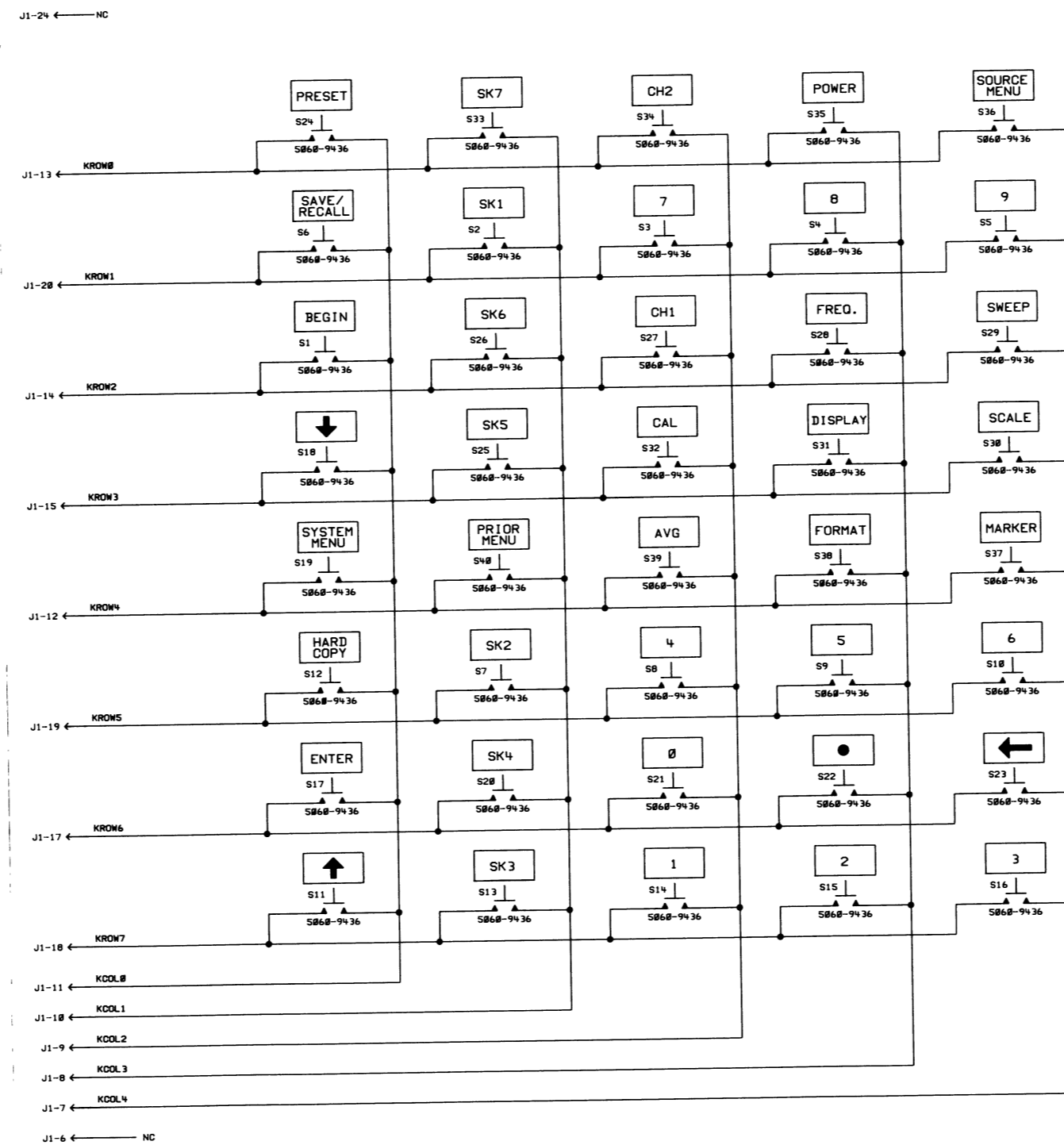
**Replaceable Parts List for A1 Front Panel Assembly, Part Number 08711-60101 (1 of 1)**

Reference Designation	HP Part Number	Qty	Description	Mfr Code	Mfr Part Number
A1	08711-60101	1	BD AY-FRONT PNL	28480	08711-60101
A1C1	0160-4832	1	CAP-FXD 0.01uF ±10% 100 V CER X7R	09939	RPA10X7R103K100V
A1C2	0160-4832	1	CAP-FXD 0.01uF ±10% 100 V CER X7R	09939	RPA10X7R103K100V
A1C3	0180-3813	1	CAP-FXD 10uF ±10% 10 V TA	04200	299D106X9010BB1
A1C4	0180-3813	1	CAP-FXD 10uF ±10% 10 V TA	04200	299D106X9010BB1
A1C5	0160-4835	1	CAP-FXD 0.1uF ±10% 50 V CER X7R	09939	RPA20X7R104K50VPT
A1C6	0160-0570	1	CAP-FXD 220pF ±20% 100 V CER X7R	09939	RPE121-105X7R221M100V
A1C7	0160-0570	1	CAP-FXD 220pF ±20% 100 V CER X7R	09939	RPE121-105X7R221M100V
A1CR1	1901-0050	1	DIODE-SWITCHING 80V 200MA 2NS DO-35		
A1CR2	1901-0050	1	DIODE-SWITCHING 80V 200MA 2NS DO-35		
A1CR3	1901-0050	1	DIODE-SWITCHING 80V 200MA 2NS DO-35		
A1CR4	1901-0050	1	DIODE-SWITCHING 80V 200MA 2NS DO-35		
A1E1	9170-1368	1	CORE-SHIELDING BEAD		
A1E2	9170-1368	1	CORE-SHIELDING BEAD		
A1F1	2110-0424	1	FUSE (INCH) .75A 125V NTD BI	02805	GMW 3/4A
A1F2	2110-0424	1	FUSE (INCH) .75A 125V NTD BI	02805	GMW 3/4A
A1J1	1251-8248	1	CONN-POST TYPE .100-PIN-SPCG 26-CONT		
A1J2	1252-0718	1	CONN-POST TYPE .100-PIN-SPCG 5-CONT	01380	641215-5
A1J3	1251-7819	1	CONN-POST TYPE .100-PIN-SPCG 4-CONT	02946	68021-604
A1MP1	08711-20101	1			
A1MP2	1251-5595	1	POLARIZING KEY-POST CONN	04726	3518
A1MP3	1251-5595	1	POLARIZING KEY-POST CONN	04726	3518
A1VR1	0837-0271	1	VOLTAGE SUPPRESSOR VR=15.3V; VC=25.2V @		
A1VR2	0837-0271	1	VOLTAGE SUPPRESSOR VR=15.3V; VC=25.2V @		
A1X1	1251-2313	1	CONNECTOR-SGL CONT SKT .04-IN-BSC-SZ RND	01380	3-332070-5
A1X2	1251-2313	1	CONNECTOR-SGL CONT SKT .04-IN-BSC-SZ RND	01380	3-332070-5
A1X3	1251-2313	1	CONNECTOR-SGL CONT SKT .04-IN-BSC-SZ RND	01380	3-332070-5
A1X4	1251-2313	1	CONNECTOR-SGL CONT SKT .04-IN-BSC-SZ RND	01380	3-332070-5

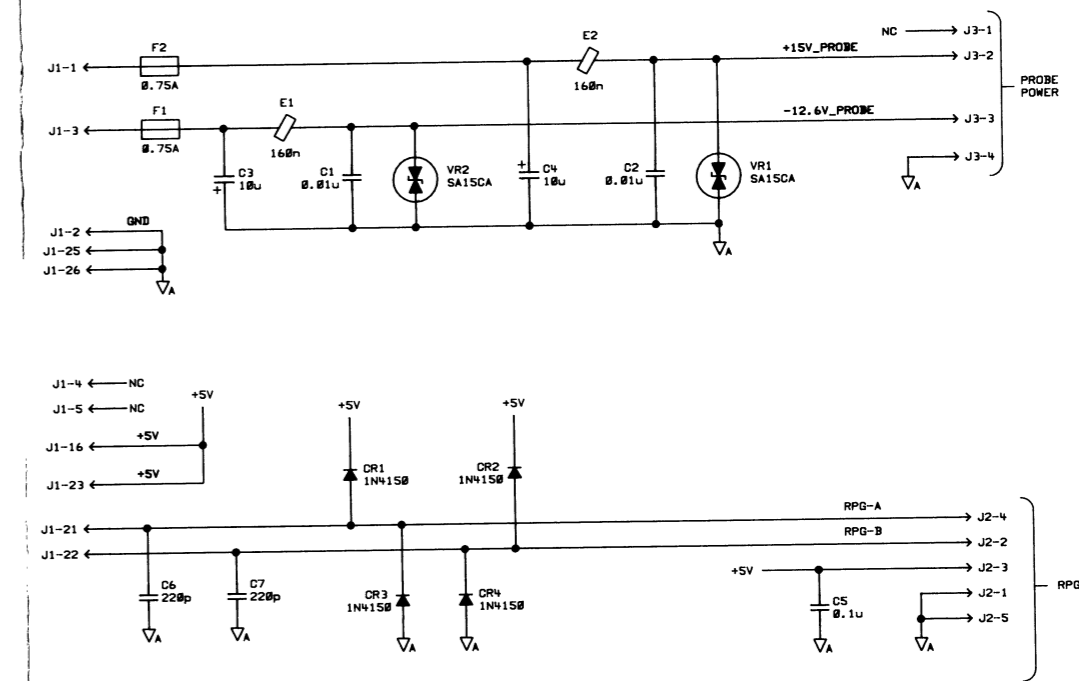




NOTES: UNLESS OTHERWISE SPECIFIED  
 1. USE RAW BOARD PART NUMBER 08711-20101



NOTES: UNLESS OTHERWISE SPECIFIED.  
 1. ALL RESISTOR VALUES ARE IN OHMS.  
 2. ALL CAPACITOR VALUES ARE IN MICROFARADS.  
 3. ALL INDUCTOR VALUES ARE IN MICROHENRIES.  
 4. SWITCHES ARE SHOWN FOR REFERENCE ONLY.



# **Schematic Package for 08711 – 60002 A2 CPU**

This section contains the replaceable parts list, component location diagram, and circuit schematic for the A2 CPU assembly, HP part number 08711-60002. To help with troubleshooting, there is also a list which shows the major test points and provides information on the expected measurement at each test point.

**Copyright ©1992 Hewlett-Packard Company  
Printed October 23, 1992  
Printed in USA**





**Replaceable Parts List for A2 CPU Assembly, Part Number 08711-60002 (1 of 11)**

Reference Designation	HP Part Number	Qty	Description	Mfr Code	Mfr Part Number
A1	08711-60101	1	BD AY-FRONT PNL	28480	08711-60101
xx	08711-60002	1	BD AY-CPU	28480	08711-60002
BT1	1420-0338	1	BATTERY 3V 1.2A-HR LITHIUM POLYCARBON	08709	BR2/3AE2SP
C1	0160-4084	1	CAP-FXD 0.1uF ±20% 50 V CER X7R	09939	RPE122-139X7R104M50V
C2	0180-3813	1	CAP-FXD 10uF ±10% 10 V TA	04200	299D106X9010BB1
C3	0160-4084	1	CAP-FXD 0.1uF ±20% 50 V CER X7R	09939	RPE122-139X7R104M50V
C4	0160-4084	1	CAP-FXD 0.1uF ±20% 50 V CER X7R	09939	RPE122-139X7R104M50V
C5	0160-4084	1	CAP-FXD 0.1uF ±20% 50 V CER X7R	09939	RPE122-139X7R104M50V
C6	0180-3813	1	CAP-FXD 10uF ±10% 10 V TA	04200	299D106X9010BB1
C7	0160-4084	1	CAP-FXD 0.1uF ±20% 50 V CER X7R	09939	RPE122-139X7R104M50V
C8	0160-4084	1	CAP-FXD 0.1uF ±20% 50 V CER X7R	09939	RPE122-139X7R104M50V
C9	0180-3813	1	CAP-FXD 10uF ±10% 10 V TA	04200	299D106X9010BB1
C10	0160-4084	1	CAP-FXD 0.1uF ±20% 50 V CER X7R	09939	RPE122-139X7R104M50V
C11	0160-4084	1	CAP-FXD 0.1uF ±20% 50 V CER X7R	09939	RPE122-139X7R104M50V
C12	0180-3813	1	CAP-FXD 10uF ±10% 10 V TA	04200	299D106X9010BB1
C14	0160-4084	1	CAP-FXD 0.1uF ±20% 50 V CER X7R	09939	RPE122-139X7R104M50V
C15	0180-3941	1	CAP-FXD 100uF ±10% 10 V TA		
C16	0160-4084	1	CAP-FXD 0.1uF ±20% 50 V CER X7R	09939	RPE122-139X7R104M50V
C17	0160-3879	1	CAP-FXD 0.01uF ±20% 100 V CER X7R	09939	RPE121-105X7R103M100V
C18	0160-3879	1	CAP-FXD 0.01uF ±20% 100 V CER X7R	09939	RPE121-105X7R103M100V
C19	0160-3879	1	CAP-FXD 0.01uF ±20% 100 V CER X7R	09939	RPE121-105X7R103M100V
C20	0160-3879	1	CAP-FXD 0.01uF ±20% 100 V CER X7R	09939	RPE121-105X7R103M100V
C21	0160-3879	1	CAP-FXD 0.01uF ±20% 100 V CER X7R	09939	RPE121-105X7R103M100V
C22	0160-3879	1	CAP-FXD 0.01uF ±20% 100 V CER X7R	09939	RPE121-105X7R103M100V
C23	0160-3879	1	CAP-FXD 0.01uF ±20% 100 V CER X7R	09939	RPE121-105X7R103M100V
C24	0160-4084	1	CAP-FXD 0.1uF ±20% 50 V CER X7R	09939	RPE122-139X7R104M50V
C25	0160-4084	1	CAP-FXD 0.1uF ±20% 50 V CER X7R	09939	RPE122-139X7R104M50V
C26	0160-4084	1	CAP-FXD 0.1uF ±20% 50 V CER X7R	09939	RPE122-139X7R104M50V
C27	0160-4835	1	CAP-FXD 0.1uF ±10% 50 V CER X7R	09939	RPA20X7R104K50VPT
C28	0160-4084	1	CAP-FXD 0.1uF ±20% 50 V CER X7R	09939	RPE122-139X7R104M50V
C29	0160-4835	1	CAP-FXD 0.1uF ±10% 50 V CER X7R	09939	RPA20X7R104K50VPT
C30	0160-4084	1	CAP-FXD 0.1uF ±20% 50 V CER X7R	09939	RPE122-139X7R104M50V
C31	0160-4084	1	CAP-FXD 0.1uF ±20% 50 V CER X7R	09939	RPE122-139X7R104M50V
C32	0160-4084	1	CAP-FXD 0.1uF ±20% 50 V CER X7R	09939	RPE122-139X7R104M50V
C33	0160-4835	1	CAP-FXD 0.1uF ±10% 50 V CER X7R	09939	RPA20X7R104K50VPT
C34	0160-4835	1	CAP-FXD 0.1uF ±10% 50 V CER X7R	09939	RPA20X7R104K50VPT
C35	0160-4835	1	CAP-FXD 0.1uF ±10% 50 V CER X7R	09939	RPA20X7R104K50VPT
C36	0160-4835	1	CAP-FXD 0.1uF ±10% 50 V CER X7R	09939	RPA20X7R104K50VPT
C37	0160-4084	1	CAP-FXD 0.1uF ±20% 50 V CER X7R	09939	RPE122-139X7R104M50V
C38	0160-4835	1	CAP-FXD 0.1uF ±10% 50 V CER X7R	09939	RPA20X7R104K50VPT
C39	0160-4084	1	CAP-FXD 0.1uF ±20% 50 V CER X7R	09939	RPE122-139X7R104M50V
C40	0160-4835	1	CAP-FXD 0.1uF ±10% 50 V CER X7R	09939	RPA20X7R104K50VPT
C41	0160-4084	1	CAP-FXD 0.1uF ±20% 50 V CER X7R	09939	RPE122-139X7R104M50V
C42	0160-4084	1	CAP-FXD 0.1uF ±20% 50 V CER X7R	09939	RPE122-139X7R104M50V
C43	0160-4084	1	CAP-FXD 0.1uF ±20% 50 V CER X7R	09939	RPE122-139X7R104M50V
C44	0160-4084	1	CAP-FXD 0.1uF ±20% 50 V CER X7R	09939	RPE122-139X7R104M50V
C45	0180-3771	1	CAP-FXD 1uF ±10% 35 V TA	04200	299D105X9035AB1
C46	0160-4835	1	CAP-FXD 0.1uF ±10% 50 V CER X7R	09939	RPA20X7R104K50VPT
C47	0160-4084	1	CAP-FXD 0.1uF ±20% 50 V CER X7R	09939	RPE122-139X7R104M50V
C48	0160-4084	1	CAP-FXD 0.1uF ±20% 50 V CER X7R	09939	RPE122-139X7R104M50V
C49	0160-4084	1	CAP-FXD 0.1uF ±20% 50 V CER X7R	09939	RPE122-139X7R104M50V
C50	0160-4084	1	CAP-FXD 0.1uF ±20% 50 V CER X7R	09939	RPE122-139X7R104M50V
C51	0160-4084	1	CAP-FXD 0.1uF ±20% 50 V CER X7R	09939	RPE122-139X7R104M50V
C52	0160-4084	1	CAP-FXD 0.1uF ±20% 50 V CER X7R	09939	RPE122-139X7R104M50V
C53	0160-4084	1	CAP-FXD 0.1uF ±20% 50 V CER X7R	09939	RPE122-139X7R104M50V
C54	0160-4835	1	CAP-FXD 0.1uF ±10% 50 V CER X7R	09939	RPA20X7R104K50VPT
C55	0160-4084	1	CAP-FXD 0.1uF ±20% 50 V CER X7R	09939	RPE122-139X7R104M50V
C56	0160-4084	1	CAP-FXD 0.1uF ±20% 50 V CER X7R	09939	RPE122-139X7R104M50V
C57	0160-4084	1	CAP-FXD 0.1uF ±20% 50 V CER X7R	09939	RPE122-139X7R104M50V
C58	0160-4084	1	CAP-FXD 0.1uF ±20% 50 V CER X7R	09939	RPE122-139X7R104M50V
C59	0160-4084	1	CAP-FXD 0.1uF ±20% 50 V CER X7R	09939	RPE122-139X7R104M50V
C60	0160-4084	1	CAP-FXD 0.1uF ±20% 50 V CER X7R	09939	RPE122-139X7R104M50V
C62	0160-4084	1	CAP-FXD 0.1uF ±20% 50 V CER X7R	09939	RPE122-139X7R104M50V
C64	0180-3771	1	CAP-FXD 1uF ±10% 35 V TA	04200	299D105X9035AB1
C65	0160-4084	1	CAP-FXD 0.1uF ±20% 50 V CER X7R	09939	RPE122-139X7R104M50V
C66	0160-3874	1	CAP-FXD 10pF ±5% 200 V CER C0G	09939	RPE121-105C0G100D200V
C67	0160-3875	1	CAP-FXD 22pF ±5% 200 V CER C0G	09939	RPE121-105C0G220J200V

**Replaceable Parts List for A2 CPU Assembly, Part Number 08711-60002 (2 of 11)**

Reference Designation	HP Part Number	Qty	Description	Mfr Code	Mfr Part Number
C68	0160-3878	1	CAP-FXD 1000pF ±20% 100 V CER X7R	09939	RPE121-105X7R102M100V
C69	0160-4953	1	CAP-FXD 0.027uF ±5% 50 V CER COG	09939	RPE114-130C0G273J50V
C70	0160-4953	1	CAP-FXD 0.027uF ±5% 50 V CER COG	09939	RPE114-130C0G273J50V
C71	0160-4084	1	CAP-FXD 0.1uF ±20% 50 V CER X7R	09939	RPE122-139X7R104M50V
C72	0160-4835	1	CAP-FXD 0.1uF ±10% 50 V CER X7R	09939	RPA20X7R104K50VPT
C73	0160-3879	1	CAP-FXD 0.01uF ±20% 100 V CER X7R	09939	RPE121-105X7R103M100V
C74	0160-4832	1	CAP-FXD 0.01uF ±10% 100 V CER X7R	09939	RPA10X7R103K100V
C76	0160-4084	1	CAP-FXD 0.1uF ±20% 50 V CER X7R	09939	RPE122-139X7R104M50V
C77	0160-4084	1	CAP-FXD 0.1uF ±20% 50 V CER X7R	09939	RPE122-139X7R104M50V
C78	0160-4084	1	CAP-FXD 0.1uF ±20% 50 V CER X7R	09939	RPE122-139X7R104M50V
C79	0160-4835	1	CAP-FXD 0.1uF ±10% 50 V CER X7R	09939	RPA20X7R104K50VPT
C80	0160-4084	1	CAP-FXD 0.1uF ±20% 50 V CER X7R	09939	RPE122-139X7R104M50V
C81	0160-4084	1	CAP-FXD 0.1uF ±20% 50 V CER X7R	09939	RPE122-139X7R104M50V
C82	0160-3879	1	CAP-FXD 0.01uF ±20% 100 V CER X7R	09939	RPE121-105X7R103M100V
C83	0160-4084	1	CAP-FXD 0.1uF ±20% 50 V CER X7R	09939	RPE122-139X7R104M50V
C84	0160-4084	1	CAP-FXD 0.1uF ±20% 50 V CER X7R	09939	RPE122-139X7R104M50V
C85	0160-4084	1	CAP-FXD 0.1uF ±20% 50 V CER X7R	09939	RPE122-139X7R104M50V
C86	0160-4084	1	CAP-FXD 0.1uF ±20% 50 V CER X7R	09939	RPE122-139X7R104M50V
C87	0160-4084	1	CAP-FXD 0.1uF ±20% 50 V CER X7R	09939	RPE122-139X7R104M50V
C88	0160-4084	1	CAP-FXD 0.1uF ±20% 50 V CER X7R	09939	RPE122-139X7R104M50V
C89	0160-4084	1	CAP-FXD 0.1uF ±20% 50 V CER X7R	09939	RPE122-139X7R104M50V
C90	0160-4084	1	CAP-FXD 0.1uF ±20% 50 V CER X7R	09939	RPE122-139X7R104M50V
C91	0160-4084	1	CAP-FXD 0.1uF ±20% 50 V CER X7R	09939	RPE122-139X7R104M50V
C92	0160-4084	1	CAP-FXD 0.1uF ±20% 50 V CER X7R	09939	RPE122-139X7R104M50V
C93	0160-4084	1	CAP-FXD 0.1uF ±20% 50 V CER X7R	09939	RPE122-139X7R104M50V
C94	0160-4084	1	CAP-FXD 0.1uF ±20% 50 V CER X7R	09939	RPE122-139X7R104M50V
C95	0160-4835	1	CAP-FXD 0.1uF ±10% 50 V CER X7R	09939	RPA20X7R104K50VPT
C96	0160-4084	1	CAP-FXD 0.1uF ±20% 50 V CER X7R	09939	RPE122-139X7R104M50V
C97	0160-4084	1	CAP-FXD 0.1uF ±20% 50 V CER X7R	09939	RPE122-139X7R104M50V
C98	0160-4084	1	CAP-FXD 0.1uF ±20% 50 V CER X7R	09939	RPE122-139X7R104M50V
C99	0160-4084	1	CAP-FXD 0.1uF ±20% 50 V CER X7R	09939	RPE122-139X7R104M50V
C100	0160-4084	1	CAP-FXD 0.1uF ±20% 50 V CER X7R	09939	RPE122-139X7R104M50V
C101	0160-4084	1	CAP-FXD 0.1uF ±20% 50 V CER X7R	09939	RPE122-139X7R104M50V
C102	0160-4084	1	CAP-FXD 0.1uF ±20% 50 V CER X7R	09939	RPE122-139X7R104M50V
C103	0160-4084	1	CAP-FXD 0.1uF ±20% 50 V CER X7R	09939	RPE122-139X7R104M50V
C104	0160-4084	1	CAP-FXD 0.1uF ±20% 50 V CER X7R	09939	RPE122-139X7R104M50V
C105	0160-4084	1	CAP-FXD 0.1uF ±20% 50 V CER X7R	09939	RPE122-139X7R104M50V
C106	0160-4084	1	CAP-FXD 0.1uF ±20% 50 V CER X7R	09939	RPE122-139X7R104M50V
C107	0160-4084	1	CAP-FXD 0.1uF ±20% 50 V CER X7R	09939	RPE122-139X7R104M50V
C108	0160-4084	1	CAP-FXD 0.1uF ±20% 50 V CER X7R	09939	RPE122-139X7R104M50V
C109	0160-4084	1	CAP-FXD 0.1uF ±20% 50 V CER X7R	09939	RPE122-139X7R104M50V
C110	0160-4084	1	CAP-FXD 0.1uF ±20% 50 V CER X7R	09939	RPE122-139X7R104M50V
C111	0160-4835	1	CAP-FXD 0.1uF ±10% 50 V CER X7R	09939	RPA20X7R104K50VPT
C112	0160-4835	1	CAP-FXD 0.1uF ±10% 50 V CER X7R	09939	RPA20X7R104K50VPT
C113	0160-4835	1	CAP-FXD 0.1uF ±10% 50 V CER X7R	09939	RPA20X7R104K50VPT
C114	0160-4084	1	CAP-FXD 0.1uF ±20% 50 V CER X7R	09939	RPE122-139X7R104M50V
C115	0160-4084	1	CAP-FXD 0.1uF ±20% 50 V CER X7R	09939	RPE122-139X7R104M50V
C116	0160-4084	1	CAP-FXD 0.1uF ±20% 50 V CER X7R	09939	RPE122-139X7R104M50V
C117	0160-4084	1	CAP-FXD 0.1uF ±20% 50 V CER X7R	09939	RPE122-139X7R104M50V
C118	0160-4084	1	CAP-FXD 0.1uF ±20% 50 V CER X7R	09939	RPE122-139X7R104M50V
C119	0160-4084	1	CAP-FXD 0.1uF ±20% 50 V CER X7R	09939	RPE122-139X7R104M50V
C120	0160-4084	1	CAP-FXD 0.1uF ±20% 50 V CER X7R	09939	RPE122-139X7R104M50V
C122	0160-4084	1	CAP-FXD 0.1uF ±20% 50 V CER X7R	09939	RPE122-139X7R104M50V
C123	0160-4084	1	CAP-FXD 0.1uF ±20% 50 V CER X7R	09939	RPE122-139X7R104M50V
C124	0160-4084	1	CAP-FXD 0.1uF ±20% 50 V CER X7R	09939	RPE122-139X7R104M50V
C125	0160-4084	1	CAP-FXD 0.1uF ±20% 50 V CER X7R	09939	RPE122-139X7R104M50V
C126	0160-4084	1	CAP-FXD 0.1uF ±20% 50 V CER X7R	09939	RPE122-139X7R104M50V
C127	0160-4835	1	CAP-FXD 0.1uF ±10% 50 V CER X7R	09939	RPA20X7R104K50VPT
C128	0160-4084	1	CAP-FXD 0.1uF ±20% 50 V CER X7R	09939	RPE122-139X7R104M50V
C129	0160-4084	1	CAP-FXD 0.1uF ±20% 50 V CER X7R	09939	RPE122-139X7R104M50V
C130	0160-4084	1	CAP-FXD 0.1uF ±20% 50 V CER X7R	09939	RPE122-139X7R104M50V
C131	0160-4084	1	CAP-FXD 0.1uF ±20% 50 V CER X7R	09939	RPE122-139X7R104M50V
C132	0160-4084	1	CAP-FXD 0.1uF ±20% 50 V CER X7R	09939	RPE122-139X7R104M50V
C133	0160-4084	1	CAP-FXD 0.1uF ±20% 50 V CER X7R	09939	RPE122-139X7R104M50V
C134	0160-4084	1	CAP-FXD 0.1uF ±20% 50 V CER X7R	09939	RPE122-139X7R104M50V
C135	0160-4835	1	CAP-FXD 0.1uF ±10% 50 V CER X7R	09939	RPA20X7R104K50VPT
C136	0160-4835	1	CAP-FXD 0.1uF ±10% 50 V CER X7R	09939	RPA20X7R104K50VPT

**Replaceable Parts List for A2 CPU Assembly, Part Number 08711-60002 (3 of 11)**

Reference Designation	HP Part Number	Qty	Description	Mfr Code	Mfr Part Number
C137	0160-4084	1	CAP-FXD 0.1uF ±20% 50 V CER X7R	09939	RPE122-139X7R104M50V
C138	0160-4084	1	CAP-FXD 0.1uF ±20% 50 V CER X7R	09939	RPE122-139X7R104M50V
C139	0160-4084	1	CAP-FXD 0.1uF ±20% 50 V CER X7R	09939	RPE122-139X7R104M50V
C140	0180-3813	1	CAP-FXD 10uF ±10% 10 V TA	04200	299D106X9010BB1
C141	0180-3813	1	CAP-FXD 10uF ±10% 10 V TA	04200	299D106X9010BB1
C142	0180-3813	1	CAP-FXD 10uF ±10% 10 V TA	04200	299D106X9010BB1
C143	0180-3813	1	CAP-FXD 10uF ±10% 10 V TA	04200	299D106X9010BB1
C144	0180-3813	1	CAP-FXD 10uF ±10% 10 V TA	04200	299D106X9010BB1
C145	0180-3813	1	CAP-FXD 10uF ±10% 10 V TA	04200	299D106X9010BB1
C146	0160-4084	1	CAP-FXD 0.1uF ±20% 50 V CER X7R	09939	RPE122-139X7R104M50V
C147	0160-4835	1	CAP-FXD 0.1uF ±10% 50 V CER X7R	09939	RPA20X7R104K50VPT
C148	0160-3879	1	CAP-FXD 0.01uF ±20% 100 V CER X7R	09939	RPE121-105X7R103M100V
C150	0160-4814	1	CAP-FXD 150pF ±5% 100 V CER C0G	09939	RPA10C0G151J100V
C151	0160-4084	1	CAP-FXD 0.1uF ±20% 50 V CER X7R	09939	RPE122-139X7R104M50V
C152	0160-4084	1	CAP-FXD 0.1uF ±20% 50 V CER X7R	09939	RPE122-139X7R104M50V
C153	0160-4084	1	CAP-FXD 0.1uF ±20% 50 V CER X7R	09939	RPE122-139X7R104M50V
C154	0160-4084	1	CAP-FXD 0.1uF ±20% 50 V CER X7R	09939	RPE122-139X7R104M50V
C155	0180-3771	1	CAP-FXD 1uF ±10% 35 V TA	04200	299D105X9035AB1
C156	0160-0572	1	CAP-FXD 2200pF ±20% 100 V CER X7R	09939	RPE121-105X7R222M100V
C157	0160-0572	1	CAP-FXD 2200pF ±20% 100 V CER X7R	09939	RPE121-105X7R222M100V
C158	0160-0572	1	CAP-FXD 2200pF ±20% 100 V CER X7R	09939	RPE121-105X7R222M100V
C159	0160-0572	1	CAP-FXD 2200pF ±20% 100 V CER X7R	09939	RPE121-105X7R222M100V
C160	0160-0572	1	CAP-FXD 2200pF ±20% 100 V CER X7R	09939	RPE121-105X7R222M100V
C161	0160-0572	1	CAP-FXD 2200pF ±20% 100 V CER X7R	09939	RPE121-105X7R222M100V
C162	0160-0572	1	CAP-FXD 2200pF ±20% 100 V CER X7R	09939	RPE121-105X7R222M100V
C163	0160-0572	1	CAP-FXD 2200pF ±20% 100 V CER X7R	09939	RPE121-105X7R222M100V
C164	0160-0572	1	CAP-FXD 2200pF ±20% 100 V CER X7R	09939	RPE121-105X7R222M100V
C165	0180-3771	1	CAP-FXD 1uF ±10% 35 V TA	04200	299D105X9035AB1
C166	0160-4084	1	CAP-FXD 0.1uF ±20% 50 V CER X7R	09939	RPE122-139X7R104M50V
C167	0180-3813	1	CAP-FXD 10uF ±10% 10 V TA	04200	299D106X9010BB1
C168	0160-4084	1	CAP-FXD 0.1uF ±20% 50 V CER X7R	09939	RPE122-139X7R104M50V
C169	0160-3879	1	CAP-FXD 0.01uF ±20% 100 V CER X7R	09939	RPE121-105X7R103M100V
C170	0160-4084	1	CAP-FXD 0.1uF ±20% 50 V CER X7R	09939	RPE122-139X7R104M50V
C171	0160-3879	1	CAP-FXD 0.01uF ±20% 100 V CER X7R	09939	RPE121-105X7R103M100V
C172	0160-3879	1	CAP-FXD 0.01uF ±20% 100 V CER X7R	09939	RPE121-105X7R103M100V
C173	0180-3813	1	CAP-FXD 10uF ±10% 10 V TA	04200	299D106X9010BB1
C174	0180-3813	1	CAP-FXD 10uF ±10% 10 V TA	04200	299D106X9010BB1
C175	0180-3813	1	CAP-FXD 10uF ±10% 10 V TA	04200	299D106X9010BB1
C176	0180-3813	1	CAP-FXD 10uF ±10% 10 V TA	04200	299D106X9010BB1
C177	0180-3813	1	CAP-FXD 10uF ±10% 10 V TA	04200	299D106X9010BB1
C180	0160-4953	1	CAP-FXD 0.027uF ±5% 50 V CER C0G	09939	RPE114-130C0G273J50V
C181	0160-4835	1	CAP-FXD 0.1uF ±10% 50 V CER X7R	09939	RPA20X7R104K50VPT
C182	0160-4084	1	CAP-FXD 0.1uF ±20% 50 V CER X7R	09939	RPE122-139X7R104M50V
C183	0160-4835	1	CAP-FXD 0.1uF ±10% 50 V CER X7R	09939	RPA20X7R104K50VPT
C184	0160-4835	1	CAP-FXD 0.1uF ±10% 50 V CER X7R	09939	RPA20X7R104K50VPT
C185	0160-4084	1	CAP-FXD 0.1uF ±20% 50 V CER X7R	09939	RPE122-139X7R104M50V
C186	0160-4084	1	CAP-FXD 0.1uF ±20% 50 V CER X7R	09939	RPE122-139X7R104M50V
C187	0160-4835	1	CAP-FXD 0.1uF ±10% 50 V CER X7R	09939	RPA20X7R104K50VPT
C188	0160-4835	1	CAP-FXD 0.1uF ±10% 50 V CER X7R	09939	RPA20X7R104K50VPT
C189	0160-4389	1	CAP-FXD 100pF ±5% 200 V CER C0G	09939	RPE121-105C0G101J200V
C191	0160-3879	1	CAP-FXD 0.01uF ±20% 100 V CER X7R	09939	RPE121-105X7R103M100V
C192	0160-3879	1	CAP-FXD 0.01uF ±20% 100 V CER X7R	09939	RPE121-105X7R103M100V
C193	0160-3879	1	CAP-FXD 0.01uF ±20% 100 V CER X7R	09939	RPE121-105X7R103M100V
C194	0160-3879	1	CAP-FXD 0.01uF ±20% 100 V CER X7R	09939	RPE121-105X7R103M100V
C195	0160-4084	1	CAP-FXD 0.1uF ±20% 50 V CER X7R	09939	RPE122-139X7R104M50V
C196	0160-4084	1	CAP-FXD 0.1uF ±20% 50 V CER X7R	09939	RPE122-139X7R104M50V
C197	0160-4084	1	CAP-FXD 0.1uF ±20% 50 V CER X7R	09939	RPE122-139X7R104M50V
C201	0160-4084	1	CAP-FXD 0.1uF ±20% 50 V CER X7R	09939	RPE122-139X7R104M50V
C202	0160-4084	1	CAP-FXD 0.1uF ±20% 50 V CER X7R	09939	RPE122-139X7R104M50V
C203	0160-4084	1	CAP-FXD 0.1uF ±20% 50 V CER X7R	09939	RPE122-139X7R104M50V
C204	0160-4084	1	CAP-FXD 0.1uF ±20% 50 V CER X7R	09939	RPE122-139X7R104M50V
C205	0160-4084	1	CAP-FXD 0.1uF ±20% 50 V CER X7R	09939	RPE122-139X7R104M50V
C206	0160-4084	1	CAP-FXD 0.1uF ±20% 50 V CER X7R	09939	RPE122-139X7R104M50V
C207	0160-4084	1	CAP-FXD 0.1uF ±20% 50 V CER X7R	09939	RPE122-139X7R104M50V
C208	0160-4084	1	CAP-FXD 0.1uF ±20% 50 V CER X7R	09939	RPE122-139X7R104M50V
C209	0160-4084	1	CAP-FXD 0.1uF ±20% 50 V CER X7R	09939	RPE122-139X7R104M50V
C210	0160-4084	1	CAP-FXD 0.1uF ±20% 50 V CER X7R	09939	RPE122-139X7R104M50V

**Replaceable Parts List for A2 CPU Assembly, Part Number 08711-60002 (4 of 11)**

Reference Designation	HP Part Number	Qty	Description	Mfr Code	Mfr Part Number
C223	0180-3771	1	CAP-FXD 1uF ±10% 35 V TA	04200	299D105X9035AB1
C224	0160-4084	1	CAP-FXD 0.1uF ±20% 50 V CER X7R	09939	RPE122-139X7R104M50V
C225	0180-3771	1	CAP-FXD 1uF ±10% 35 V TA	04200	299D105X9035AB1
C226	0160-4084	1	CAP-FXD 0.1uF ±20% 50 V CER X7R	09939	RPE122-139X7R104M50V
C229	0160-4084	1	CAP-FXD 0.1uF ±20% 50 V CER X7R	09939	RPE122-139X7R104M50V
C231	0160-4084	1	CAP-FXD 0.1uF ±20% 50 V CER X7R	09939	RPE122-139X7R104M50V
C232	0160-4084	1	CAP-FXD 0.1uF ±20% 50 V CER X7R	09939	RPE122-139X7R104M50V
C233	0160-4084	1	CAP-FXD 0.1uF ±20% 50 V CER X7R	09939	RPE122-139X7R104M50V
C234	0180-3831	1	CAP-FXD 10uF ±10% 35 V TA	04200	299D106X9035DB1
C237	0180-3941	1	CAP-FXD 100uF ±10% 10 V TA		
C241	0180-3813	1	CAP-FXD 10uF ±10% 10 V TA	04200	299D106X9010BB1
C242	0160-4084	1	CAP-FXD 0.1uF ±20% 50 V CER X7R	09939	RPE122-139X7R104M50V
C243	0160-3878	1	CAP-FXD 1000pF ±20% 100 V CER X7R	09939	RPE121-105X7R102M100V
C244	0160-3878	1	CAP-FXD 1000pF ±20% 100 V CER X7R	09939	RPE121-105X7R102M100V
C245	0160-3878	1	CAP-FXD 1000pF ±20% 100 V CER X7R	09939	RPE121-105X7R102M100V
C246	0180-3813	1	CAP-FXD 10uF ±10% 10 V TA	04200	299D106X9010BB1
C247	0160-3878	1	CAP-FXD 1000pF ±20% 100 V CER X7R	09939	RPE121-105X7R102M100V
CR1	1901-0033	1	DIODE-GEN PRP 180V 200MA DO-35		
CR2	1901-0033	1	DIODE-GEN PRP 180V 200MA DO-35		
CR3	1906-0229	1	DIODE-ARRAY 50V 400MA TO-116		
CR4	1906-0229	1	DIODE-ARRAY 50V 400MA TO-116		
CR5	1906-0229	1	DIODE-ARRAY 50V 400MA TO-116		
CR6	1906-0229	1	DIODE-ARRAY 50V 400MA TO-116		
CR7	1906-0229	1	DIODE-ARRAY 50V 400MA TO-116		
CR8	1906-0229	1	DIODE-ARRAY 50V 400MA TO-116		
CR9	1901-0033	1	DIODE-GEN PRP 180V 200MA DO-35		
CR10	1901-0050	1	DIODE-SWITCHING 80V 200MA 2NS DO-35		
CR11	1901-0050	1	DIODE-SWITCHING 80V 200MA 2NS DO-35		
CR12	1901-0033	1	DIODE-GEN PRP 180V 200MA DO-35		
CR13	1901-0033	1	DIODE-GEN PRP 180V 200MA DO-35		
CR14	1901-0033	1	DIODE-GEN PRP 180V 200MA DO-35		
CR15	1901-0033	1	DIODE-GEN PRP 180V 200MA DO-35		
CR16	1906-0229	1	DIODE-ARRAY 50V 400MA TO-116		
CR17	1906-0229	1	DIODE-ARRAY 50V 400MA TO-116		
CR18	1901-0731	1	DIODE-PWR RECT 400V 1A	06650	
CR19	1901-0731	1	DIODE-PWR RECT 400V 1A	06650	
CR20	1901-0033	1	DIODE-GEN PRP 180V 200MA DO-35		
DS1	1990-0918	1	DISPLAY-NUM-SEG 1-CHAR. 3-H RED		
DS2	1990-0486	1	LED-LAMP LUM-INT=2MCD IF=25MA-MAX BVR=5V		
DS3	1990-0485	1	LED-LAMP LUM-INT=2MCD IF=30MA-MAX BVR=5V		
DS4	1990-0487	1	LED-LAMP LUM-INT=2MCD BVR=5V		
DS6	1990-0485	1	LED-LAMP LUM-INT=2MCD IF=30MA-MAX BVR=5V		
DS7	1990-0485	1	LED-LAMP LUM-INT=2MCD IF=30MA-MAX BVR=5V		
DS21	1990-0485	1	LED-LAMP LUM-INT=2MCD IF=30MA-MAX BVR=5V		
DS22	1990-0485	1	LED-LAMP LUM-INT=2MCD IF=30MA-MAX BVR=5V		
DS23	1990-0485	1	LED-LAMP LUM-INT=2MCD IF=30MA-MAX BVR=5V		
DS24	1990-0485	1	LED-LAMP LUM-INT=2MCD IF=30MA-MAX BVR=5V		
DS63	1990-0652	1	LED-LAMP ARRAY LUM-INT=200UCD IF=5MA-MAX		
DS64	1990-0652	1	LED-LAMP ARRAY LUM-INT=200UCD IF=5MA-MAX		
DS65	1990-0652	1	LED-LAMP ARRAY LUM-INT=200UCD IF=5MA-MAX		
DS111	1990-0652	1	LED-LAMP ARRAY LUM-INT=200UCD IF=5MA-MAX		
DS141	1990-0485	1	LED-LAMP LUM-INT=2MCD IF=30MA-MAX BVR=5V		
E1	9170-1368	1	CORE-SHIELDING BEAD		
E2	9170-1368	1	CORE-SHIELDING BEAD		
E3	9170-1368	1	CORE-SHIELDING BEAD		
E7	9170-1368	1	CORE-SHIELDING BEAD		
E8	9170-1368	1	CORE-SHIELDING BEAD		
E10	9170-1368	1	CORE-SHIELDING BEAD		
E11	9170-1368	1	CORE-SHIELDING BEAD		
E12	9170-1368	1	CORE-SHIELDING BEAD		
E13	9170-1368	1	CORE-SHIELDING BEAD		
E14	9170-1368	1	CORE-SHIELDING BEAD		
E15	9170-1368	1	CORE-SHIELDING BEAD		
E16	9170-1368	1	CORE-SHIELDING BEAD		
E17	9170-1368	1	CORE-SHIELDING BEAD		
E18	9170-1368	1	CORE-SHIELDING BEAD		
E19	9170-1368	1	CORE-SHIELDING BEAD		

**Replaceable Parts List for A2 CPU Assembly, Part Number 08711-60002 (5 of 11)**

Reference Designation	HP Part Number	Qty	Description	Mfr Code	Mfr Part Number
E20	9170-1368	1	CORE-SHIELDING BEAD		
E21	9170-1368	1	CORE-SHIELDING BEAD		
E22	9170-1368	1	CORE-SHIELDING BEAD		
E23	9170-1368	1	CORE-SHIELDING BEAD		
E24	9170-1368	1	CORE-SHIELDING BEAD		
E25	9170-1368	1	CORE-SHIELDING BEAD		
E26	9170-1368	1	CORE-SHIELDING BEAD		
E27	9170-1368	1	CORE-SHIELDING BEAD		
E28	9170-1368	1	CORE-SHIELDING BEAD		
E29	9170-1368	1	CORE-SHIELDING BEAD		
E30	9170-1368	1	CORE-SHIELDING BEAD		
F1	2110-0332	1	FUSE (INCH) 3A 125V NTD BI	02805	GMW 3
F2	2110-0332	1	FUSE (INCH) 3A 125V NTD BI	02805	GMW 3
J1	1250-1842	1	CONNECTOR-RF BNC RCPT PC-W-STDFS 50-OHM		
J2	1251-5639	1	CONN-POST TYPE .100-PIN-SPCG 2-CONT	02946	68001-602
J3	1252-2356	1	CONN-POST TYPE 2.54-PIN-SPCG 96-CONT	01380	650913-5
J4	1250-1842	1	CONNECTOR-RF BNC RCPT PC-W-STDFS 50-OHM		
J5	1250-1842	1	CONNECTOR-RF BNC RCPT PC-W-STDFS 50-OHM		
J6	1252-1201	1	CONN-RECT D-SUBMIN 25-CKT 25-CONT	01380	748877-1
J7	1252-1492	1	CONN-RECT MICROB 24-CKT 24-CONT		
J8	1252-2755	1	CONNECTOR 5-PIN F CIRCULAR DIN	01380	520842-1
J9	1251-8106	1	CONN-POST TYPE .100-PIN-SPCG 20-CONT		
J10	1251-8248	1	CONN-POST TYPE .100-PIN-SPCG 26-CONT		
J11	1251-8601	1	CONN-POST TYPE .100-PIN-SPCG 34-CONT		
J12	1252-3053	1	CONN-POST TYPE .100-PIN-SPCG 4-CONT	01380	103904-3
J15	1252-0169	1	CONN-POST TYPE .100-PIN-SPCG 24-CONT	02946	68702-108
J16	1252-0169	1	CONN-POST TYPE .100-PIN-SPCG 24-CONT	02946	68702-108
J17	1252-1994	1	CONN-RECT D-SUBMIN 9-CKT 9-CONT	01380	748879-1
J20	1250-1842	1	CONNECTOR-RF BNC RCPT PC-W-STDFS 50-OHM		
J21	1251-2313	1	CONNECTOR-SGL CONT SKT .04-IN-BSC-SZ RND	01380	3-332070-5
J22	1251-2313	1	CONNECTOR-SGL CONT SKT .04-IN-BSC-SZ RND	01380	3-332070-5
J23	1251-2313	1	CONNECTOR-SGL CONT SKT .04-IN-BSC-SZ RND	01380	3-332070-5
J24	1251-2313	1	CONNECTOR-SGL CONT SKT .04-IN-BSC-SZ RND	01380	3-332070-5
J32	1252-0169	1	CONN-POST TYPE .100-PIN-SPCG 24-CONT	02946	68702-108
J45	1252-0169	1	CONN-POST TYPE .100-PIN-SPCG 24-CONT	02946	68702-108
J206	1200-1411	1	SOCKET-SIMM 60-CONT MODULE DIP-SLDR		
J208	1200-1411	1	SOCKET-SIMM 60-CONT MODULE DIP-SLDR		
L1	9140-1146	1	INDUCTOR-FIXED L=1.5 uH MIN; FREQ=10kHz	01869	PE 52616
L2	9140-1146	1	INDUCTOR-FIXED L=1.5 uH MIN; FREQ=10kHz	01869	PE 52616
L3	9140-1146	1	INDUCTOR-FIXED L=1.5 uH MIN; FREQ=10kHz	01869	PE 52616
L4	9140-1146	1	INDUCTOR-FIXED L=1.5 uH MIN; FREQ=10kHz	01869	PE 52616
L9	9140-1151	1	INDUCTOR-FIXED L: 28 UH MIN; TEST V	01869	92103K
LS1	0960-0561	1	AUDIO TRANSDUCER 1-3VDC; 80DB AT 10CM	08261	QMB-01-S.P.
MP1	08711-20002	1			
MP2	08711-20058	1			
MP3	08711-20059	1			
MP4	08711-20054	1			
MP5	08711-20055	1			
MP6	08711-20056	1			
MP7	08711-20057	1			
MP12	08711-60031	1			
MP13	08711-60032	1			
MP14	0515-0430	1	SCREW-MACHINE ASSEMBLY M3 X 0.5 6MM-LG	05610	
MP15	0515-0430	1	SCREW-MACHINE ASSEMBLY M3 X 0.5 6MM-LG	05610	
MP16	0515-0430	1	SCREW-MACHINE ASSEMBLY M3 X 0.5 6MM-LG	05610	
MP17	0590-1310	1	NUT-SPCLY 1/2-28-THD .11-IN-THK .665-WD	03699	
MP18	0590-1310	1	NUT-SPCLY 1/2-28-THD .11-IN-THK .665-WD	03699	
MP19	0590-1310	1	NUT-SPCLY 1/2-28-THD .11-IN-THK .665-WD	03699	
MP20	0590-1310	1	NUT-SPCLY 1/2-28-THD .11-IN-THK .665-WD	03699	
MP21	2190-0068	1	WASHER-LK INTL T 1/2 IN .505-IN-ID	04805	1924-02
MP22	2190-0068	1	WASHER-LK INTL T 1/2 IN .505-IN-ID	04805	1924-02
MP23	2190-0068	1	WASHER-LK INTL T 1/2 IN .505-IN-ID	04805	1924-02
MP24	2190-0068	1	WASHER-LK INTL T 1/2 IN .505-IN-ID	04805	1924-02
MP25	0380-0643	1	STANDOFF-HEX .255-IN-LG 6-32-THD	02685	
MP26	0380-0643	1	STANDOFF-HEX .255-IN-LG 6-32-THD	02685	
MP27	2190-0017	1	WASHER-LK HLCL NO. 8 .168-IN-ID	04604	
MP28	2190-0017	1	WASHER-LK HLCL NO. 8 .168-IN-ID	04604	

**Replaceable Parts List for A2 CPU Assembly, Part Number 08711-60002 (6 of 11)**

Reference Designation	HP Part Number	Qty	Description	Mfr Code	Mfr Part Number
MP29	1251-2942	1	SCREW LOCK KIT-SUBMIN D CONN	04486	D20418-2
MP30	1251-2942	1	SCREW LOCK KIT-SUBMIN D CONN	04486	D20418-2
MP31	1251-2942	1	SCREW LOCK KIT-SUBMIN D CONN	04486	D20418-2
MP32	1251-2942	1	SCREW LOCK KIT-SUBMIN D CONN	04486	D20418-2
MP35	0590-1095	1	THREADED INSERT-NUT M3 X 0.5 1.5-MM-LG	03981	KF2-M3-ZI
MP36	0590-1095	1	THREADED INSERT-NUT M3 X 0.5 1.5-MM-LG	03981	KF2-M3-ZI
MP37	0590-1095	1	THREADED INSERT-NUT M3 X 0.5 1.5-MM-LG	03981	KF2-M3-ZI
MP38	0590-1095	1	THREADED INSERT-NUT M3 X 0.5 1.5-MM-LG	03981	KF2-M3-ZI
MP39	0590-1095	1	THREADED INSERT-NUT M3 X 0.5 1.5-MM-LG	03981	KF2-M3-ZI
MP40	0515-0430	1	SCREW-MACHINE ASSEMBLY M3 X 0.5 6MM-LG	05610	
MP41	0515-0430	1	SCREW-MACHINE ASSEMBLY M3 X 0.5 6MM-LG	05610	
MP42	08711-20011	1			
MP43	08711-20011	1			
MP44	08711-20012	1			
MP45	08711-20012	1			
MP46	0403-0423	1	BUMPER FOOT-ADH MTG	02170	1572
MP47	1251-5595	1	POLARIZING KEY-POST CONN	04726	3518
MP48	1251-5595	1	POLARIZING KEY-POST CONN	04726	3518
MP49	1251-5595	1	POLARIZING KEY-POST CONN	04726	3518
MP50	1251-5595	1	POLARIZING KEY-POST CONN	04726	3518
MP51	1251-5595	1	POLARIZING KEY-POST CONN	04726	3518
MP52	1251-5595	1	POLARIZING KEY-POST CONN	04726	3518
Q1	1854-1028	1	TRANSISTOR NPN SI TO-92 PD=625MW		
Q2	1854-1028	1	TRANSISTOR NPN SI TO-92 PD=625MW		
Q3	1854-1028	1	TRANSISTOR NPN SI TO-92 PD=625MW		
Q4	1854-1028	1	TRANSISTOR NPN SI TO-92 PD=625MW		
Q5	1854-1028	1	TRANSISTOR NPN SI TO-92 PD=625MW		
Q6	1854-1028	1	TRANSISTOR NPN SI TO-92 PD=625MW		
R1	0757-0280	1	RESISTOR 1K ±1% .125W TF TC=0±100	05524	CMF-55-1
R2	1810-0279	1	NETWORK-RES 10-SIP 4.7K OHM X 9	06252	750-101
R3	1810-0279	1	NETWORK-RES 10-SIP 4.7K OHM X 9	06252	750-101
R4	1810-0279	1	NETWORK-RES 10-SIP 4.7K OHM X 9	06252	750-101
R5	1810-0279	1	NETWORK-RES 10-SIP 4.7K OHM X 9	06252	750-101
R6	0757-0280	1	RESISTOR 1K ±1% .125W TF TC=0±100	05524	CMF-55-1
R7	1810-0279	1	NETWORK-RES 10-SIP 4.7K OHM X 9	06252	750-101
R8	1810-0279	1	NETWORK-RES 10-SIP 4.7K OHM X 9	06252	750-101
R9	1810-0398	1	NETWORK-RES 10-SIP 22.0K OHM X 9	06252	750-101
R10	1810-0398	1	NETWORK-RES 10-SIP 22.0K OHM X 9	06252	750-101
R11	0757-0280	1	RESISTOR 1K ±1% .125W TF TC=0±100	05524	CMF-55-1
R12	0757-0280	1	RESISTOR 1K ±1% .125W TF TC=0±100	05524	CMF-55-1
R14	0757-0280	1	RESISTOR 1K ±1% .125W TF TC=0±100	05524	CMF-55-1
R15	0757-0280	1	RESISTOR 1K ±1% .125W TF TC=0±100	05524	CMF-55-1
R16	0757-0280	1	RESISTOR 1K ±1% .125W TF TC=0±100	05524	CMF-55-1
R17	0757-0280	1	RESISTOR 1K ±1% .125W TF TC=0±100	05524	CMF-55-1
R18	0757-0280	1	RESISTOR 1K ±1% .125W TF TC=0±100	05524	CMF-55-1
R19	0757-0280	1	RESISTOR 1K ±1% .125W TF TC=0±100	05524	CMF-55-1
R20	0757-0280	1	RESISTOR 1K ±1% .125W TF TC=0±100	05524	CMF-55-1
R21	0757-0405	1	RESISTOR 162 ±1% .125W TF TC=0±100	05524	CMF-55-1
R22	0757-0417	1	RESISTOR 562 ±1% .125W TF TC=0±100	05524	CMF-55-1
R23	0757-0419	1	RESISTOR 681 ±1% .125W TF TC=0±100	05524	CMF-55-1
R24	0757-0419	1	RESISTOR 681 ±1% .125W TF TC=0±100	05524	CMF-55-1
R25	0698-3430	1	RESISTOR 21.5 ±1% .125W TF TC=0±100	05524	CMF-55-1
R26	0757-0280	1	RESISTOR 1K ±1% .125W TF TC=0±100	05524	CMF-55-1
R27	0698-0084	1	RESISTOR 2.15K ±1% .125W TF TC=0±100	05524	CMF-55-1
R28	0757-0280	1	RESISTOR 1K ±1% .125W TF TC=0±100	05524	CMF-55-1
R29	1810-0275	1	NETWORK-RES 10-SIP 1.0K OHM X 9	06252	750-101
R30	0698-0084	1	RESISTOR 2.15K ±1% .125W TF TC=0±100	05524	CMF-55-1
R31	0698-3155	1	RESISTOR 4.64K ±1% .125W TF TC=0±100	05524	CMF-55-1
R32	0698-3430	1	RESISTOR 21.5 ±1% .125W TF TC=0±100	05524	CMF-55-1
R33	0698-3430	1	RESISTOR 21.5 ±1% .125W TF TC=0±100	05524	CMF-55-1
R34	0698-3430	1	RESISTOR 21.5 ±1% .125W TF TC=0±100	05524	CMF-55-1
R35	0698-3155	1	RESISTOR 4.64K ±1% .125W TF TC=0±100	05524	CMF-55-1
R36	0757-0419	1	RESISTOR 681 ±1% .125W TF TC=0±100	05524	CMF-55-1
R37	0757-0419	1	RESISTOR 681 ±1% .125W TF TC=0±100	05524	CMF-55-1
R39	0757-0419	1	RESISTOR 681 ±1% .125W TF TC=0±100	05524	CMF-55-1
R40	1810-0279	1	NETWORK-RES 10-SIP 4.7K OHM X 9	06252	750-101
R41	0698-6631	1	RESISTOR 2.5K ±0.1% .125W TF TC=0±25	05524	CMF-55-1, T-9

*Replaceable Parts List for A2 CPU Assembly, Part Number 08711-60002 (7 of 11)*

Reference Designation	HP Part Number	Qty	Description	Mfr Code	Mfr Part Number
R42	0698-6774	1	RESISTOR 150 ±0.1% .125W TF TC=0±25	05524	CMF-55-1, T-9
R43	0757-0419	1	RESISTOR 681 ±1% .125W TF TC=0±100	05524	CMF-55-1
R44	0757-0419	1	RESISTOR 681 ±1% .125W TF TC=0±100	05524	CMF-55-1
R45	0757-0200	1	RESISTOR 5.62K ±1% .125W TF TC=0±100	05524	CMF-55-1
R46	0698-6631	1	RESISTOR 2.5K ±0.1% .125W TF TC=0±25	05524	CMF-55-1, T-9
R49	0757-0417	1	RESISTOR 562 ±1% .125W TF TC=0±100	05524	CMF-55-1
R50	0698-0084	1	RESISTOR 2.15K ±1% .125W TF TC=0±100	05524	CMF-55-1
R51	0698-0084	1	RESISTOR 2.15K ±1% .125W TF TC=0±100	05524	CMF-55-1
R52	0698-0084	1	RESISTOR 2.15K ±1% .125W TF TC=0±100	05524	CMF-55-1
R53	0698-0084	1	RESISTOR 2.15K ±1% .125W TF TC=0±100	05524	CMF-55-1
R54	0757-0280	1	RESISTOR 1K ±1% .125W TF TC=0±100	05524	CMF-55-1
R55	0698-3155	1	RESISTOR 4.64K ±1% .125W TF TC=0±100	05524	CMF-55-1
R56	0757-0280	1	RESISTOR 1K ±1% .125W TF TC=0±100	05524	CMF-55-1
R57	0757-0419	1	RESISTOR 681 ±1% .125W TF TC=0±100	05524	CMF-55-1
R58	0757-0280	1	RESISTOR 1K ±1% .125W TF TC=0±100	05524	CMF-55-1
R59	1810-0279	1	NETWORK-RES 10-SIP 4.7K OHM X 9	06252	750-101
R60	0698-3441	1	RESISTOR 215 ±1% .125W TF TC=0±100	05524	CMF-55-1
R61	0698-3153	1	RESISTOR 3.89K ±1% .125W TF TC=0±100	05524	CMF-55-1
R62	0757-0417	1	RESISTOR 562 ±1% .125W TF TC=0±100	05524	CMF-55-1
R63	0757-0417	1	RESISTOR 562 ±1% .125W TF TC=0±100	05524	CMF-55-1
R64	0757-0200	1	RESISTOR 5.62K ±1% .125W TF TC=0±100	05524	CMF-55-1
R65	0757-0280	1	RESISTOR 1K ±1% .125W TF TC=0±100	05524	CMF-55-1
R66	0757-0403	1	RESISTOR 121 ±1% .125W TF TC=0±100	05524	CMF-55-1
R67	0757-0424	1	RESISTOR 1.1K ±1% .125W TF TC=0±100	05524	CMF-55-1
R68	0698-0084	1	RESISTOR 2.15K ±1% .125W TF TC=0±100	05524	CMF-55-1
R69	0698-3155	1	RESISTOR 4.64K ±1% .125W TF TC=0±100	05524	CMF-55-1
R70	0757-0280	1	RESISTOR 1K ±1% .125W TF TC=0±100	05524	CMF-55-1
R72	0698-3430	1	RESISTOR 21.5 ±1% .125W TF TC=0±100	05524	CMF-55-1
R74	8159-0005	1	RESISTOR 0 CWM	01339	L-2007-1
R76	0698-3155	1	RESISTOR 4.64K ±1% .125W TF TC=0±100	05524	CMF-55-1
R77	0757-0280	1	RESISTOR 1K ±1% .125W TF TC=0±100	05524	CMF-55-1
R78	0757-0280	1	RESISTOR 1K ±1% .125W TF TC=0±100	05524	CMF-55-1
R80	8159-0005	1	RESISTOR 0 CWM	01339	L-2007-1
R82	0698-0084	1	RESISTOR 2.15K ±1% .125W TF TC=0±100	05524	CMF-55-1
R85	8159-0005	1	RESISTOR 0 CWM	01339	L-2007-1
R88	0698-3430	1	RESISTOR 21.5 ±1% .125W TF TC=0±100	05524	CMF-55-1
R90	8159-0005	1	RESISTOR 0 CWM	01339	L-2007-1
R92	8159-0005	1	RESISTOR 0 CWM	01339	L-2007-1
R93	0698-3430	1	RESISTOR 21.5 ±1% .125W TF TC=0±100	05524	CMF-55-1
R94	0698-3430	1	RESISTOR 21.5 ±1% .125W TF TC=0±100	05524	CMF-55-1
R95	0698-3162	1	RESISTOR 46.4K ±1% .125W TF TC=0±100	05524	CMF-55-1
R96	0698-3162	1	RESISTOR 46.4K ±1% .125W TF TC=0±100	05524	CMF-55-1
R97	0757-0417	1	RESISTOR 562 ±1% .125W TF TC=0±100	05524	CMF-55-1
R98	0757-0280	1	RESISTOR 1K ±1% .125W TF TC=0±100	05524	CMF-55-1
R99	0698-3155	1	RESISTOR 4.64K ±1% .125W TF TC=0±100	05524	CMF-55-1
R101	0698-0084	1	RESISTOR 2.15K ±1% .125W TF TC=0±100	05524	CMF-55-1
R102	0698-0084	1	RESISTOR 2.15K ±1% .125W TF TC=0±100	05524	CMF-55-1
R103	0698-3430	1	RESISTOR 21.5 ±1% .125W TF TC=0±100	05524	CMF-55-1
R104	0698-3430	1	RESISTOR 21.5 ±1% .125W TF TC=0±100	05524	CMF-55-1
R105	0698-3430	1	RESISTOR 21.5 ±1% .125W TF TC=0±100	05524	CMF-55-1
R106	0698-3430	1	RESISTOR 21.5 ±1% .125W TF TC=0±100	05524	CMF-55-1
R107	0698-3430	1	RESISTOR 21.5 ±1% .125W TF TC=0±100	05524	CMF-55-1
R108	0698-3441	1	RESISTOR 215 ±1% .125W TF TC=0±100	05524	CMF-55-1
R110	0698-3155	1	RESISTOR 4.64K ±1% .125W TF TC=0±100	05524	CMF-55-1
R111	1810-0279	1	NETWORK-RES 10-SIP 4.7K OHM X 9	06252	750-101
R112	1810-0279	1	NETWORK-RES 10-SIP 4.7K OHM X 9	06252	750-101
R113	0757-0417	1	RESISTOR 562 ±1% .125W TF TC=0±100	05524	CMF-55-1
R114	0698-3430	1	RESISTOR 21.5 ±1% .125W TF TC=0±100	05524	CMF-55-1
R115	0698-3430	1	RESISTOR 21.5 ±1% .125W TF TC=0±100	05524	CMF-55-1
R116	0698-3430	1	RESISTOR 21.5 ±1% .125W TF TC=0±100	05524	CMF-55-1
R117	0698-3430	1	RESISTOR 21.5 ±1% .125W TF TC=0±100	05524	CMF-55-1
R119	0757-0280	1	RESISTOR 1K ±1% .125W TF TC=0±100	05524	CMF-55-1
R121	0757-0280	1	RESISTOR 1K ±1% .125W TF TC=0±100	05524	CMF-55-1
R122	0757-0280	1	RESISTOR 1K ±1% .125W TF TC=0±100	05524	CMF-55-1
R124	0698-3155	1	RESISTOR 4.64K ±1% .125W TF TC=0±100	05524	CMF-55-1
R125	0757-0419	1	RESISTOR 681 ±1% .125W TF TC=0±100	05524	CMF-55-1
R132	0757-0465	1	RESISTOR 100K ±1% .125W TF TC=0±100	05524	CMF-55-1



**Replaceable Parts List for A2 CPU Assembly, Part Number 08711-60002 (8 of 11)**

Reference Designation	HP Part Number	Qty	Description	Mfr Code	Mfr Part Number
R133	0757-0346	1	RESISTOR 10 ±1% .125W TF TC=0±100	05524	CMF-55-1
R134	0757-0346	1	RESISTOR 10 ±1% .125W TF TC=0±100	05524	CMF-55-1
R136	0698-0084	1	RESISTOR 2.15K ±1% .125W TF TC=0±100	05524	CMF-55-1
R141	0757-0405	1	RESISTOR 162 ±1% .125W TF TC=0±100	05524	CMF-55-1
R142	0698-3132	1	RESISTOR 261 ±1% .125W TF TC=0±100	05524	CMF-55-1
R143	0757-0418	1	RESISTOR 619 ±1% .125W TF TC=0±100	05524	CMF-55-1
R144	0757-1094	1	RESISTOR 1.47K ±1% .125W TF TC=0±100	05524	CMF-55-1
R145	0698-3437	1	RESISTOR 133 ±1% .125W TF TC=0±100	05524	CMF-55-1
R151	1810-0533	1	NETWORK-RES 16-DIP 33.0 OHM X 8	02483	761-3-R33
R152	1810-0533	1	NETWORK-RES 16-DIP 33.0 OHM X 8	02483	761-3-R33
R153	0698-3155	1	RESISTOR 4.64K ±1% .125W TF TC=0±100	05524	CMF-55-1
R157	8159-0005	1	RESISTOR 0 CWM	01339	L-2007-1
R202	0757-0280	1	RESISTOR 1K ±1% .125W TF TC=0±100	05524	CMF-55-1
R203	0757-0280	1	RESISTOR 1K ±1% .125W TF TC=0±100	05524	CMF-55-1
R204	0757-0280	1	RESISTOR 1K ±1% .125W TF TC=0±100	05524	CMF-55-1
R205	0757-0280	1	RESISTOR 1K ±1% .125W TF TC=0±100	05524	CMF-55-1
R206	0698-3155	1	RESISTOR 4.64K ±1% .125W TF TC=0±100	05524	CMF-55-1
R207	0698-3155	1	RESISTOR 4.64K ±1% .125W TF TC=0±100	05524	CMF-55-1
R301	0698-3441	1	RESISTOR 215 ±1% .125W TF TC=0±100	05524	CMF-55-1
R302	0698-3441	1	RESISTOR 215 ±1% .125W TF TC=0±100	05524	CMF-55-1
R303	0698-3441	1	RESISTOR 215 ±1% .125W TF TC=0±100	05524	CMF-55-1
R304	0698-3441	1	RESISTOR 215 ±1% .125W TF TC=0±100	05524	CMF-55-1
R305	0698-3441	1	RESISTOR 215 ±1% .125W TF TC=0±100	05524	CMF-55-1
R306	0698-3441	1	RESISTOR 215 ±1% .125W TF TC=0±100	05524	CMF-55-1
R307	0698-3441	1	RESISTOR 215 ±1% .125W TF TC=0±100	05524	CMF-55-1
R308	0698-3441	1	RESISTOR 215 ±1% .125W TF TC=0±100	05524	CMF-55-1
R309	0698-3441	1	RESISTOR 215 ±1% .125W TF TC=0±100	05524	CMF-55-1
R310	0698-3155	1	RESISTOR 4.64K ±1% .125W TF TC=0±100	05524	CMF-55-1
R311	0698-3441	1	RESISTOR 215 ±1% .125W TF TC=0±100	05524	CMF-55-1
S1	3101-2243	1	SWITCH-DIP RKR 8-1A 0.05A 30VDC		
S2	3101-2243	1	SWITCH-DIP RKR 8-1A 0.05A 30VDC		
TP1	1460-2201	1	SPRING RADIAL TEST POINT	12646	
TP2	1460-2201	1	SPRING RADIAL TEST POINT	12646	
TP3	1460-2201	1	SPRING RADIAL TEST POINT	12646	
TP4	1460-2201	1	SPRING RADIAL TEST POINT	12646	
TP5	1460-2201	1	SPRING RADIAL TEST POINT	12646	
TP6	1460-2201	1	SPRING RADIAL TEST POINT	12646	
TP7	1460-2201	1	SPRING RADIAL TEST POINT	12646	
TP8	1460-2201	1	SPRING RADIAL TEST POINT	12646	
TP9	1460-2201	1	SPRING RADIAL TEST POINT	12646	
TP12	1460-2201	1	SPRING RADIAL TEST POINT	12646	
TP13	1460-2201	1	SPRING RADIAL TEST POINT	12646	
TP14	1460-2201	1	SPRING RADIAL TEST POINT	12646	
TP15	1460-2201	1	SPRING RADIAL TEST POINT	12646	
TP16	1460-2201	1	SPRING RADIAL TEST POINT	12646	
TP17	1460-2201	1	SPRING RADIAL TEST POINT	12646	
TP18	1460-2201	1	SPRING RADIAL TEST POINT	12646	
TP19	1460-2201	1	SPRING RADIAL TEST POINT	12646	
TP20	1460-2201	1	SPRING RADIAL TEST POINT	12646	
TP21	1460-2201	1	SPRING RADIAL TEST POINT	12646	
TP22	1460-2201	1	SPRING RADIAL TEST POINT	12646	
TP23	1460-2201	1	SPRING RADIAL TEST POINT	12646	
TP24	1460-2201	1	SPRING RADIAL TEST POINT	12646	
TP25	1460-2201	1	SPRING RADIAL TEST POINT	12646	
TP26	1460-2201	1	SPRING RADIAL TEST POINT	12646	
TP27	1460-2201	1	SPRING RADIAL TEST POINT	12646	
TP28	1460-2201	1	SPRING RADIAL TEST POINT	12646	
TP29	1460-2201	1	SPRING RADIAL TEST POINT	12646	
TP30	1460-2201	1	SPRING RADIAL TEST POINT	12646	
TP31	1460-2201	1	SPRING RADIAL TEST POINT	12646	
TP32	1460-2201	1	SPRING RADIAL TEST POINT	12646	
TP33	1460-2201	1	SPRING RADIAL TEST POINT	12646	
TP34	1460-2201	1	SPRING RADIAL TEST POINT	12646	
TP35	1460-2201	1	SPRING RADIAL TEST POINT	12646	
TP36	1460-2201	1	SPRING RADIAL TEST POINT	12646	
U1	1820-3100	1	IC DCDR TTL/ALS BIN 3-TO-8-LINE 3-INP		
U2	1820-1729	1	IC LCH TTL/LS ADDRESSABLE 8-BIT		

**Replaceable Parts List for A2 CPU Assembly, Part Number 08711-60002 (9 of 11)**

Reference Designation	HP Part Number	Qty	Description	Mfr Code	Mfr Part Number
U3	1820-2675	1	IC TRANSCEIVER TTL/LS BUS OCTL		
U4	1813-0648	1	CLK-OSC-XTAL STD 3.6864-MHZ 0.01%		
U5	1820-3667	1	IC-DUAL UART, 68000 COMPATIBLE	02910	SCN68681C1N40
U6	1826-0275	1	IC V RGLTR-FXD-POS 11.5/12.5V TO-92 PKG		
U7	1820-4666	1	IC-INTERFACE DRVR/RCVR CMOS		
U8	1826-0282	1	IC V RGLTR-FXD-NEG -11.4/-12.6V TO-92		
U9	1820-2548	1	IC-GENERAL PURPOSE INTERFACE BUS ADAPTER	01698	
U10	1820-3431	1	IC-INTERFACE XCVR BIPOLAR INSTRUMENT BUS		
U11	1820-3376	1	IC INV TTL/ALS HEX		
U12	1820-2691	1	IC FF TTL/F D-TYPE POS-EDGE-TRIG	02037	MC74F74N
U13	1820-6989	1	IC-UNIV PRPHL INTFC;KEYBOARD CONTROLLER		
U14	1820-2684	1	IC GATE TTL/F NAND QUAD 2-INP	02037	MC74F00N
U15	1820-2635	1	IC GATE TTL/ALS AND QUAD 2-INP		
U16	1820-2657	1	IC GATE TTL/ALS OR QUAD 2-INP		
U17	1826-1338	1	IC MISC 8 PIN DIP-P		
U18	1820-3376	1	IC INV TTL/ALS HEX		
U19	1820-3100	1	IC DCDR TTL/ALS BIN 3-TO-8-LINE 3-INP		
U20	08711-80017	1			
U21	1820-3665	1	IC TRANSCEIVER CMOS/HCT BUS OCTL		
U22	1820-3665	1	IC TRANSCEIVER CMOS/HCT BUS OCTL		
U23	1820-4086	1	IC FF CMOS/HCT D-TYPE POS-EDGE-TRIG COM		
U24	1820-3505	1	IC CNTR TTL/ALS BIN UP/DOWN SYNCHRO		
U25	08711-80013	1			
U26	08711-80014	1			
U27	1820-5602	1	IC-PROGRAMMABLE INTERVAL TIMER,DC-10MHZ	03811	P82C54-2
U28	1820-1729	1	IC LCH TTL/LS ADDRESSABLE 8-BIT		
U29	1820-2657	1	IC GATE TTL/ALS OR QUAD 2-INP		
U31	08711-80021	1			
U32	1820-3121	1	IC TRANSCEIVER TTL/ALS BUS OCTL		
U33	1820-4086	1	IC FF CMOS/HCT D-TYPE POS-EDGE-TRIG COM		
U34	1820-3518	1	IC-INTERFACE XCVR BIPOLAR INSTRUMENT BUS		
U35	1820-3378	1	IC LCH TTL/ALS TRANSPARENT OCTL		
U36	08711-80019	1			
U37	1820-3439	1	IC MUXR/DATA-SEL TTL/ALS 4-TO-1-LINE		
U38	1820-2488	1	IC FF TTL/ALS D-TYPE POS-EDGE-TRIG		
U39	1820-6707	1	IC ARBITER TTL/F BUS ASYNCHRO 4-INP		
U40	08711-80022	1			
U41	08711-80023	1			
U42	1810-1175	1	DELAY LINE ACTIVE DEVICE W/DUAL IN-LINE	12186	DS1000-100
U43	1820-3100	1	IC DCDR TTL/ALS BIN 3-TO-8-LINE 3-INP		
U44	1820-2657	1	IC GATE TTL/ALS OR QUAD 2-INP		
U45	1820-3465	1	IC FF TTL/ALS D-TYPE POS-EDGE-TRIG COM		
U46	1820-4164	1	IC SCHMITT-TRIG TTL/F NAND QUAD 2-INP		
U47	1820-3121	1	IC TRANSCEIVER TTL/ALS BUS OCTL		
U48	1820-2685	1	IC GATE TTL/F NOR QUAD 2-INP	02037	MC74F02N
U50	1820-3438	1	IC MUXR/DATA-SEL TTL/ALS 2-TO-1-LINE		
U51	1818-5028	1	IC 2M FLASH 150-NS CMOS		
U52	1818-5027	1	IC 1M FLASH 150-NS CMOS		
U53	1818-5028	1	IC 2M FLASH 150-NS CMOS		
U54	1818-5027	1	IC 1M FLASH 150-NS CMOS		
U55	1820-5987	1	IC CNTR TTL/F BIN ASYNCHRO NEG-EDGE-TRIG		
U56	5181-5566	1			
U57	1820-1851	1	IC ENCDR TTL/LS PRIORITY 8-TO-3-LINE		
U58	1820-3439	1	IC MUXR/DATA-SEL TTL/ALS 4-TO-1-LINE		
U59	1820-3439	1	IC MUXR/DATA-SEL TTL/ALS 4-TO-1-LINE		
U60	1820-3145	1	IC DRVR TTL/ALS BUS OCTL		
U61	1818-4433	1	DRAM 256KX4 100 NS P-ZIP FST-PG-M 5V		
U62	1818-4433	1	DRAM 256KX4 100 NS P-ZIP FST-PG-M 5V		
U63	1818-4433	1	DRAM 256KX4 100 NS P-ZIP FST-PG-M 5V		
U64	1818-4433	1	DRAM 256KX4 100 NS P-ZIP FST-PG-M 5V		
U65	1818-4433	1	DRAM 256KX4 100 NS P-ZIP FST-PG-M 5V		
U66	1818-4433	1	DRAM 256KX4 100 NS P-ZIP FST-PG-M 5V		
U67	1818-4433	1	DRAM 256KX4 100 NS P-ZIP FST-PG-M 5V		
U68	1818-4433	1	DRAM 256KX4 100 NS P-ZIP FST-PG-M 5V		
U69	1820-3121	1	IC TRANSCEIVER TTL/ALS BUS OCTL		
U70	1818-4693	1	IC 256K SRAM 25-NS CMOS	06354	TCS5328P-25
U71	1820-3104	1	IC SHF-RGTR TTL/ALS MULTI-MODE		

**Replaceable Parts List for A2 CPU Assembly, Part Number 08711-60002 (10 of 11)**

Reference Designation	HP Part Number	Qty	Description	Mfr Code	Mfr Part Number
U72	1820-3104	1	IC SHF-RGTR TTL/ALS MULTI-MODE		
U73	08711-80018	1			
U74	1820-3438	1	IC MUXR/DATA-SEL TTL/ALS 2-TO-1-LINE		
U75	1820-3438	1	IC MUXR/DATA-SEL TTL/ALS 2-TO-1-LINE		
U76	1820-3121	1	IC TRANSCEIVER TTL/ALS BUS OCTL		
U77	1820-3121	1	IC TRANSCEIVER TTL/ALS BUS OCTL		
U78	1818-5028	1	IC 2M FLASH 150-NS CMOS		
U79	1818-5027	1	IC 1M FLASH 150-NS CMOS		
U80	1818-5028	1	IC 2M FLASH 150-NS CMOS		
U81	1818-5027	1	IC 1M FLASH 150-NS CMOS		
U82	08711-80012	1			
U83	1818-4604	1	IC 1M SRAM 120-NS CMOS		
U84	1820-3121	1	IC TRANSCEIVER TTL/ALS BUS OCTL		
U85	1820-3121	1	IC TRANSCEIVER TTL/ALS BUS OCTL		
U86	1820-3439	1	IC MUXR/DATA-SEL TTL/ALS 4-TO-1-LINE		
U87	1820-2634	1	IC INV TTL/ALS HEX		
U88	1820-3439	1	IC MUXR/DATA-SEL TTL/ALS 4-TO-1-LINE		
U89	1820-3145	1	IC DRVR TTL/ALS BUS OCTL		
U90	1820-2656	1	IC GATE TTL/ALS NAND QUAD 2-INP		
U91	1820-3225	1	IC MUXR/DATA-SEL TTL/F 8-TO-1-LINE		
U92	1820-3225	1	IC MUXR/DATA-SEL TTL/F 8-TO-1-LINE		
U93	1820-3121	1	IC TRANSCEIVER TTL/ALS BUS OCTL		
U94	1818-4693	1	IC 256K SRAM 25-NS CMOS	06354	TC55328P-25
U95	1820-3104	1	IC SHF-RGTR TTL/ALS MULTI-MODE		
U96	1820-3104	1	IC SHF-RGTR TTL/ALS MULTI-MODE		
U97	1820-6223	1	IC-100NS CYCLE TIME;4K ON-CHIP ROM/EPROM	01698	TMS320C25FNL
U98	1820-2684	1	IC GATE TTL/F NAND QUAD 2-INP	02037	MC74F00N
U99	1820-5869	1	IC GATE CMOS/ACT NAND QUAD 2-INP		
U100	1820-6081	1	IC-32-BIT GRAPHICS SYSTEM PROCESSOR	01698	TMS34010FNL-50
U101	08711-80015	1			
U102	08711-80016	1			
U103	1820-2696	1	IC FF TTL/F D-TYPE POS-EDGE-TRIG COM CLK	02037	MC74F175N
U104	1820-3225	1	IC MUXR/DATA-SEL TTL/F 8-TO-1-LINE		
U105	1820-3225	1	IC MUXR/DATA-SEL TTL/F 8-TO-1-LINE		
U106	08711-80020	1			
U107	1820-3378	1	IC LCH TTL/ALS TRANSPARENT OCTL		
U108	1820-3378	1	IC LCH TTL/ALS TRANSPARENT OCTL		
U109	1826-0393	1	IC V RGLTR-ADJ-POS 1.2/37V 3-TO-220 PKG		
U110	1820-3378	1	IC LCH TTL/ALS TRANSPARENT OCTL		
U111	1818-4669	1	256KX4 100 NS P-ZIP FST-PG-M 5V		
U112	1818-4669	1	256KX4 100 NS P-ZIP FST-PG-M 5V		
U113	1818-4669	1	256KX4 100 NS P-ZIP FST-PG-M 5V		
U114	1818-4669	1	256KX4 100 NS P-ZIP FST-PG-M 5V		
U115	1826-0910	1	IC V RGLTR-FXD-POS 2.44/2.54V TO-92 PKG		
U116	1820-3376	1	IC INV TTL/ALS HEX		
U117	1826-0962	1	IC OP AMP LOW-BIAS-H-IMPED DUAL 8 PIN		
U118	1820-3145	1	IC DRVR TTL/ALS BUS OCTL		
U119	1826-1816	1	IC TEMP XDCR 3 PIN TO-92		
U120	1826-1248	1	A/D 8-BIT 20-PLASTIC CMOS		
U121	1820-1729	1	IC LCH TTL/ALS ADDRESSABLE 8-BIT		
U122	1820-1729	1	IC LCH TTL/ALS ADDRESSABLE 8-BIT		
U123	1820-3100	1	IC DCDR TTL/ALS BIN 3-TO-8-LINE 3-INP		
U124	1820-5497	1	IC-NONVOLATILE MEMORY CONTROLLER	12186	DS1210
U125	1826-0276	1	IC V RGLTR-FXD-POS 4.8/5.2V TO-92 PKG		
U127	1820-5987	1	IC CNTR TTL/F BIN ASYNCHRO NEG-EDGE-TRIG		
U128	1820-3100	1	IC DCDR TTL/ALS BIN 3-TO-8-LINE 3-INP		
U129	1826-0682	1	IC AUDIO AMPL PWR 8 PIN DIP-P		
U130	1826-0527	1	IC V RGLTR-ADJ-NEG 1.2/37V 3-TO-220 PKG		
U131	1820-2488	1	IC FF TTL/ALS D-TYPE POS-EDGE-TRIG		
U132	1820-2635	1	IC GATE TTL/ALS AND QUAD 2-INP		
U133	1820-4581	1	IC-MULTI-FUNCTION PERIPHERAL W/USART		
U134	1820-5384	1	IC-INTERFACE CMOS-888-BIT	12768	RTC-72421B
U135	1820-2657	1	IC GATE TTL/ALS OR QUAD 2-INP		
U136	08753-80011	1			
U138	1820-2177	1	IC-INPUT/OUTPUT EXPANDER	03811	P8243
U139	1826-0276	1	IC V RGLTR-FXD-POS 4.8/5.2V TO-92 PKG		
U140	1820-6980	1	IC-FLOPPY DISK CONTROLLER PLUS-2	03406	DP8473N

**Replaceable Parts List for A2 CPU Assembly, Part Number 08711-60002 (11 of 11)**

Reference Designation	HP Part Number	Qty	Description	Mfr Code	Mfr Part Number
U141	1820-3121	1	IC TRANSCEIVER TTL/ALS BUS OCTL		
U143	1820-3593	1	IC-INTERFACE MISC-DGTL BIPOLAR -888-BIT		
U144	1820-3318	1	IC FF TTL/ALS D-TYPE POS-EDGE-TRIG COM		
U145	1820-3378	1	IC LCH TTL/ALS TRANSPARENT OCTL		
U147	1820-3225	1	IC MUXR/DATA-SEL TTL/F 8-TO-1-LINE		
U148	1820-3145	1	IC DRVR TTL/ALS BUS OCTL		
VR1	0837-0242	1	VOLTAGE SUPPRESSOR VR=6V VC=10.3V AT		
VR141	0837-0271	1	VOLTAGE SUPPRESSOR VR=15.3V; VC=25.2V @		
W1	1258-0218	1	JUMPER 16 GOLD PLTD PHOSPHOR BRONZE	02946	69145-216
W2	1258-0218	1	JUMPER 16 GOLD PLTD PHOSPHOR BRONZE	02946	69145-216
W3	1258-0218	1	JUMPER 16 GOLD PLTD PHOSPHOR BRONZE	02946	69145-216
W4	1258-0218	1	JUMPER 16 GOLD PLTD PHOSPHOR BRONZE	02946	69145-216
W5	1258-0141	1	JUMPER-REMOVABLE FOR 0.025 IN SQ PINS	02946	65474-004
XU13	1200-1296	1	SOCKET-IC-CHP-CARR 44-CONT SQUARE	01380	821575-1
XU20	1200-1107	1	SOCKET-IC-DIP 24-CONT DIP DIP-SLDR		
XU25	1200-0639	1	SOCKET-IC-DIP 20-CONT DIP DIP-SLDR	13369	DILB20P-308T
XU26	1200-0639	1	SOCKET-IC-DIP 20-CONT DIP DIP-SLDR	13369	DILB20P-308T
XU31	1200-1107	1	SOCKET-IC-DIP 24-CONT DIP DIP-SLDR		
XU36	1200-0639	1	SOCKET-IC-DIP 20-CONT DIP DIP-SLDR	13369	DILB20P-308T
XU40	1200-1107	1	SOCKET-IC-DIP 24-CONT DIP DIP-SLDR		
XU41	1200-1107	1	SOCKET-IC-DIP 24-CONT DIP DIP-SLDR		
XU73	1200-1107	1	SOCKET-IC-DIP 24-CONT DIP DIP-SLDR		
XU82	1200-1314	1	SOCKET-IC-DIP 32-CONT DIP DIP-SLDR		
XU97	1200-1274	1	SOCKET-IC-CHP-CARR 68-CONT SQUARE	01380	821574-1
XU100	1200-1274	1	SOCKET-IC-CHP-CARR 68-CONT SQUARE	01380	821574-1
XU101	1200-0639	1	SOCKET-IC-DIP 20-CONT DIP DIP-SLDR	13369	DILB20P-308T
XU102	1200-0639	1	SOCKET-IC-DIP 20-CONT DIP DIP-SLDR	13369	DILB20P-308T
XU106	1200-0639	1	SOCKET-IC-DIP 20-CONT DIP DIP-SLDR	13369	DILB20P-308T
XU137	1200-0639	1	SOCKET-IC-DIP 20-CONT DIP DIP-SLDR	13369	DILB20P-308T
XU142	1200-0639	1	SOCKET-IC-DIP 20-CONT DIP DIP-SLDR	13369	DILB20P-308T
XU5601	1200-1476	1	SOCKET-FL-PK-TEST 132-CONT DIP-SLDR	01380	821949-5
Y1	1813-0852	1	CLK-OSC-XTAL STD 50.0-MHZ 0.01%	01417	HS-1219-50MHZ
Y2	1813-0839	1	CLK-OSC-XTAL STD 33.33-MHZ 0.01%	01417	HS-1219-33.33MHZ
Y3	1813-0558	1	CLK-OSC-XTAL STD 40.0-MHZ 0.10%	01417	HS1219
Y42	1813-0143	1	CLK-OSC-XTAL STD 19.6608-MHZ 0.05%	05524	X0-43C-19.6608MHZ
Y53	0410-2318	1	RESONATOR-CERAMIC 12.0MHZ;TOL. ±0.5%	09939	CST12.0MTW
Y62	0410-2088	1	CRYSTAL-QUARTZ 24.000 MHZ HC-49/U-HLDR		
Y63	0410-1853	1	RESONATOR-CERAMIC 8.0MHZ;FREQ TOL:±0.3	09939	CST8.00MT101



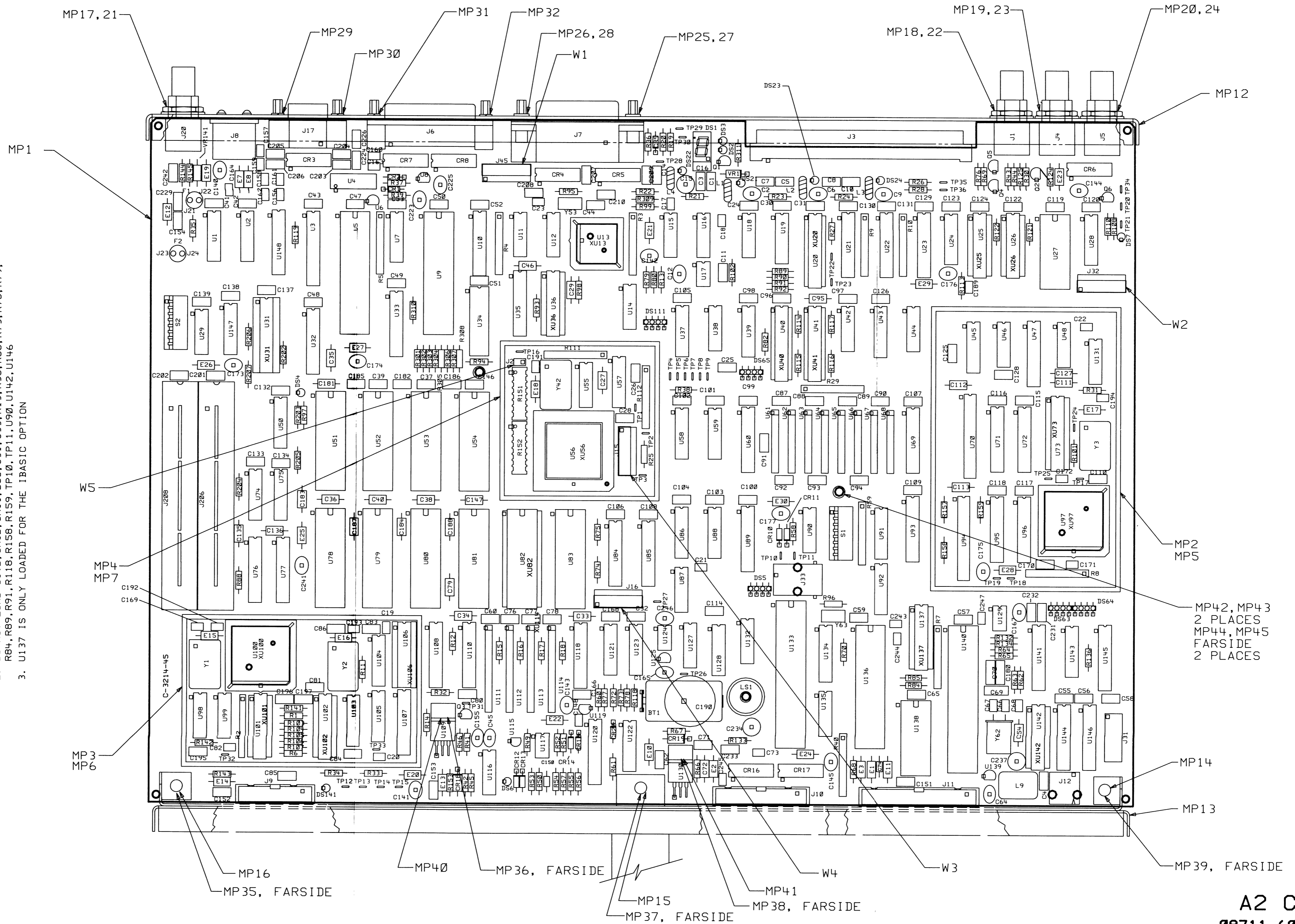
*A2 CPU Board (1 of 1)*

Test Point	Name	Description	Important Parameters
TP1	RLW 68	68020 READ/WRITE	TTL ACTIVITY AT $\approx 100$ kHz (RANDOM)
TP2	LDS	68020 DATA STROBE	TTL ACTIVITY AT 1-2 MHz (RANDOM)
TP3	LAS	68020 ADDRESS STROBE	TTL ACTIVITY AT 1-2 MHz (RANDOM)
TP4	LINT_FDC	FLOPPY DISK INTERRUPT	TTL HIGH ALL THE TIME
TP5	LINT_FP	FRONT PANEL INTERRUPT	TTL HIGH, LOW PULSES ON KEY/RPG
TP6	LINT_HP1B	HP-1B INTERRUPT	TTL HIGH, LOW PULSES ON HP-1B
TP7	LINT_MFP	MFP INTERRUPT	TTL HIGH, LOW PULSES IF ACTIVE
TP8	LINT_DIN	DIN KEYBOARD INTERRUPT	TTL HIGH, LOW PULSE WHEN DIN KEYBOARD KEY IS PRESSED
TP9	LINT_C25	320C25 DSP INTERRUPT	TTL HIGH, LOW PULSES SOMETIMES
TP10	TXD_DB	FIRMWARE DEBUG ONLY	UNDEFINED
TP11	RXD_DB	FIRMWARE DEBUG ONLY	UNDEFINED
TP12	HSYNC	CRT HORIZONTAL SYNC	TTL HIGH PULSE EVERY 24.1 kHz
TP13	VSYNC	CRT VERTICAL SYNC	TTL HIGH PULSE EVERY 60 Hz
TP14	VIDEO1_FB	VIDEO PIXEL FULL BRIGHT	TTL ACTIVITY, DEPENDS ON IMAGE
TP15	VIDEO1_HB	VIDEO PIXEL HALF BRIGHT	TTL ACTIVITY, DEPENDS ON IMAGE
TP16	19.6608 MHz	CLOCK TO 68020 AND OTHERS	TTL CLOCK AT 19.6608 MHz
TP17	40 MHz	CLOCK TO 320C25 DSP	TTL CLOCK AT 40.0 MHz
TP18	XF	FIRMWARE DEBUG ONLY	UNDEFINED
TP19	DGND	DIGITAL GROUND	0V (GROUND)
TP20	-	FIRMWARE DEBUG ONLY	UNDEFINED
TP21	-	FIRMWARE DEBUG ONLY	UNDEFINED
TP22	LDSACK0	68020 BUS CYCLE ACK	TTL ACTIVITY AT 1-3 MHz
TP23	LDSACK1	68020 BUS CYCLE ACK	TTL ACTIVITY AT 1-3 MHz
TP24	READY25	320C25 BUS CYCLE ACK	TTL ACTIVITY
TP25	LSTRB25	320C25 CYCLE STROBE	TTL ACTIVITY
TP26	VBATTERY	BATTERY VOLTAGE	2.1V TO 3.4V. REPLACE IF $< 2.1V$
TP27	LBERR	68020 BUS ERROR	TTL HIGH. LOW INDICATES ERROR
TP28	+12V	POWER SUPPLY +12V	$+11.85V \pm 5\%$
TP29	+5V	POWER SUPPLY +5V	$+5.05V \pm 5\%$
TP30	GND	DIGITAL GROUND	0V (GROUND)
TP31	VPP FLASH	FLASH PROGRAM VOLTAGE	$< 2.5V$ DURING NORMAL OPERATION
TP32	50 MHz	CLOCK TO 34010	TTL CLOCK AT 50.0 MHz
TP33	33.33 MHz	CLOCK TO VIDEO PIXELS	TTL CLOCK AT 33.33 MHz
TP34	HSWEEP	SWEEP CONTROL LINE	HIGH DURING MEASUREMENT SWEEP
TP35	+15V	POWER SUPPLY +15V	$+15.3V \pm 5\%$
TP36	-15V	POWER SUPPLY -15V	$-15.3V \pm 5\%$





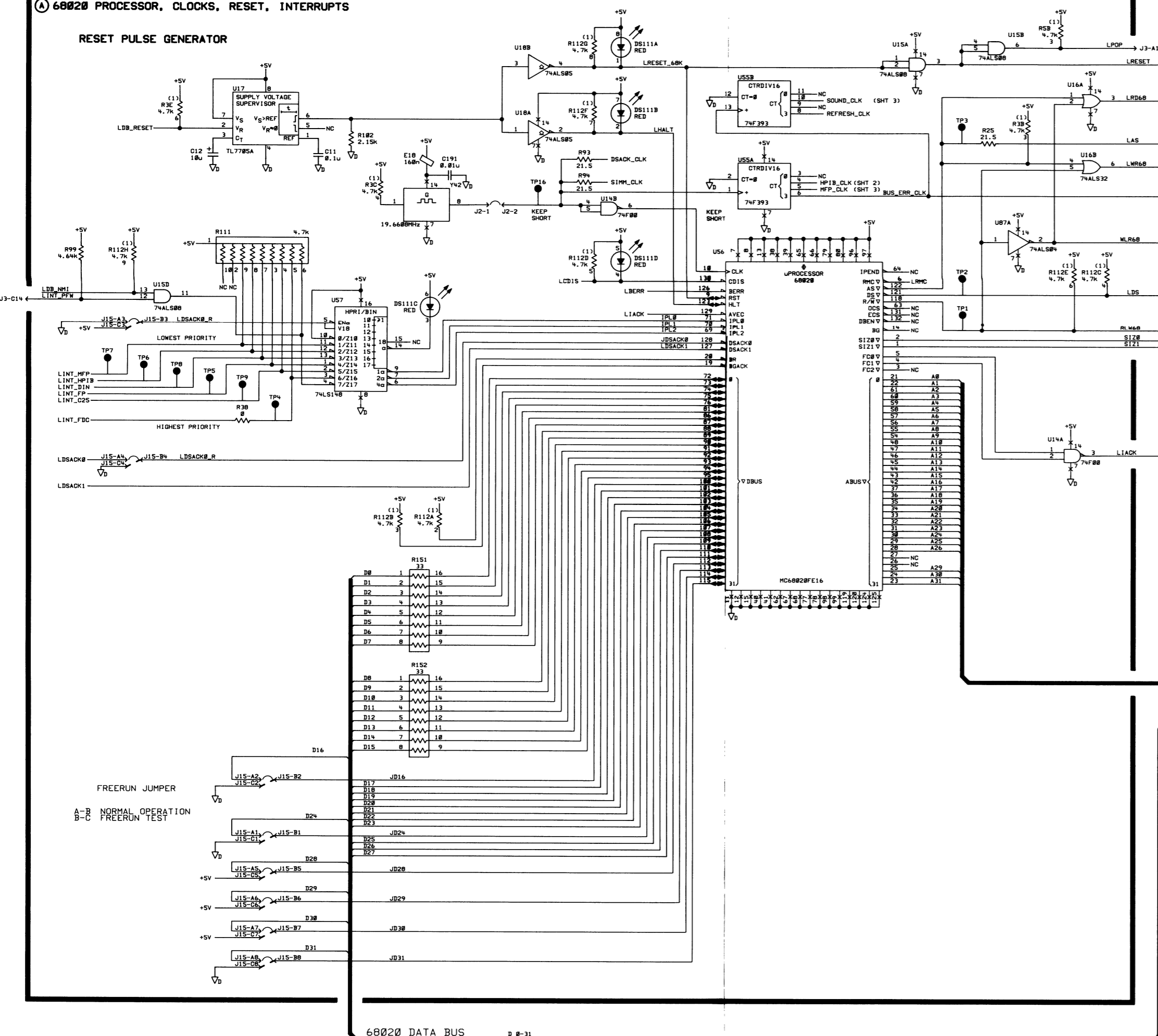
- NOTES: UNLESS OTHERWISE SPECIFIED
1. WORKMANSHIP ACCEPTABILITY: ASSEMBLY PER A-5951-1582-1 (741.070C)  
SOLDERING PER A-5951-1585-1 (741.070F)  
REWORK PER A-5951-1586-1 (741.070G)
  2. DO NOT LOAD C190, CR10, CR11, DSS, J31, J33, R13, R38, R58, R73, R75, R79, R84, R89, R91, R118, R158, R159, TP10, TP11, U90, U142, U146
  3. U137 IS ONLY LOADED FOR THE IBASIC OPTION



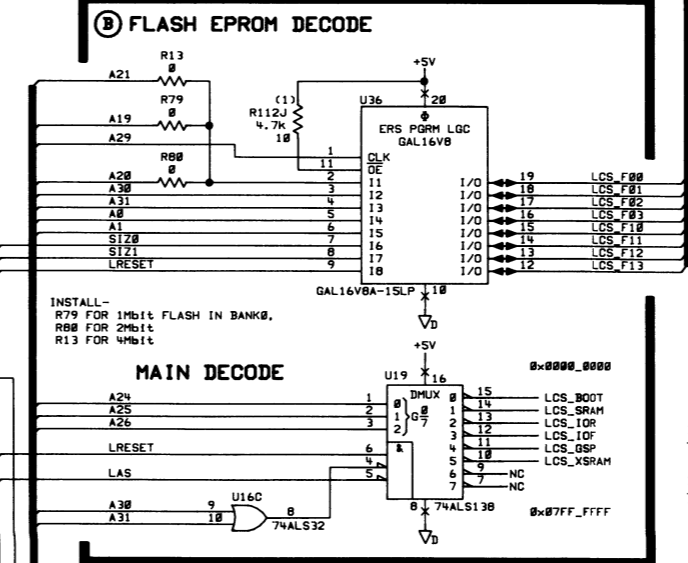
**68020 PROCESSOR, CLOCKS, RESET, INTERRUPTS**

**68020 CONTROL BUS**

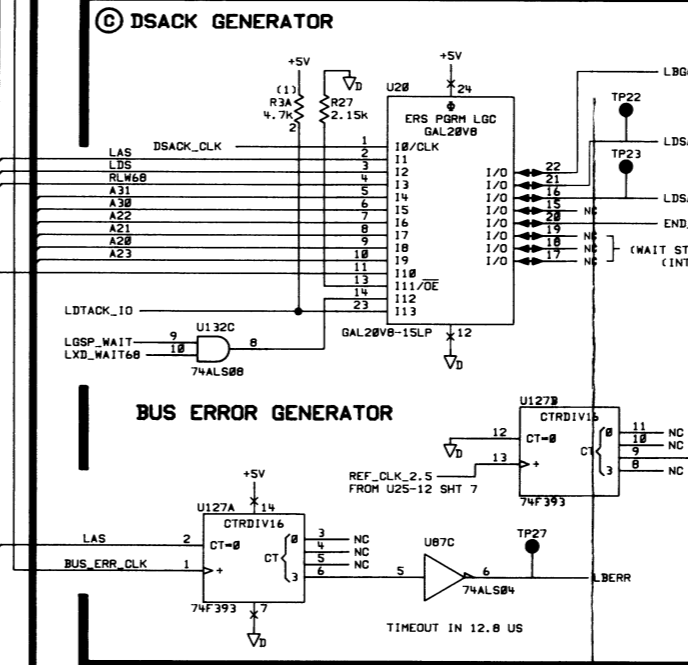
**RESET PULSE GENERATOR**



**FLASH EPROM DECODE**



**DSACK GENERATOR**

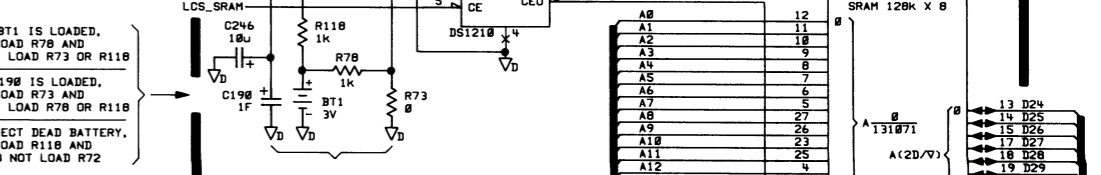
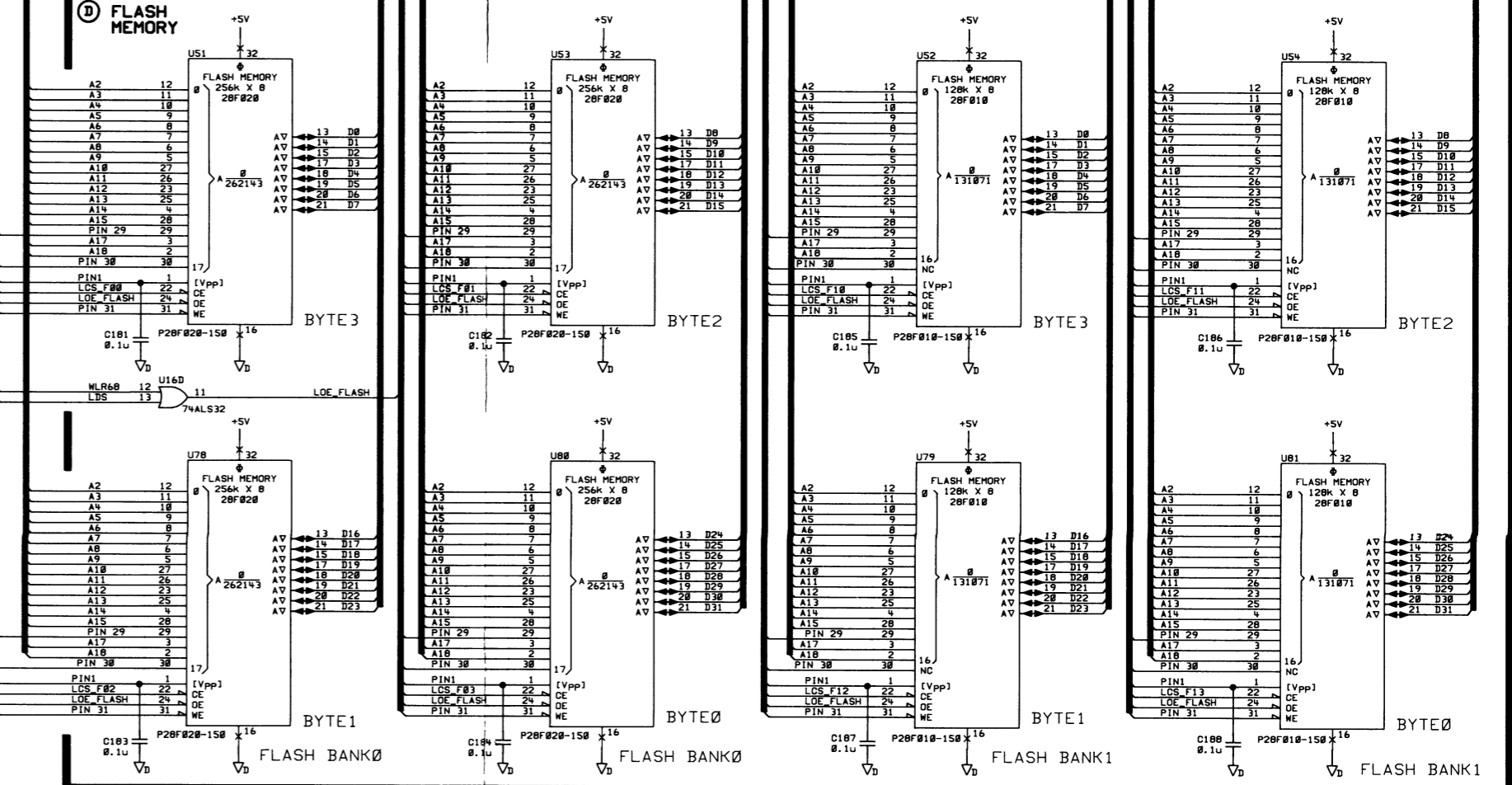


**68020 ADDRESS BUS**

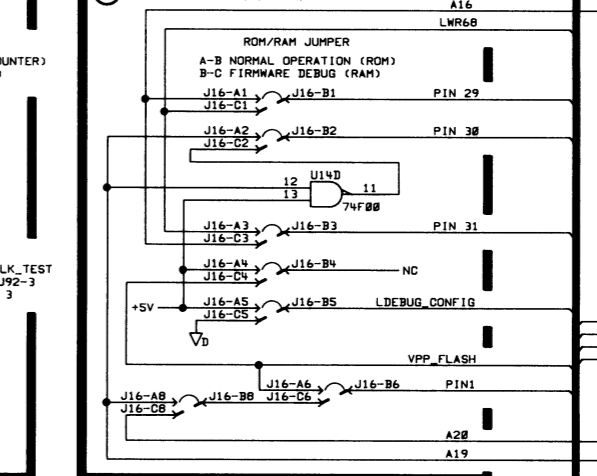
**68020 CONTROL BUS**

**68020 DATA BUS**

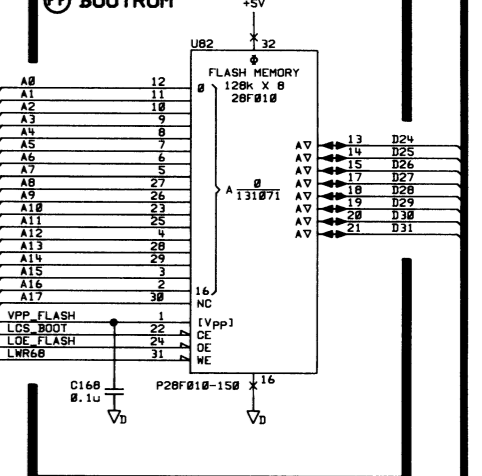
**FLASH MEMORY**



**ROM/RAM JUMPER**



**BOOTROM**



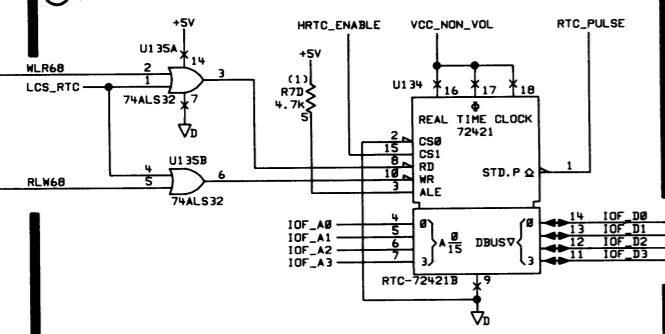
NOTES: UNLESS OTHERWISE SPECIFIED  
 1. THESE PARTS NOT LOADED THIS ASSEMBLY:  
 C190, CR10, CR11, DS5, J31, J33,  
 R13, R38, R58, R73, R75, R79, R84, R89, R91  
 R118, R158, R159, TP10, TP11, U90, U146



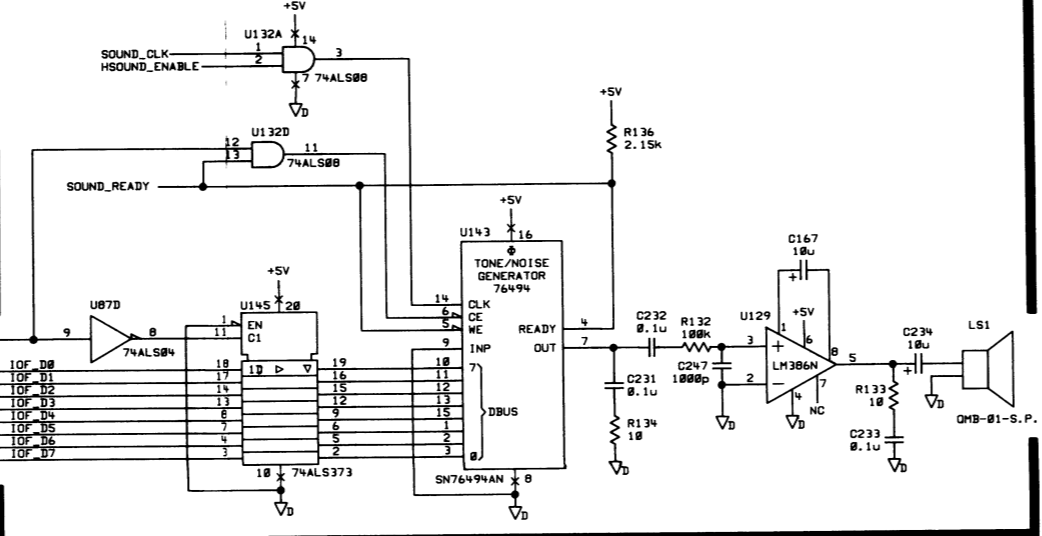
68020 CONTROL BUS

68020 CONTROL BUS

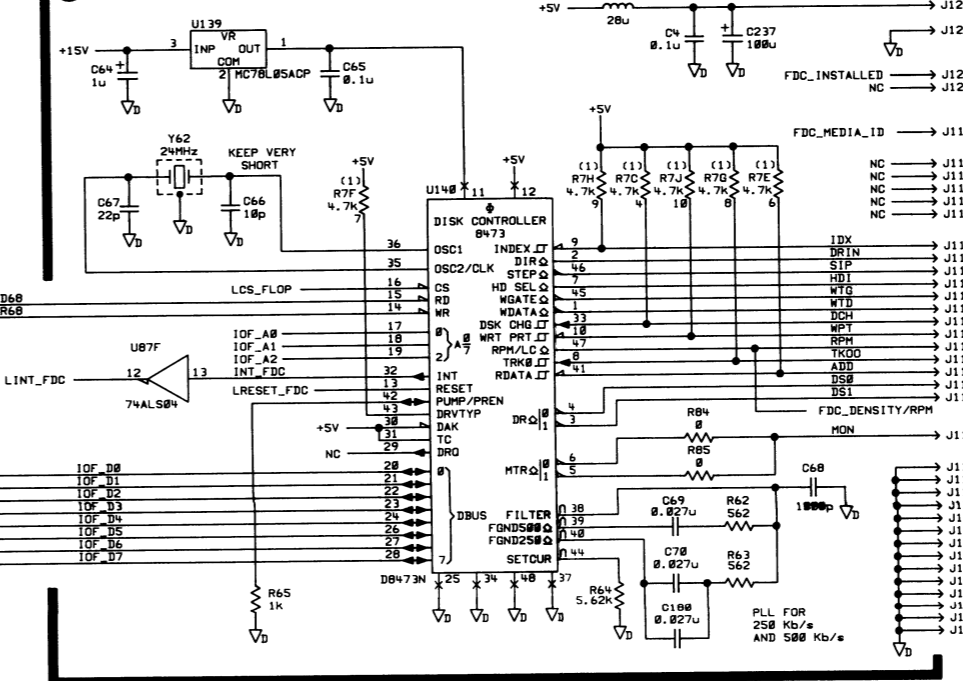
REAL TIME CLOCK



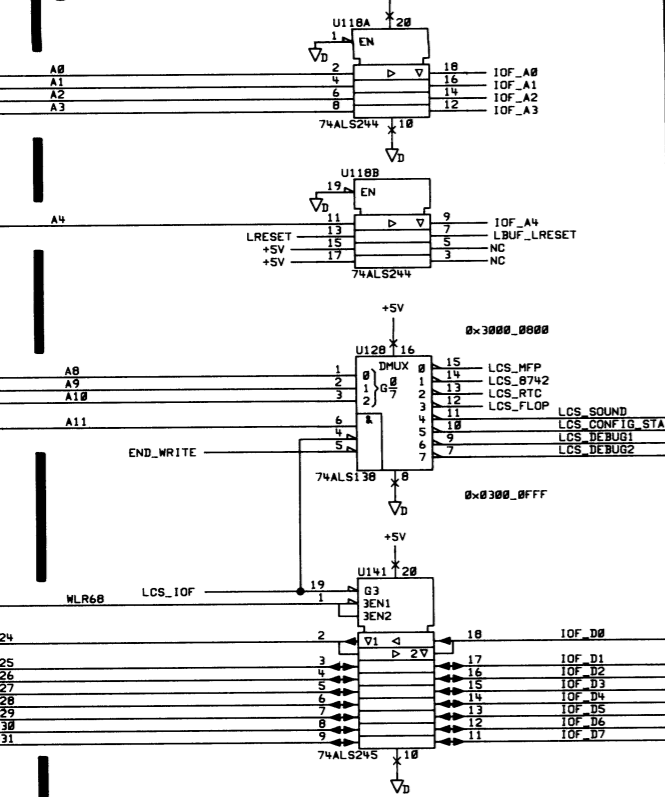
SOUND GENERATOR



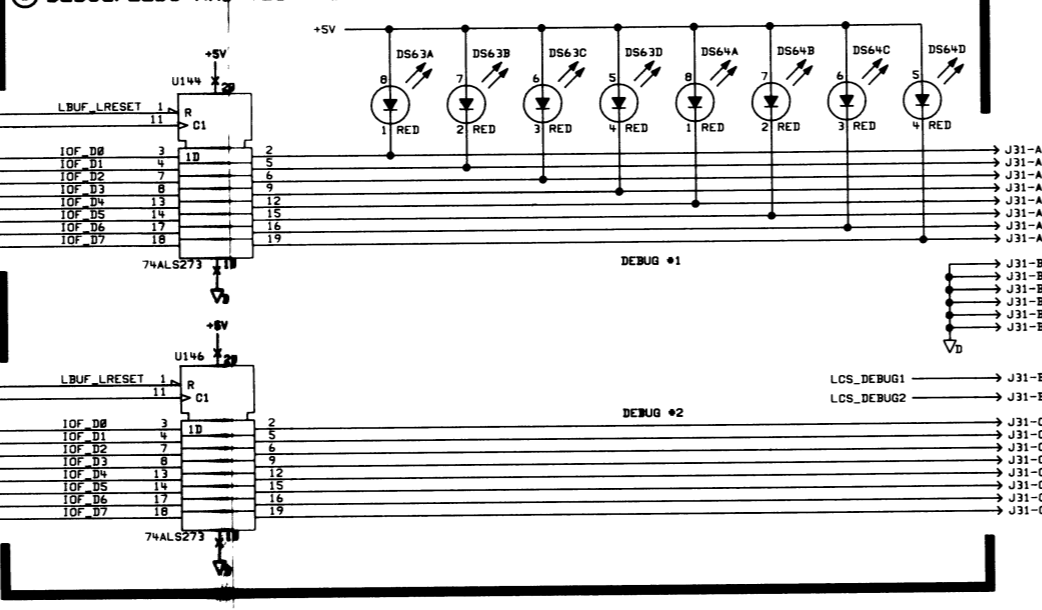
FLOPPY DISK INTERFACE



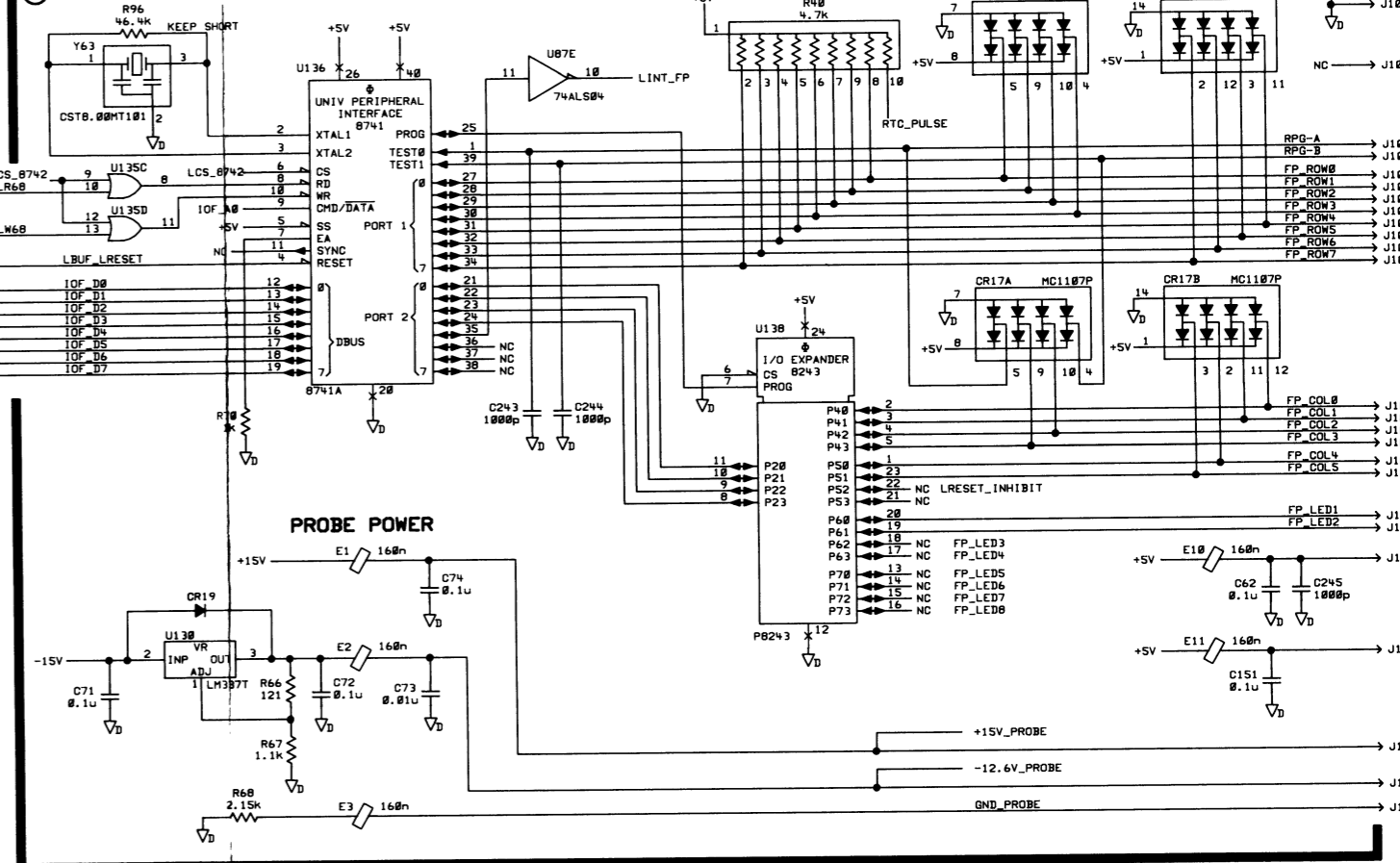
FRONT PANEL DECODE



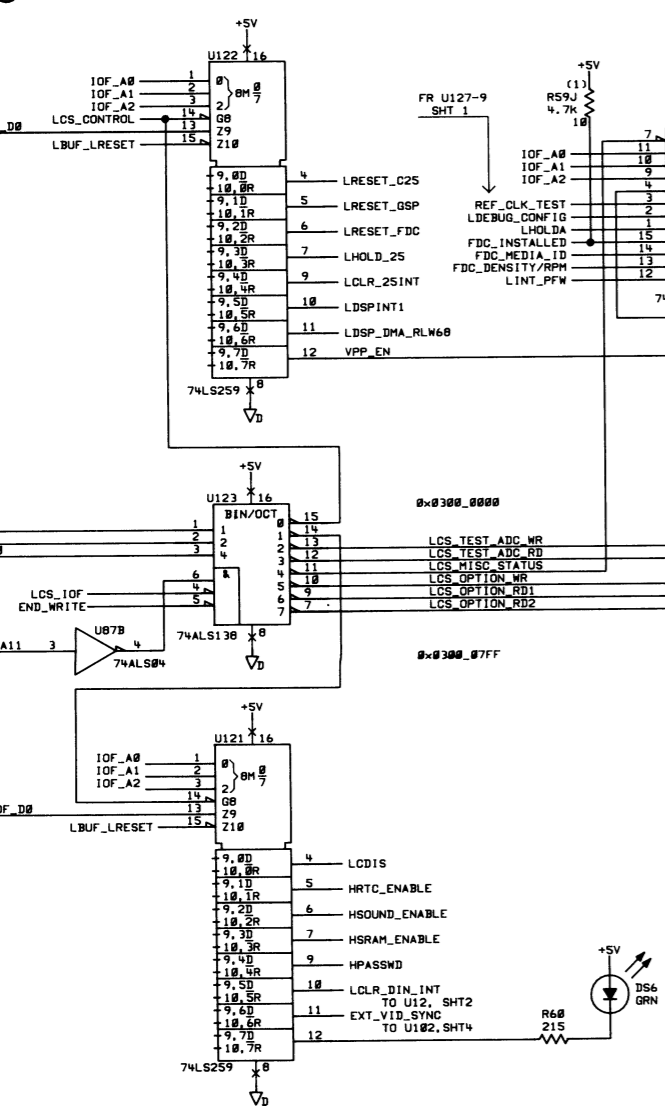
DEBUG/LEDS AND TEST POINTS



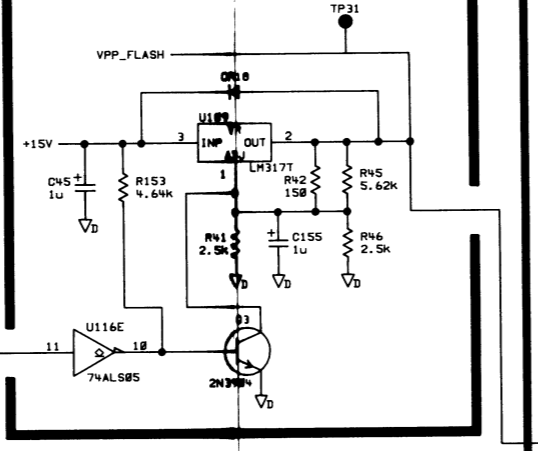
FRONT PANEL INTERFACE



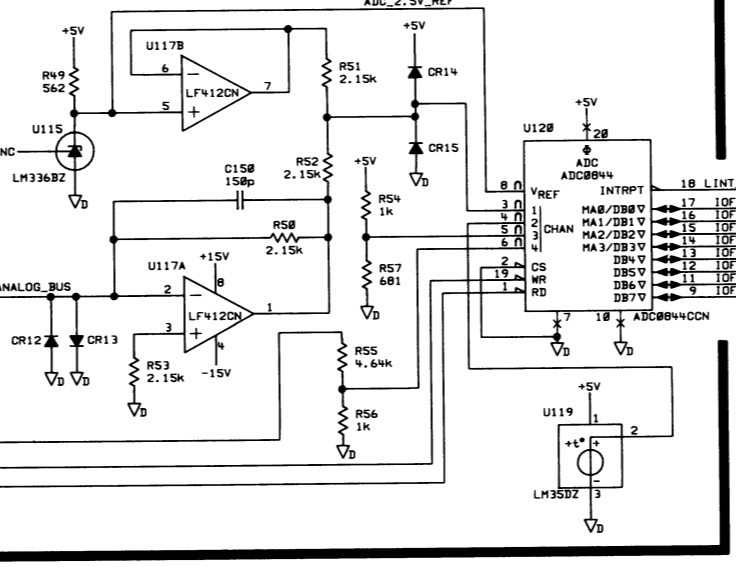
DECODE. CONTROL LATCHES



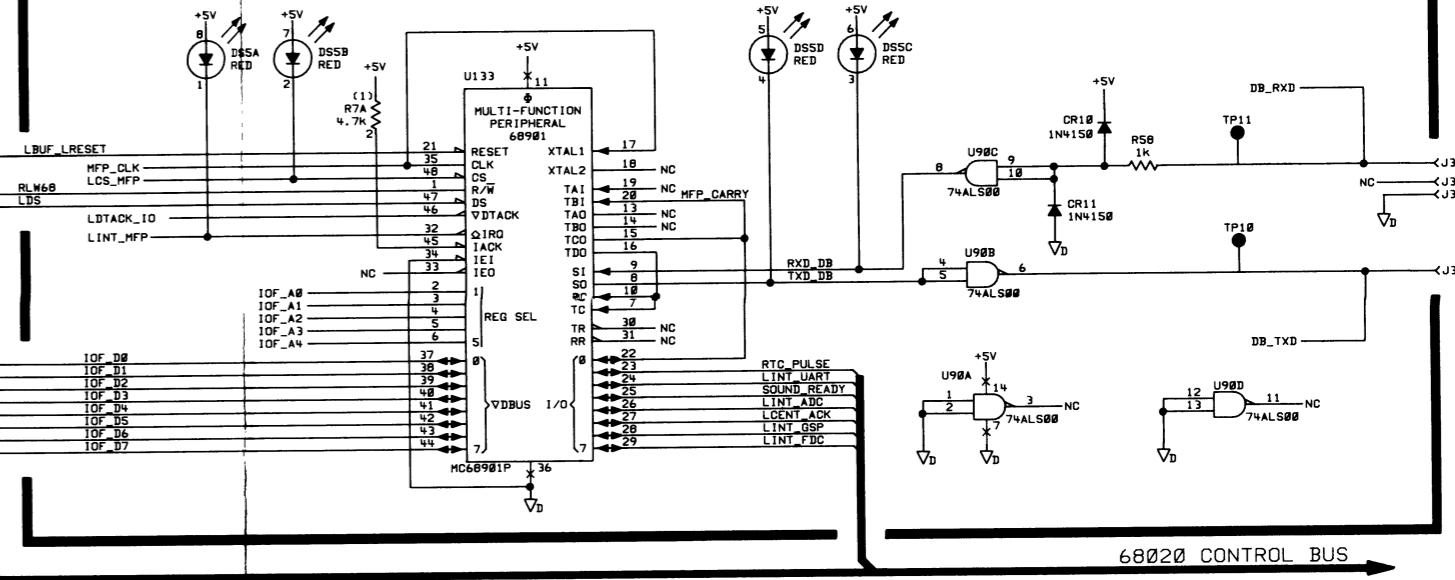
VPP FLASH



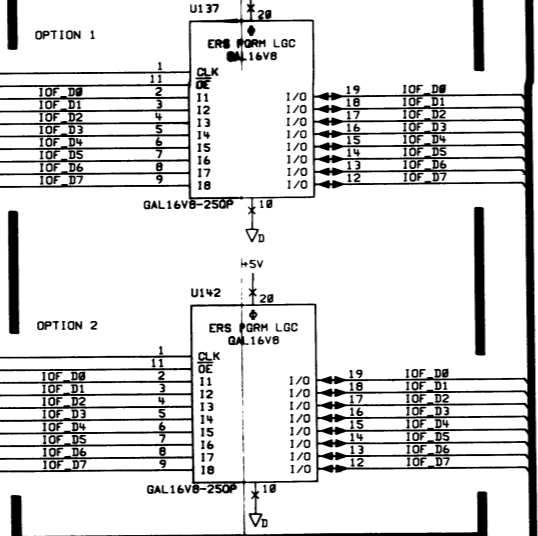
ANALOG BUS AND SELF TEST ADC



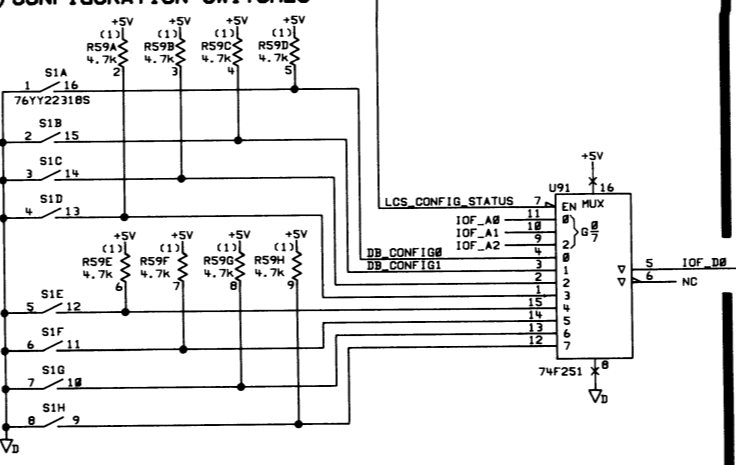
DEBUG RS-232 TIMER, INTERRUPT CONTROL



OPTION KEYS



CONFIGURATION SWITCHES



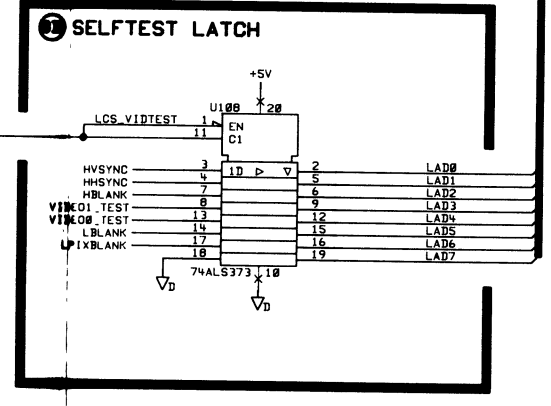
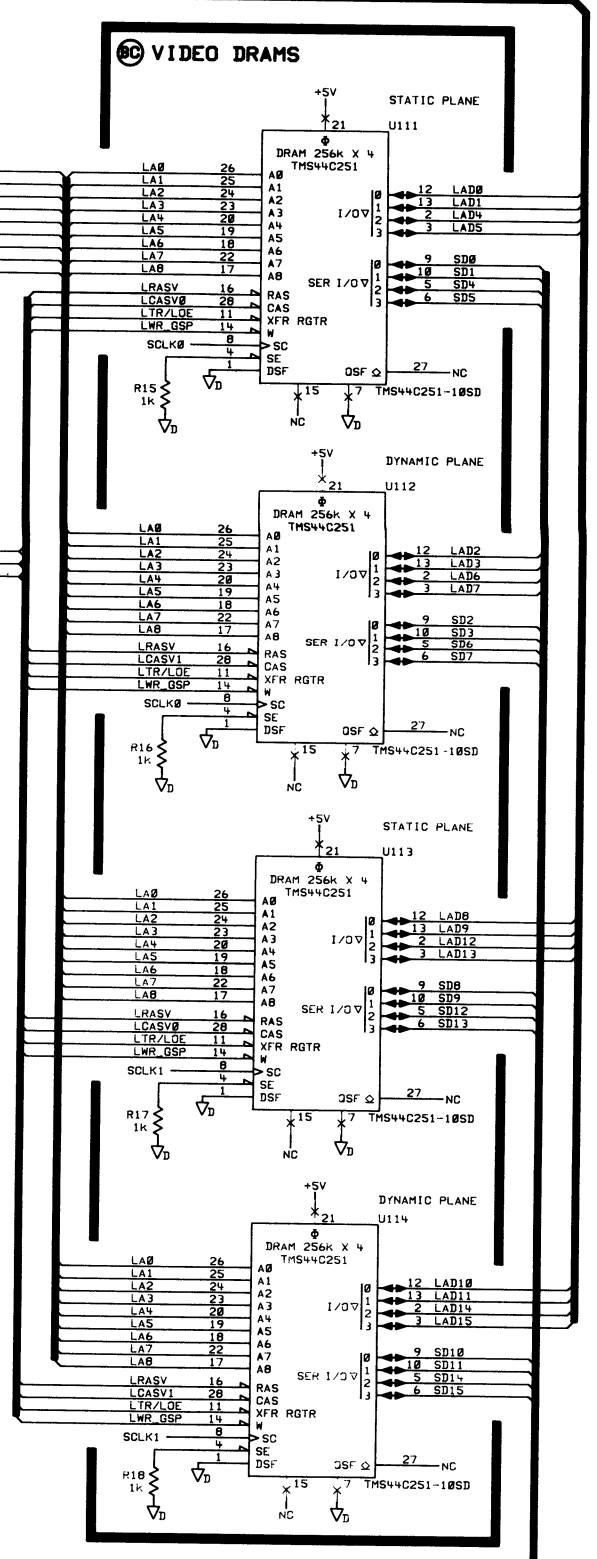
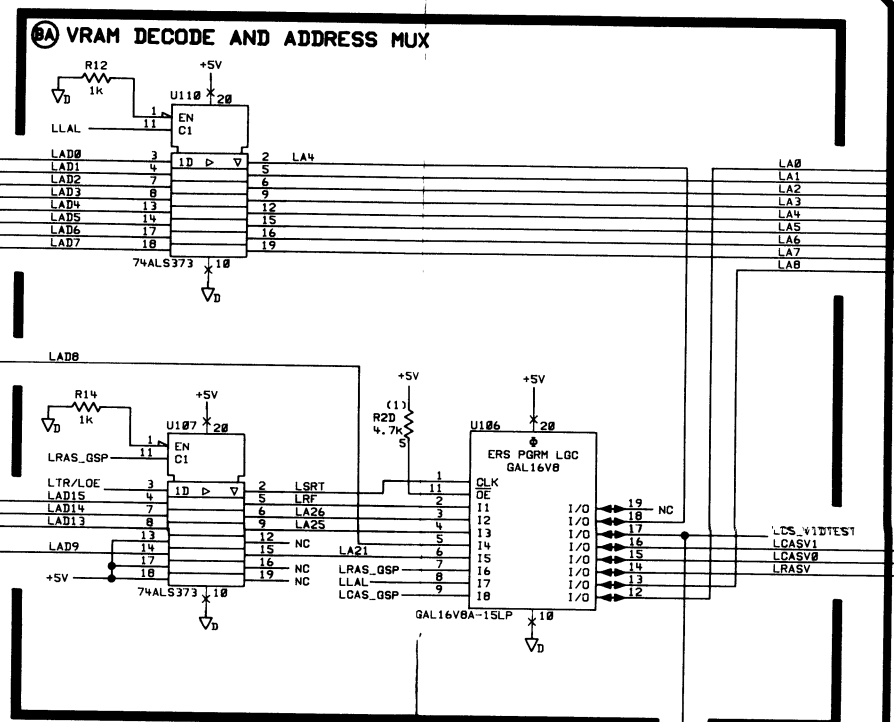
68020 DATA BUS

68020 CONTROL BUS

68020 DATA BUS

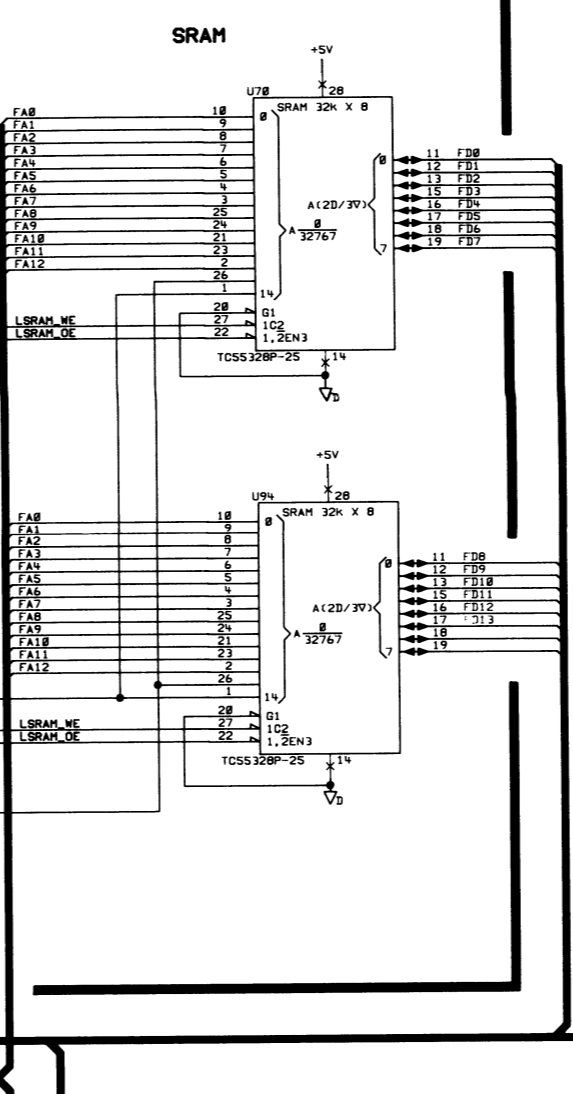
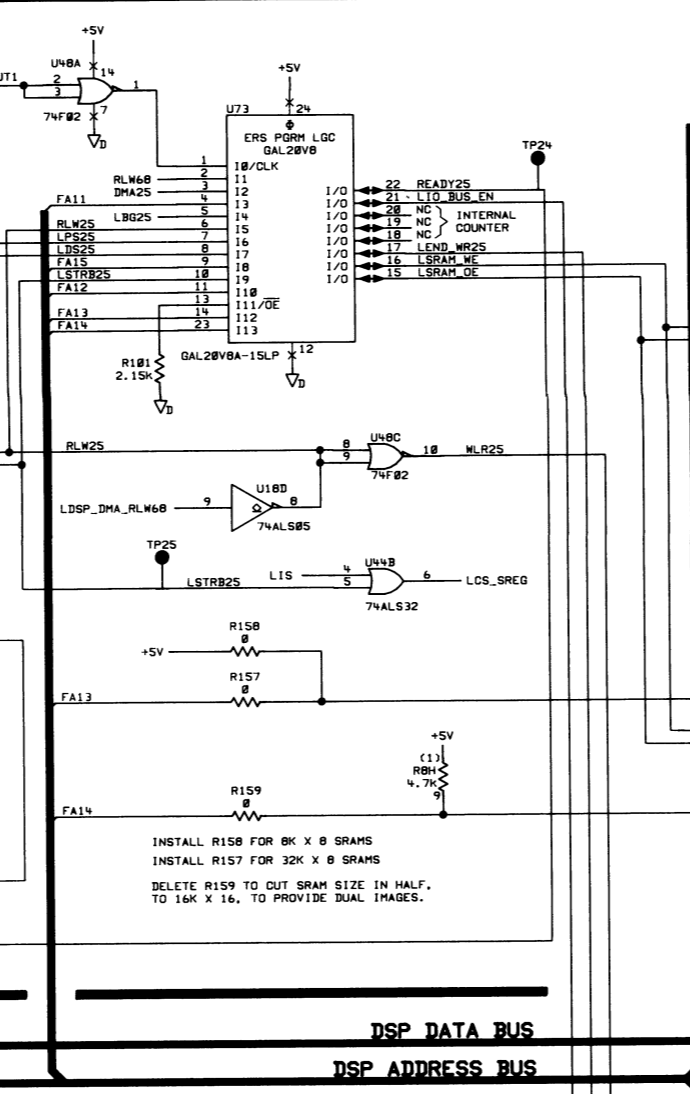
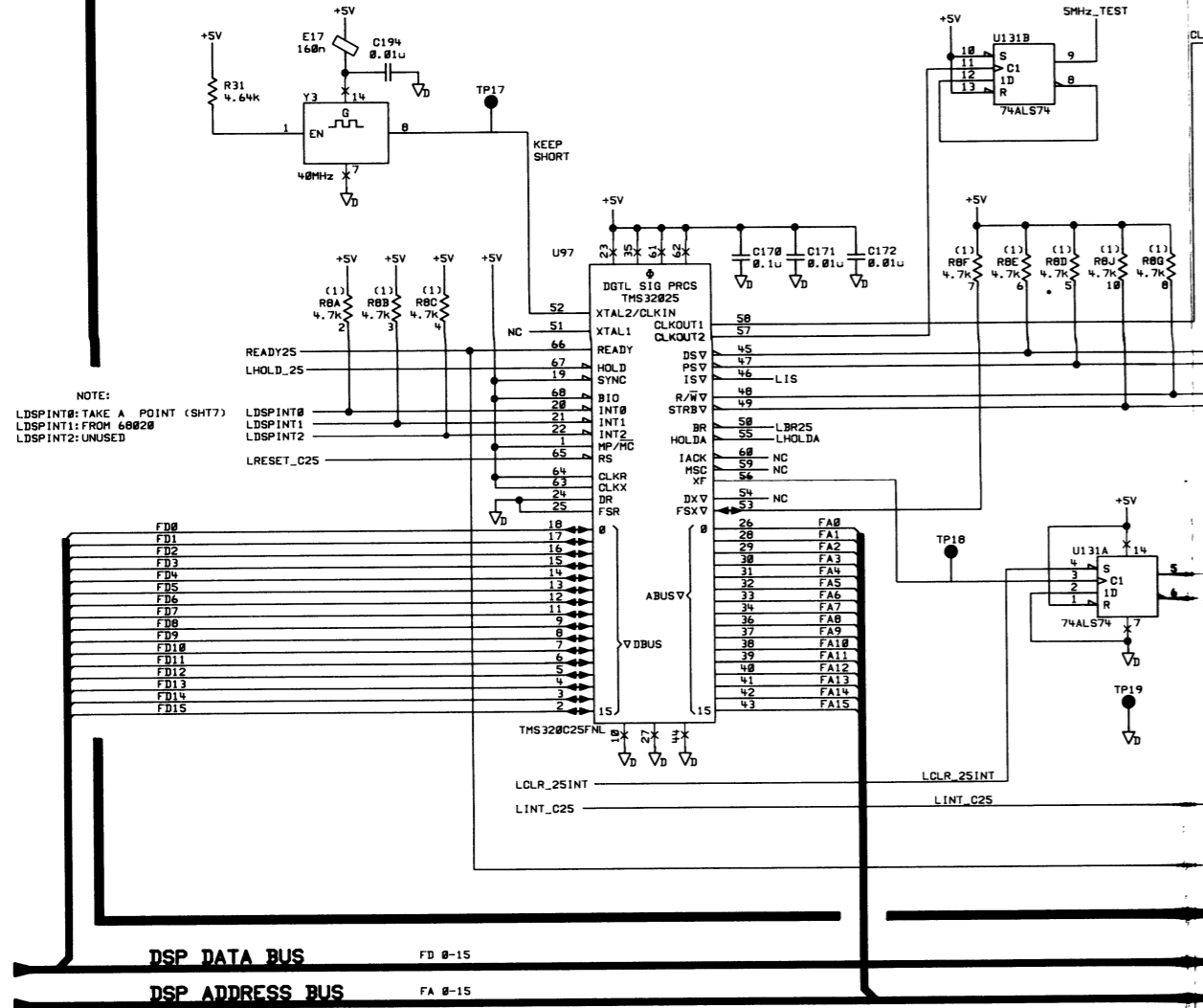


LOCAL LAD BUS

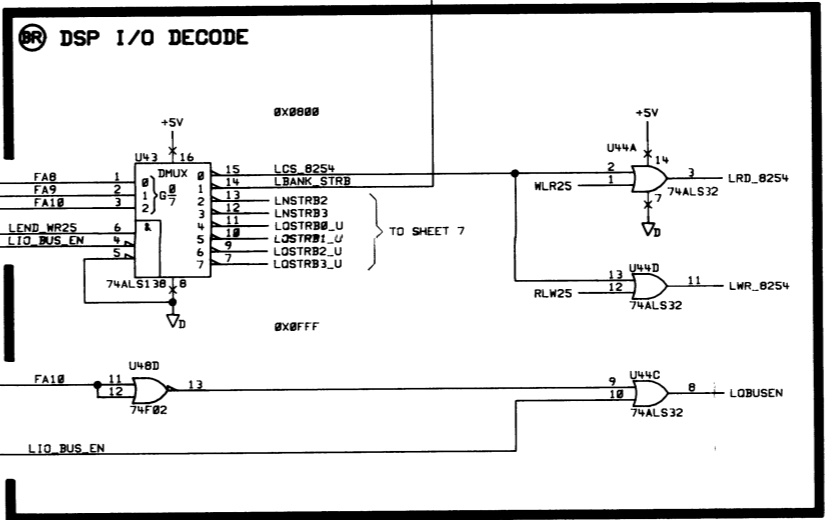
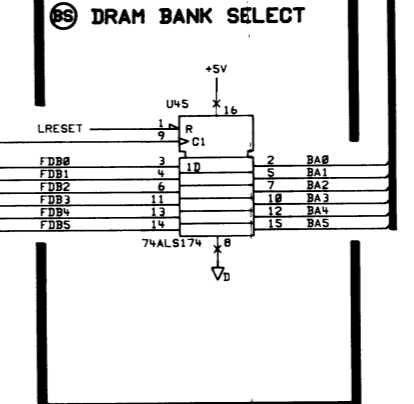
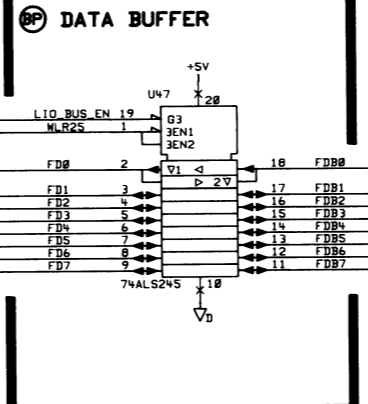
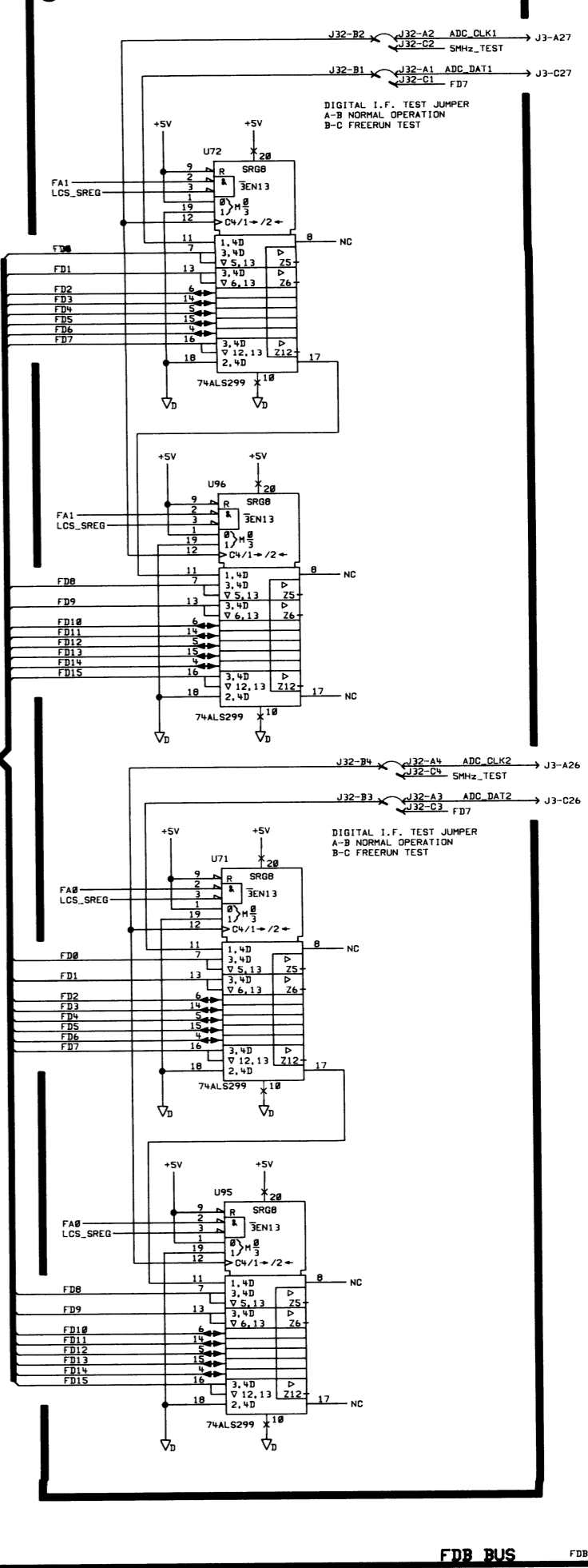




320C25 DIGITAL SIGNAL PROCESSOR

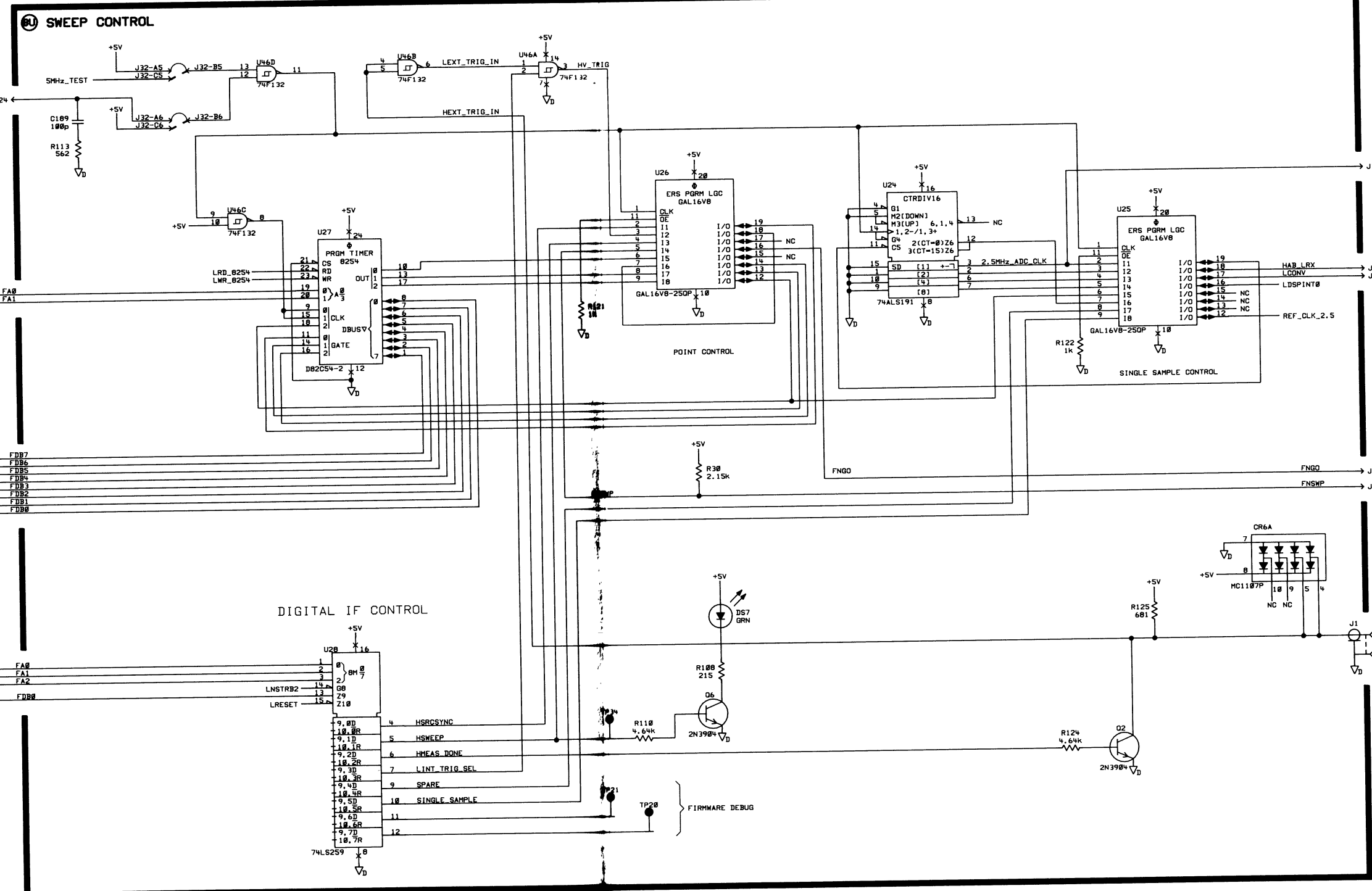


ADC\_SHIFT REGISTERS



FDB BUS FDB 8-7

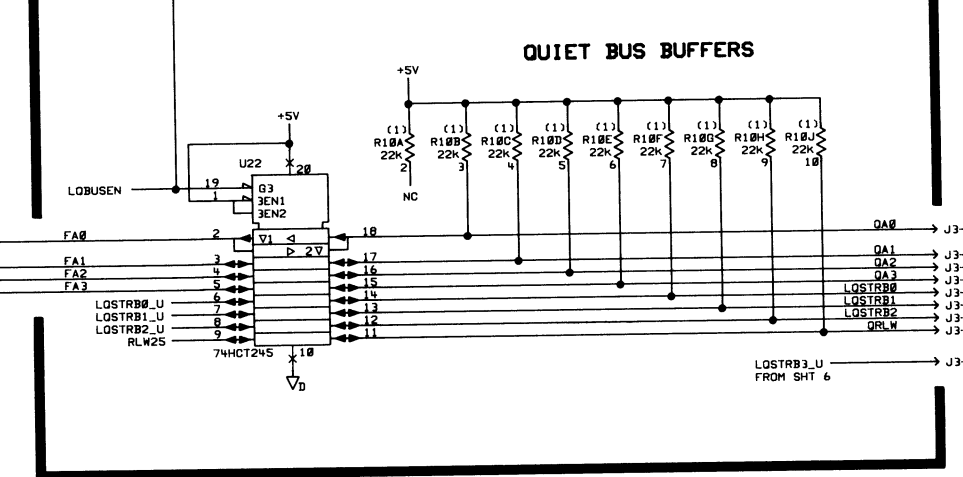
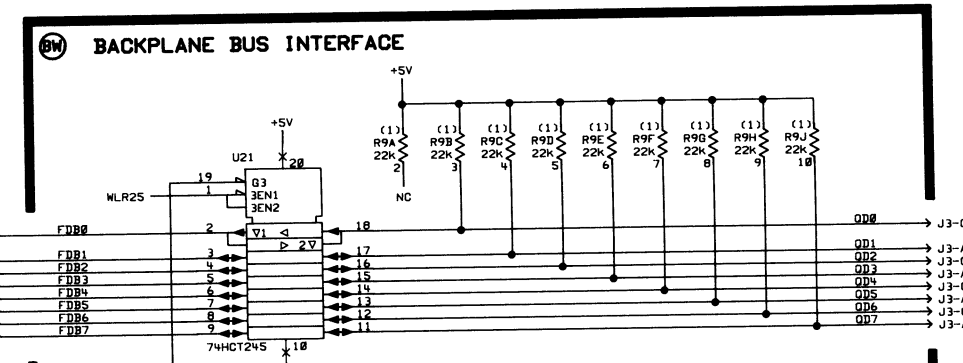
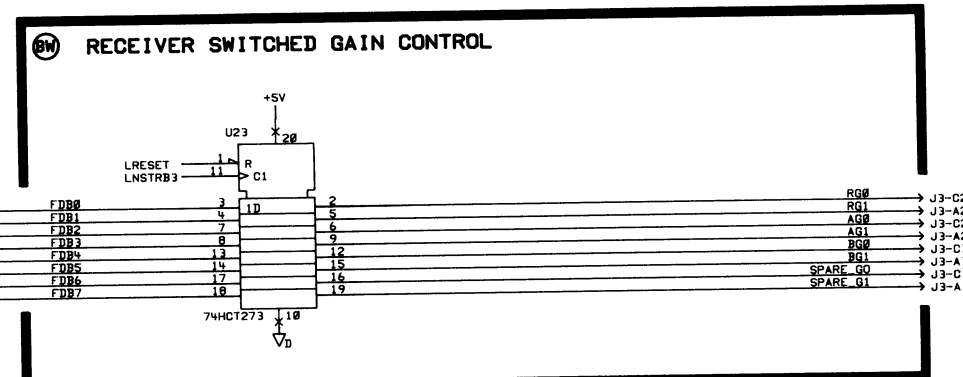
DSP DATA BUS  
 DSP ADDRESS BUS  
 FD BUS



FRAC\_N SWEEP CONTROL

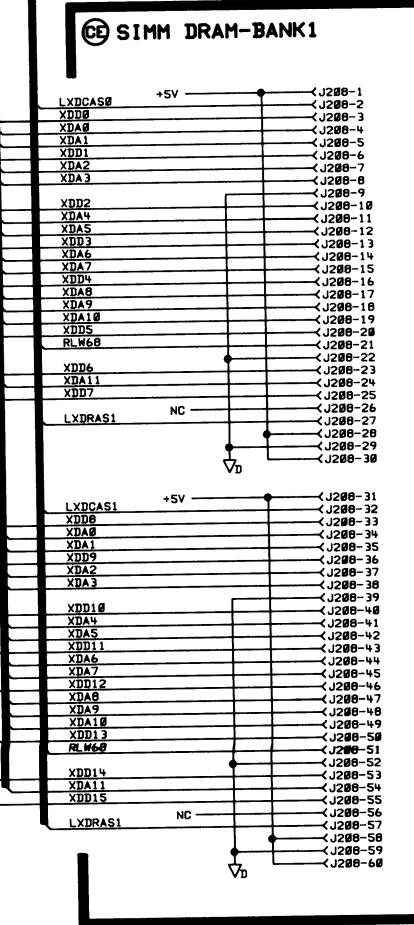
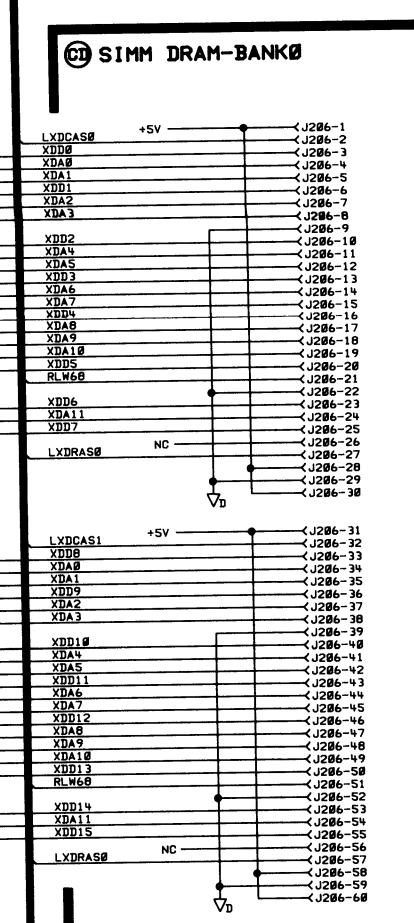
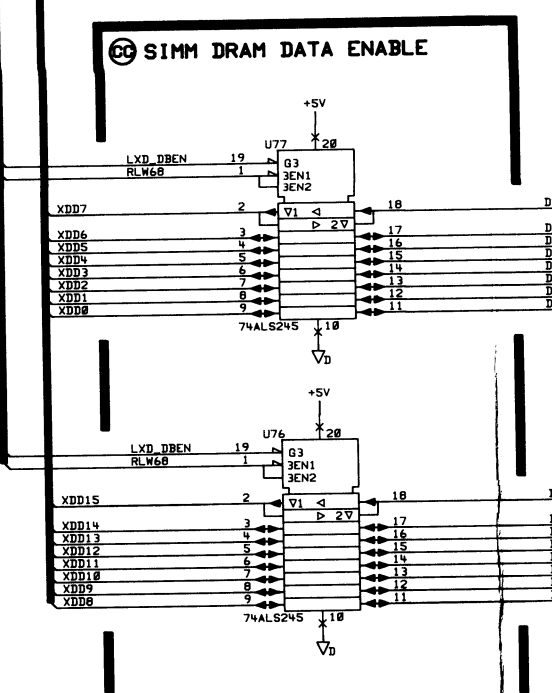
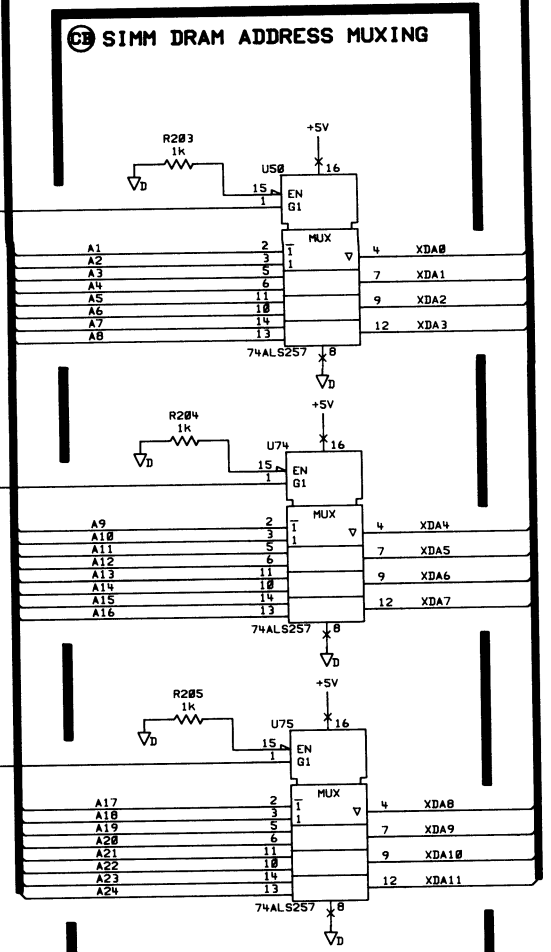
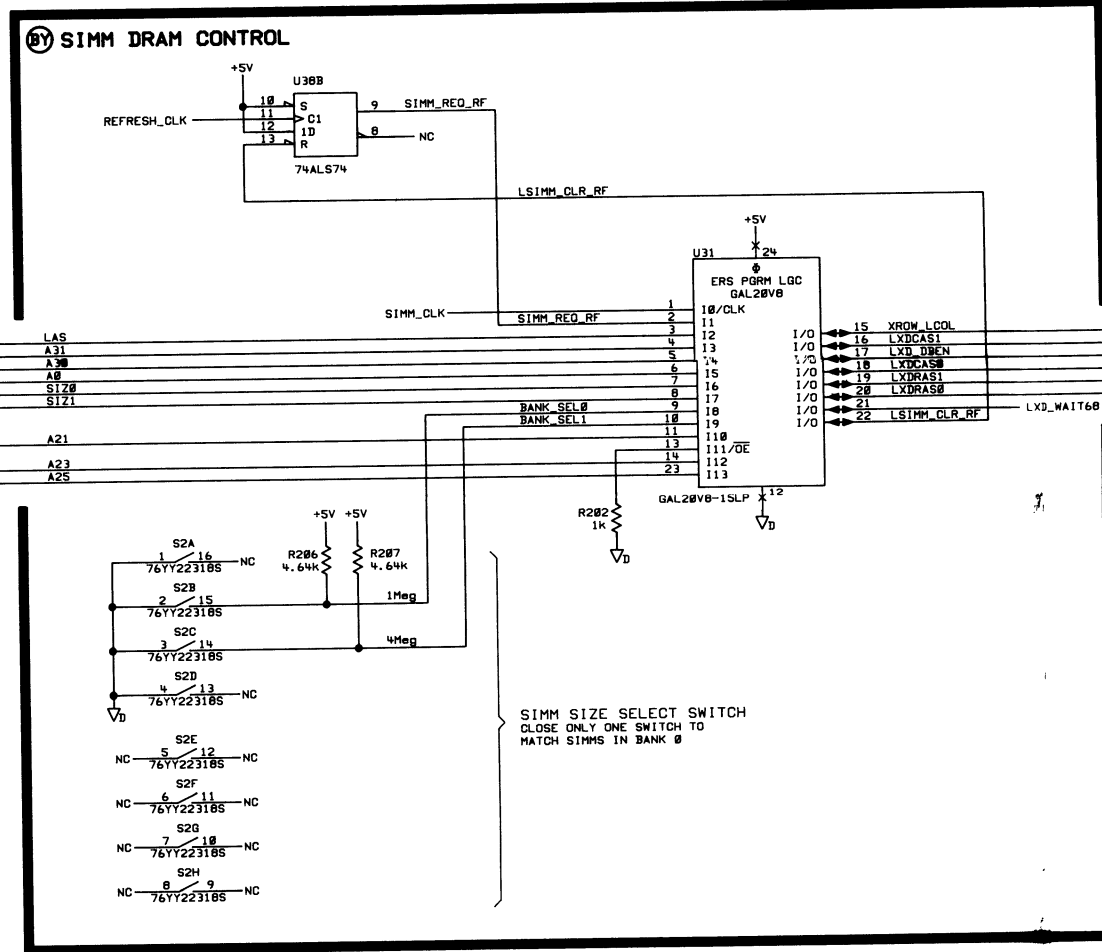
EXT TRIG IN/OUT

HIGH INPUT TAKES A POINT OR SWEEP.  
 LOW OUTPUT SIGNALS MEASUREMENT DONE.  
 LOW OUTPUT STAYS LOW FOR AT LEAST  
 1 USECOND BEFORE GOING HIGH AGAIN.



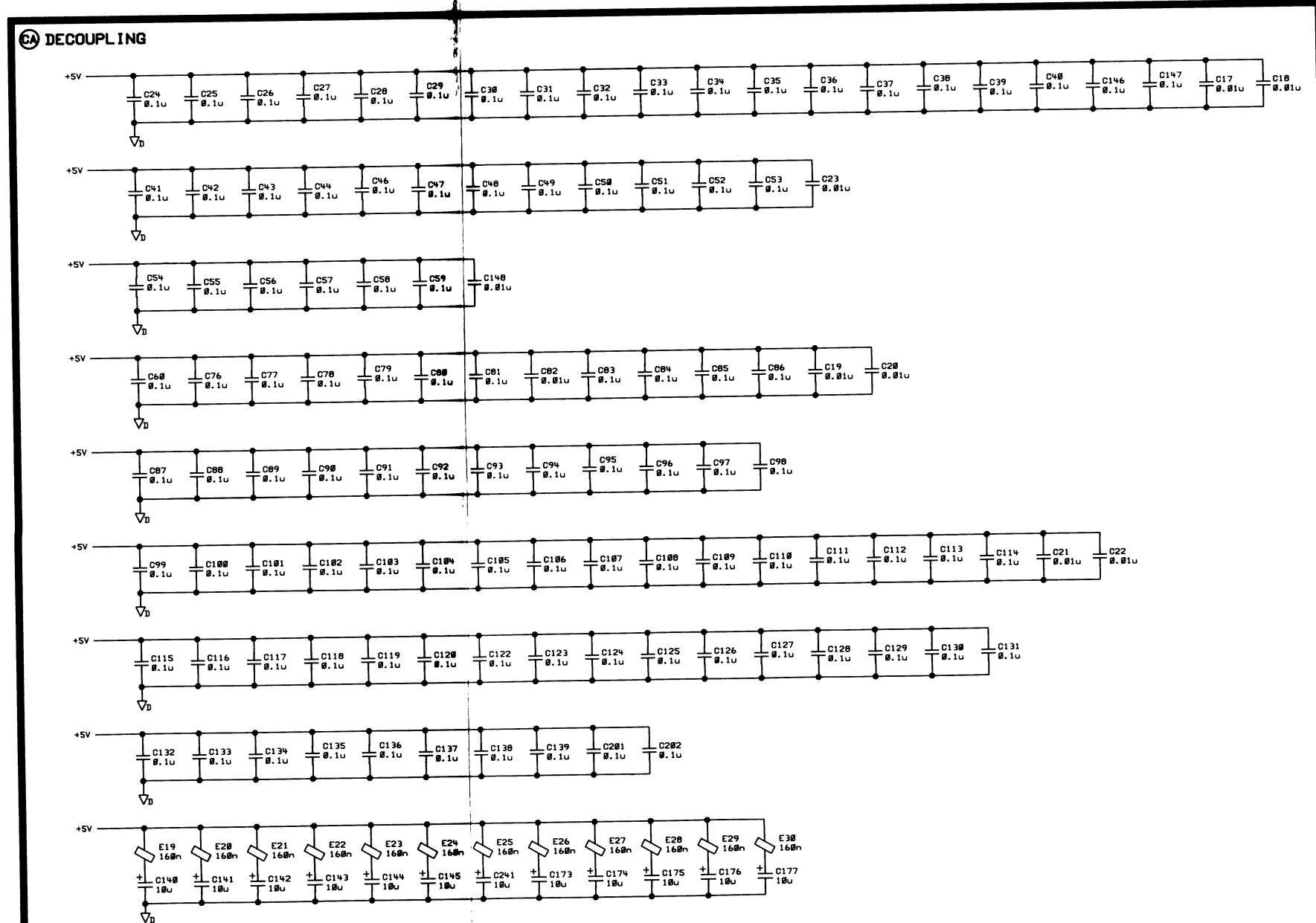
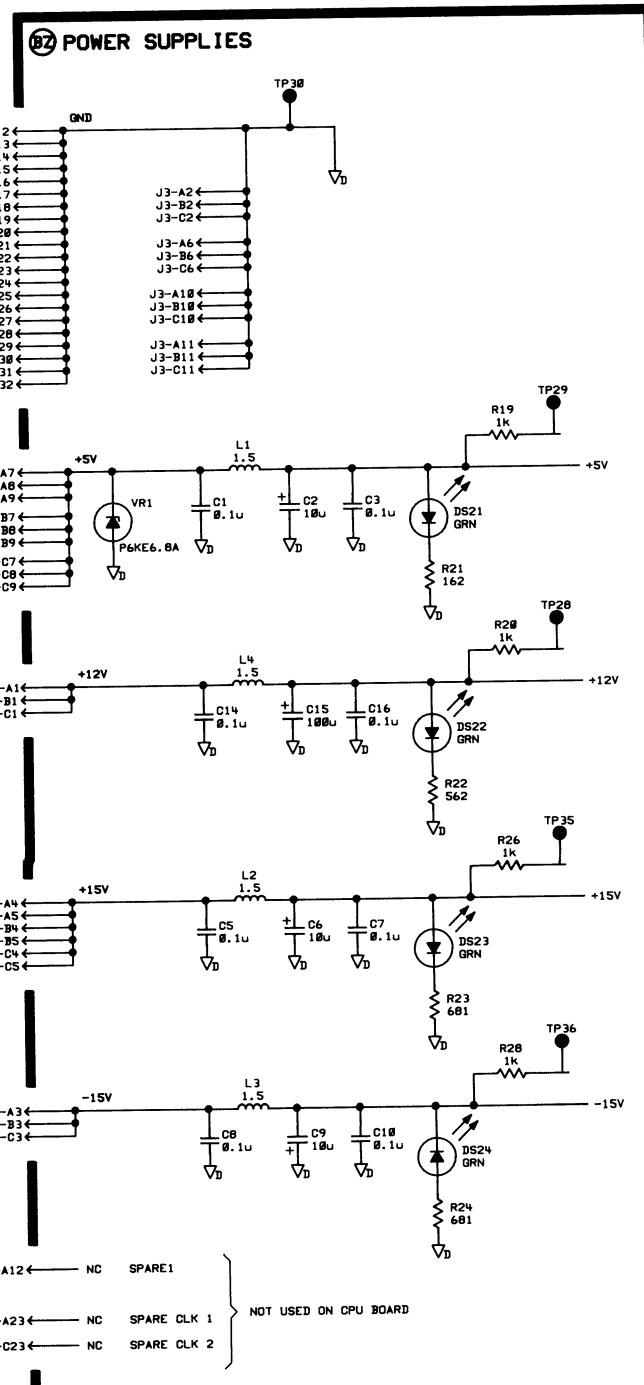


68020 DATA BUS  
 68020 ADDRESS BUS  
 68020 CONTROL BUS



INSTALL EQUAL SIZED SIMMS  
 IN EACH BANK  
 FILL BANK0 FIRST USING  
 LARGEST SIZE SIMMS.  
 SET SWITCH S2 TO MATCH BANK0.  
 LOAD WITH 1818-5337 SIMMS  
 FOR 1BASIC OPTION  
 (1810-4271 IS NOT SUPPORTED)

FILL BANK1 LAST.  
 USE SIMMS OF EQUAL OR SMALLER  
 SIZE THAN THOSE IN BANK0.



# **Schematic Package for 03325-66521 and 08711-60103 A3 Frac-N/Reference**

The A3 fractional-N/reference assembly consists of two boards which are attached together, the 08711-60103 reference and 03325-66521 fractional-N. This section contains the replaceable parts lists, component location diagrams, and circuit schematics for both of these boards.

The fractional-N board is the same as the one used in the HP 3325A, so you may find more troubleshooting information in the service manual for that product. For the reference board, there is a list which shows the major test points and provides information on the expected measurement at each test point.

**Copyright ©1992 Hewlett-Packard Company  
Printed October 23, 1992  
Printed in USA**



**Replaceable Parts List for A3 Reference Assembly, Part Number 03325-66521 (1 of 6)**

Reference Designation	HP Part Number	Qty	Description	Mfr Code	Mfr Part Number
A3	03325-66521	1	BD AY-FRAC N	28480	03325-66521
A3BB001	03325-26521	1			
A3C001	0160-6638	1	CAP-FXD 56pF ±5% 300 V MICA	10784	HP15560J3ST
A3C002	0160-4832	1	CAP-FXD 0.01uF ±10% 100 V CER X7R	09939	RPA10X7R103K100V
A3C003	0180-1861	1	CAP-FXD 27uF ±10% 10 V TA	04200	150D276X9010B2-DYS
A3C004	0180-4133	1	CAP-FXD 15uF ±10% 20 V TA	04200	173D156X9020X
A3C006	0160-6638	1	CAP-FXD 56pF ±5% 300 V MICA	10784	HP15560J3ST
A3C007	0160-4571	1	CAP-FXD 0.1uF +80% -20% 50 V CER Z5U	09939	RPA10Z5U104Z50V
A3C008	0160-4832	1	CAP-FXD 0.01uF ±10% 100 V CER X7R	09939	RPA10X7R103K100V
A3C009	0160-4832	1	CAP-FXD 0.01uF ±10% 100 V CER X7R	09939	RPA10X7R103K100V
A3C010	0160-4571	1	CAP-FXD 0.1uF +80% -20% 50 V CER Z5U	09939	RPA10Z5U104Z50V
A3C011	0180-1861	1	CAP-FXD 27uF ±10% 10 V TA	04200	150D276X9010B2-DYS
A3C012	0160-4832	1	CAP-FXD 0.01uF ±10% 100 V CER X7R	09939	RPA10X7R103K100V
A3C013	0160-6865	1	CAP-FXD 5.1pF ±4.9% 500 V CER COH	09538	301 089 COH0 519C
A3C014	0160-4832	1	CAP-FXD 0.01uF ±10% 100 V CER X7R	09939	RPA10X7R103K100V
A3C015	P0160-2222C	1			
A3C016	0160-4832	1	CAP-FXD 0.01uF ±10% 100 V CER X7R	09939	RPA10X7R103K100V
A3C017	P0160-4461A	1			
A3C018	P0160-2257A	1			
A3C019	0180-4133	1	CAP-FXD 15uF ±10% 20 V TA	04200	173D156X9020X
A3C021	0180-4133	1	CAP-FXD 15uF ±10% 20 V TA	04200	173D156X9020X
A3C022	P0160-4640B	1			
A3C023	0160-4832	1	CAP-FXD 0.01uF ±10% 100 V CER X7R	09939	RPA10X7R103K100V
A3C024	P0140-0149A	1			
A3C026	0160-4832	1	CAP-FXD 0.01uF ±10% 100 V CER X7R	09939	RPA10X7R103K100V
A3C027	P0160-2243A	1			
A3C028	0160-2208	1	CAP-FXD 330pF ±5% 300 V MICA	10492	CM1-330PF
A3C029	0160-4832	1	CAP-FXD 0.01uF ±10% 100 V CER X7R	09939	RPA10X7R103K100V
A3C031	0160-4832	1	CAP-FXD 0.01uF ±10% 100 V CER X7R	09939	RPA10X7R103K100V
A3C032	0160-4571	1	CAP-FXD 0.1uF +80% -20% 50 V CER Z5U	09939	RPA10Z5U104Z50V
A3C131	0160-6638	1	CAP-FXD 56pF ±5% 300 V MICA	10784	HP15560J3ST
A3C132	0160-4832	1	CAP-FXD 0.01uF ±10% 100 V CER X7R	09939	RPA10X7R103K100V
A3C133	0160-4832	1	CAP-FXD 0.01uF ±10% 100 V CER X7R	09939	RPA10X7R103K100V
A3C134	0160-4571	1	CAP-FXD 0.1uF +80% -20% 50 V CER Z5U	09939	RPA10Z5U104Z50V
A3C135	0160-4832	1	CAP-FXD 0.01uF ±10% 100 V CER X7R	09939	RPA10X7R103K100V
A3C136	0160-4832	1	CAP-FXD 0.01uF ±10% 100 V CER X7R	09939	RPA10X7R103K100V
A3C137	0160-4832	1	CAP-FXD 0.01uF ±10% 100 V CER X7R	09939	RPA10X7R103K100V
A3C138	0140-0206	1	CAP-FXD 270pF ±5% 500 V MICA	10784	
A3C139	0160-4832	1	CAP-FXD 0.01uF ±10% 100 V CER X7R	09939	RPA10X7R103K100V
A3C140	0160-4832	1	CAP-FXD 0.01uF ±10% 100 V CER X7R	09939	RPA10X7R103K100V
A3C141	0180-4133	1	CAP-FXD 15uF ±10% 20 V TA	04200	173D156X9020X
A3C142	0160-4832	1	CAP-FXD 0.01uF ±10% 100 V CER X7R	09939	RPA10X7R103K100V
A3C143	0160-4832	1	CAP-FXD 0.01uF ±10% 100 V CER X7R	09939	RPA10X7R103K100V
A3C144	0180-1861	1	CAP-FXD 27uF ±10% 10 V TA	04200	150D276X9010B2-DYS
A3C145	0180-4133	1	CAP-FXD 15uF ±10% 20 V TA	04200	173D156X9020X
A3C162	0160-6505	1	CAP-FXD 0.01uF ±20% 100 V CER X7R	09939	RPE121-978X7R103M100V
A3C163	0160-4832	1	CAP-FXD 0.01uF ±10% 100 V CER X7R	09939	RPA10X7R103K100V
A3C164	0160-4832	1	CAP-FXD 0.01uF ±10% 100 V CER X7R	09939	RPA10X7R103K100V
A3C167	0160-4832	1	CAP-FXD 0.01uF ±10% 100 V CER X7R	09939	RPA10X7R103K100V
A3C168	0160-6662	1	CAP-FXD 100pF ±5% 300 V MICA	10784	HP15101J3ST
A3C169	0160-4832	1	CAP-FXD 0.01uF ±10% 100 V CER X7R	09939	RPA10X7R103K100V
A3C171	0180-4133	1	CAP-FXD 15uF ±10% 20 V TA	04200	173D156X9020X
A3C173	0180-4134	1	CAP-FXD 22uF ±10% 15 V TA	04200	173D226X9015X
A3C174	0160-6662	1	CAP-FXD 100pF ±5% 300 V MICA	10784	HP15101J3ST
A3C176	0160-6519	1	CAP-FXD 470pF ±20% 100 V CER X7R	09939	RPE121-978X7R471M100V
A3C177	0160-6505	1	CAP-FXD 0.01uF ±10% 100 V CER X7R	09939	RPE121-978X7R103M100V
A3C178	0160-4832	1	CAP-FXD 0.01uF ±10% 100 V CER X7R	09939	RPA10X7R103K100V
A3C179	0160-6522	1	CAP-FXD 1000pF ±5% 100 V CER COG	09939	RPE121-978COG102J100V
A3C181	0160-6662	1	CAP-FXD 100pF ±5% 300 V MICA	10784	HP15101J3ST
A3C182	P0160-4441A	1			
A3C183	0160-6688	1	CAP-FXD 1uF ±20% 50 V CER Z5U	09939	RPE113-907Z5U105M50V
A3C184	0160-4832	1	CAP-FXD 0.01uF ±10% 100 V CER X7R	09939	RPA10X7R103K100V
A3C185	0160-4832	1	CAP-FXD 0.01uF ±10% 100 V CER X7R	09939	RPA10X7R103K100V
A3C186	0160-4832	1	CAP-FXD 0.01uF ±10% 100 V CER X7R	09939	RPA10X7R103K100V
A3C187	0160-4832	1	CAP-FXD 0.01uF ±10% 100 V CER X7R	09939	RPA10X7R103K100V
A3C188	0160-6688	1	CAP-FXD 1uF ±20% 50 V CER Z5U	09939	RPE113-907Z5U105M50V
A3C190	0160-4571	1	CAP-FXD 0.1uF +80% -20% 50 V CER Z5U	09939	RPA10Z5U104Z50V

**Replaceable Parts List for A3 Reference Assembly, Part Number 03325-66521 (2 of 6)**

Reference Designation	HP Part Number	Qty	Description	Mfr Code	Mfr Part Number
A3C195	P0160-3876A	1			
A3C196	P0160-4283B	1			
A3C197	P0160-4283B	1			
A3C301	0160-6505	1	CAP-FXD 0.01uF ±20% 100 V CER X7R	09939	RPE121-978X7R103M100V
A3C302	P0160-4832A	1			
A3C0331	0160-4571	1	CAP-FXD 0.1uF +80% -20% 50 V CER Z5U	09939	RPA10Z5U104Z50V
A3CR001	1901-0040	1	DIODE-SWITCHING 30V 50MA 2NS DO-35	04486	
A3CR002	1901-0040	1	DIODE-SWITCHING 30V 50MA 2NS DO-35	04486	
A3CR003	1901-0539	1	DIODE-SCHOTTKY SM SIG	12395	A2X355
A3CR004	1901-0539	1	DIODE-SCHOTTKY SM SIG	12395	A2X355
A3CR005	1901-0040	1	DIODE-SWITCHING 30V 50MA 2NS DO-35	04486	
A3CR006	1902-0777	1	DIODE-ZNR 1N825 6.2V 5% DO-7 PD=.4W		
A3CR007	1902-0777	1	DIODE-ZNR 1N825 6.2V 5% DO-7 PD=.4W		
A3CR008	1901-0539	1	DIODE-SCHOTTKY SM SIG	12395	A2X355
A3CR009	1901-0539	1	DIODE-SCHOTTKY SM SIG	12395	A2X355
A3CR011	1901-0040	1	DIODE-SWITCHING 30V 50MA 2NS DO-35	04486	
A3CR012	1901-0040	1	DIODE-SWITCHING 30V 50MA 2NS DO-35	04486	
A3CR013	1901-0040	1	DIODE-SWITCHING 30V 50MA 2NS DO-35	04486	
A3CR016	1901-0040	1	DIODE-SWITCHING 30V 50MA 2NS DO-35	04486	
A3CR017	1902-3054	1	DIODE-ZNR 3.65V 5% DO-35 PD=.4W	02688	
A3CR018	1902-0064	1	DIODE-ZNR 7.5V 5% DO-35 PD=.4W TC=+.05%	02688	
A3CR019	1902-0064	1	DIODE-ZNR 7.5V 5% DO-35 PD=.4W TC=+.05%	02688	
A3CR020	1901-0040	1	DIODE-SWITCHING 30V 50MA 2NS DO-35	04486	
A3CR131	1902-3030	1	DIODE-ZNR 3.01V 5% DO-7 PD=.4W TC=-.067	02688	
A3CR161	1901-0518	1	DIODE-SCHOTTKY SM SIG	12395	5082-2800
A3CR162	P1901-0040B	1			
A3CR163	1901-0518	1	DIODE-SCHOTTKY SM SIG	12395	5082-2800
A3CR164	P0122-0162A	1			
A3CR165	1901-0518	1	DIODE-SCHOTTKY SM SIG	12395	5082-2800
A3CR166	P0122-0162A	1			
A3J001	1252-2407	1	CONN-POST TYPE .100-PIN-SPOG 21-CONT		
A3J007	1251-2969	1	CONNECTOR-PHONO SINGLE PHONO JACK; DIP		
A3J008	1251-2969	1	CONNECTOR-PHONO SINGLE PHONO JACK; DIP		
A3J015	1251-2969	1	CONNECTOR-PHONO SINGLE PHONO JACK; DIP		
A3J016	1251-2969	1	CONNECTOR-PHONO SINGLE PHONO JACK; DIP		
A3J017	1251-2969	1	CONNECTOR-PHONO SINGLE PHONO JACK; DIP		
A3J018	1251-2969	1	CONNECTOR-PHONO SINGLE PHONO JACK; DIP		
A3J0181	1251-2969	1	CONNECTOR-PHONO SINGLE PHONO JACK; DIP		
A3L001	9100-1622	1	INDUCTOR RF-CH-MLD 24UH ±5%	05826	1537-46
A3L002	9100-1622	1	INDUCTOR RF-CH-MLD 24UH ±5%	05826	1537-46
A3L003	P9100-1791C	1			
A3L132	P9100-1791C	1			
A3L133	P7175-0057A	1			
A3L161	P9100-1791C	1			
A3L162	9140-0460	1	COIL-VAR 351NH-429NH Q=120 PC-MTG	08123	HR39T
A3L163	9100-0539	1	INDUCTOR RF-CH-MLD 10UH ±5%	03706	21001M-5%
A3L165	9140-0349	1	INDUCTOR RF-CH-MLD 1.1UH ±5%	02172	15A1R1J
A3MP019	1200-0567	1	SOCKET-IC-DIP 28-CONT DIP DIP-SLDR	13369	DILB28P-306T
A3Q001	1853-0639	1	TRANSISTOR PNP SI TO-92 PD=625MW		
A3Q002	1853-0639	1	TRANSISTOR PNP SI TO-92 PD=625MW		
A3Q003	P1854-0345D	1			
A3Q004	1853-0639	1	TRANSISTOR PNP SI TO-92 PD=625MW		
A3Q006	1853-0640	1	TRANSISTOR PNP SI TO-92 PD=625MW		
A3Q007	1853-0640	1	TRANSISTOR PNP SI TO-92 PD=625MW		
A3Q008	1853-0640	1	TRANSISTOR PNP SI TO-92 PD=625MW		
A3Q009	1854-1140	1	TRANSISTOR NPN SI TO-92 PD=350MW		
A3Q010	1853-0640	1	TRANSISTOR PNP SI TO-92 PD=625MW		
A3Q011	1854-1140	1	TRANSISTOR NPN SI TO-92 PD=350MW		
A3Q012	1853-0640	1	TRANSISTOR PNP SI TO-92 PD=625MW		
A3Q013	1854-1140	1	TRANSISTOR NPN SI TO-92 PD=350MW		
A3Q014	1854-1140	1	TRANSISTOR NPN SI TO-92 PD=350MW		
A3Q016	1854-1140	1	TRANSISTOR NPN SI TO-92 PD=350MW		
A3Q017	P1855-0308D	1			
A3Q018	P1855-0081A	1			
A3Q019	P1855-0081A	1			
A3Q021	P1855-0689A	1			
A3Q022	1854-1028	1	TRANSISTOR NPN SI TO-92 PD=625MW		

*Replaceable Parts List for A3 Reference Assembly, Part Number 03325-66521 (3 of 6)*

Reference Designation	HP Part Number	Qty	Description	Mfr Code	Mfr Part Number
A3Q023	1854-1028	1	TRANSISTOR NPN SI TO-92 PD=625MW		
A3Q024	1854-1028	1	TRANSISTOR NPN SI TO-92 PD=625MW		
A3Q025	1853-0640	1	TRANSISTOR PNP SI TO-92 PD=625MW		
A3Q026	1854-1028	1	TRANSISTOR NPN SI TO-92 PD=625MW		
A3Q027	P1855-0081A	1			
A3Q028	1854-1140	1	TRANSISTOR NPN SI TO-92 PD=350MW		
A3Q029	1854-1140	1	TRANSISTOR NPN SI TO-92 PD=350MW		
A3Q031	1853-0640	1	TRANSISTOR PNP SI TO-92 PD=625MW		
A3Q032	P1854-0830A	1			
A3Q033	P1855-0689A	1			
A3Q037	1854-1028	1	TRANSISTOR NPN SI TO-92 PD=625MW		
A3Q038	1853-0569	1	TRANSISTOR PNP SI TO-92 PD=310MW		
A3Q039	P1855-0081A	1			
A3Q041	1854-1140	1	TRANSISTOR NPN SI TO-92 PD=350MW		
A3Q042	1854-1140	1	TRANSISTOR NPN SI TO-92 PD=350MW		
A3Q043	1853-0640	1	TRANSISTOR PNP SI TO-92 PD=625MW		
A3Q044	1853-0640	1	TRANSISTOR PNP SI TO-92 PD=625MW		
A3Q131	1853-0639	1	TRANSISTOR PNP SI TO-92 PD=625MW		
A3Q132	1854-1024	1	TRANSISTOR NPN SI PD=300MW FT=200MHZ		
A3Q161	1853-0639	1	TRANSISTOR PNP SI TO-92 PD=625MW		
A3Q162	P1854-0215C	1			
A3Q163	P1854-0345D	1			
A3Q164	P1854-0345D	1			
A3Q165	P1854-0345D	1			
A3Q166	1853-0639	1	TRANSISTOR PNP SI TO-92 PD=625MW		
A3R001	0757-0395	1	RESISTOR 56.2 ±1% .125W TF TC=0±100	05524	CMF-55-1
A3R002	0757-0419	1	RESISTOR 681 ±1% .125W TF TC=0±100	05524	CMF-55-1
A3R003	0757-0419	1	RESISTOR 681 ±1% .125W TF TC=0±100	05524	CMF-55-1
A3R004	0683-4705	1	RESISTOR 47 ±5% .25W CF TC=0-400	09126	CF 1/4
A3R006	0757-0421	1	RESISTOR 825 ±1% .125W TF TC=0±100	05524	CMF-55-1
A3R007	0683-4715	1	RESISTOR 470 ±5% .25W CF TC=0-400	09126	CF 1/4
A3R008	0683-4705	1	RESISTOR 47 ±5% .25W CF TC=0-400	09126	CF 1/4
A3R009	0698-3440	1	RESISTOR 196 ±1% .125W TF TC=0±100	05524	CMF-55-1
A3R011	0683-2205	1	RESISTOR 22 ±5% .25W CF TC=0-400	09126	CF-1/4
A3R012	0757-0438	1	RESISTOR 5.11K ±1% .125W TF TC=0±100	05524	CMF-55-1
A3R013	0757-0438	1	RESISTOR 5.11K ±1% .125W TF TC=0±100	05524	CMF-55-1
A3R014	0757-0418	1	RESISTOR 619 ±1% .125W TF TC=0±100	05524	CMF-55-1
A3R016	0757-0440	1	RESISTOR 7.5K ±1% .125W TF TC=0±100	05524	CMF-55-1
A3R017	0698-3152	1	RESISTOR 3.48K ±1% .125W TF TC=0±100	05524	CMF-55-1
A3R018	0757-0444	1	RESISTOR 12.1K ±1% .125W TF TC=0±100	05524	CMF-55-1
A3R019	0757-0278	1	RESISTOR 1.78K ±1% .125W TF TC=0±100	05524	CMF-55-1
A3R021	0683-4705	1	RESISTOR 47 ±5% .25W CF TC=0-400	09126	CF 1/4
A3R022	0683-1525	1	RESISTOR 1.5K ±5% .25W CF TC=0-400	09126	CF 1/4
A3R023	0683-6815	1	RESISTOR 680 ±5% .25W CF TC=0-400	09126	CF 1/4
A3R024	0683-1825	1	RESISTOR 1.8K ±5% .25W CF TC=0-400	09126	CF-1/4
A3R026	0757-0395	1	RESISTOR 56.2 ±1% .125W TF TC=0±100	05524	CMF-55-1
A3R027	0757-0317	1	RESISTOR 1.33K ±1% .125W TF TC=0±100	05524	CMF-55-1
A3R028	0757-0317	1	RESISTOR 1.33K ±1% .125W TF TC=0±100	05524	CMF-55-1
A3R029	0683-4705	1	RESISTOR 47 ±5% .25W CF TC=0-400	09126	CF 1/4
A3R031	0683-3325	1	RESISTOR 3.3K ±5% .25W CF TC=0-400	09126	CF 1/4
A3R032	0683-4715	1	RESISTOR 470 ±5% .25W CF TC=0-400	09126	CF 1/4
A3R033	0683-4705	1	RESISTOR 47 ±5% .25W CF TC=0-400	09126	CF 1/4
A3R034	0757-0438	1	RESISTOR 5.11K ±1% .125W TF TC=0±100	05524	CMF-55-1
A3R036	0757-0280	1	RESISTOR 1K ±1% .125W TF TC=0±100	05524	CMF-55-1
A3R037	0698-3153	1	RESISTOR 3.83K ±1% .125W TF TC=0±100	05524	CMF-55-1
A3R038	0698-0083	1	RESISTOR 1.96K ±1% .125W TF TC=0±100	05524	CMF-55-1
A3R039	0757-0401	1	RESISTOR 100 ±1% .125W TF TC=0±100	05524	CMF-55-1
A3R041	0683-6815	1	RESISTOR 680 ±5% .25W CF TC=0-400	09126	CF 1/4
A3R042	0698-3153	1	RESISTOR 3.83K ±1% .125W TF TC=0±100	05524	CMF-55-1
A3R043	0698-3153	1	RESISTOR 3.83K ±1% .125W TF TC=0±100	05524	CMF-55-1
A3R044	0698-0083	1	RESISTOR 1.96K ±1% .125W TF TC=0±100	05524	CMF-55-1
A3R046	0683-1015	1	RESISTOR 100 ±5% .25W CF TC=0-400	09126	CF-1/4
A3R047	0683-3325	1	RESISTOR 3.3K ±5% .25W CF TC=0-400	09126	CF 1/4
A3R048	0683-1015	1	RESISTOR 100 ±5% .25W CF TC=0-400	09126	CF-1/4
A3R049	0698-3443	1	RESISTOR 287 ±1% .125W TF TC=0±100	05524	CMF-55-1
A3R051	0757-0418	1	RESISTOR 619 ±1% .125W TF TC=0±100	05524	CMF-55-1
A3R052	0757-0444	1	RESISTOR 12.1K ±1% .125W TF TC=0±100	05524	CMF-55-1

**Replaceable Parts List for A3 Reference Assembly, Part Number 03325-66521 (4 of 6)**

Reference Designation	HP Part Number	Qty	Description	Mfr Code	Mfr Part Number
A3R053	0757-0280	1	RESISTOR 1K ±1% .125W TF TC=0±100	05524	CMF-55-1
A3R054	0757-0280	1	RESISTOR 1K ±1% .125W TF TC=0±100	05524	CMF-55-1
A3R056	0698-0083	1	RESISTOR 1.96K ±1% .125W TF TC=0±100	05524	CMF-55-1
A3R057	0683-5105	1	RESISTOR 51 ±5% .25W CF TC=0-400	09126	CF-1/4
A3R058	0683-4715	1	RESISTOR 470 ±5% .25W CF TC=0-400	09126	CF 1/4
A3R059	0683-1015	1	RESISTOR 100 ±5% .25W CF TC=0-400	09126	CF-1/4
A3R061	0683-1035	1	RESISTOR 10K ±5% .25W CF TC=0-400	09126	CF 1/4
A3R062	0683-1015	1	RESISTOR 100 ±5% .25W CF TC=0-400	09126	CF-1/4
A3R063	0757-0419	1	RESISTOR 681 ±1% .125W TF TC=0±100	05524	CMF-55-1
A3R064	0698-0084	1	RESISTOR 2.15K ±1% .125W TF TC=0±100	05524	CMF-55-1
A3R065	0757-0401	1	RESISTOR 100 ±1% .125W TF TC=0±100	05524	CMF-55-1
A3R066	0683-4705	1	RESISTOR 47 ±5% .25W CF TC=0-400	09126	CF 1/4
A3R067	0698-0083	1	RESISTOR 1.96K ±1% .125W TF TC=0±100	05524	CMF-55-1
A3R068	0698-3156	1	RESISTOR 14.7K ±1% .125W TF TC=0±100	05524	CMF-55-1
A3R069	0698-3156	1	RESISTOR 14.7K ±1% .125W TF TC=0±100	05524	CMF-55-1
A3R070	0757-0401	1	RESISTOR 100 ±1% .125W TF TC=0±100	05524	CMF-55-1
A3R071	0698-4207	1	RESISTOR 44.2K ±1% .125W TF TC=0±100	05524	CMF-55-1
A3R072	0683-1025	1	RESISTOR 1K ±5% .25W CF TC=0-400	09126	CF 1/4
A3R073	0683-4705	1	RESISTOR 47 ±5% .25W CF TC=0-400	09126	CF 1/4
A3R074	2100-3211	1	RESISTOR-TRMR 1K 10% TKF TOP-ADJ 1-TRN	03744	3386P-Y46-102
A3R075	0757-0442	1	RESISTOR 10K ±1% .125W TF TC=0±100	05524	CMF-55-1
A3R076	2100-3096	1	RESISTOR-TRMR 50K 10% TKF TOP-ADJ 17-TRN	04568	67WR
A3R077	0683-1065	1	RESISTOR 10M ±5% .25W CC TC=-900/+1100	01607	CB1065
A3R078	0757-0488	1	RESISTOR 909K ±1% .125W TF TC=0±100	05524	CMF-55-1
A3R079	0757-0401	1	RESISTOR 100 ±1% .125W TF TC=0±100	05524	CMF-55-1
A3R081	0683-1035	1	RESISTOR 10K ±5% .25W CF TC=0-400	09126	CF 1/4
A3R082	0683-5625	1	RESISTOR 5.6K ±5% .25W CF TC=0-400	09126	CF 1/4
A3R083	0683-2025	1	RESISTOR 2K ±5% .25W CF TC=0-400	09126	CF 1/4
A3R084	0757-0289	1	RESISTOR 13.3K ±1% .125W TF TC=0±100	05524	CMF-55-1
A3R086	0757-0289	1	RESISTOR 13.3K ±1% .125W TF TC=0±100	05524	CMF-55-1
A3R087	0683-4705	1	RESISTOR 47 ±5% .25W CF TC=0-400	09126	CF 1/4
A3R088	2100-3383	1	RESISTOR-TRMR 50 10% TKF TOP-ADJ 1-TRN	03744	3386P-Y46-500
A3R089	0683-4705	1	RESISTOR 47 ±5% .25W CF TC=0-400	09126	CF 1/4
A3R091	0698-0083	1	RESISTOR 1.96K ±1% .125W TF TC=0±100	05524	CMF-55-1
A3R092	0683-1025	1	RESISTOR 1K ±5% .25W CF TC=0-400	09126	CF 1/4
A3R093	0683-1015	1	RESISTOR 100 ±5% .25W CF TC=0-400	09126	CF-1/4
A3R094	0683-1015	1	RESISTOR 100 ±5% .25W CF TC=0-400	09126	CF-1/4
A3R096	0757-0421	1	RESISTOR 825 ±1% .125W TF TC=0±100	05524	CMF-55-1
A3R097	0683-2225	1	RESISTOR 2.2K ±5% .25W CF TC=0-400	09126	CF 1/4
A3R098	0683-2225	1	RESISTOR 2.2K ±5% .25W CF TC=0-400	09126	CF 1/4
A3R099	0698-3154	1	RESISTOR 4.22K ±1% .125W TF TC=0±100	05524	CMF-55-1
A3R101	0683-1025	1	RESISTOR 1K ±5% .25W CF TC=0-400	09126	CF 1/4
A3R102	0683-2225	1	RESISTOR 2.2K ±5% .25W CF TC=0-400	09126	CF 1/4
A3R103	0683-4705	1	RESISTOR 47 ±5% .25W CF TC=0-400	09126	CF 1/4
A3R104	0683-2235	1	RESISTOR 22K ±5% .25W CF TC=0-400	09126	CF 1/4
A3R106	0683-1035	1	RESISTOR 10K ±5% .25W CF TC=0-400	09126	CF 1/4
A3R107	2100-0567	1	RESISTOR-TRMR 2K 10% TKF TOP-ADJ 1-TRN	03744	3386P-Y46-202
A3R108	0698-0083	1	RESISTOR 1.96K ±1% .125W TF TC=0±100	05524	CMF-55-1
A3R109	0683-1015	1	RESISTOR 100 ±5% .25W CF TC=0-400	09126	CF-1/4
A3R111	0683-1015	1	RESISTOR 100 ±5% .25W CF TC=0-400	09126	CF-1/4
A3R112	0757-0421	1	RESISTOR 825 ±1% .125W TF TC=0±100	05524	CMF-55-1
A3R113	0757-0416	1	RESISTOR 511 ±1% .125W TF TC=0±100	05524	CMF-55-1
A3R114	0757-0416	1	RESISTOR 511 ±1% .125W TF TC=0±100	05524	CMF-55-1
A3R116	0683-4705	1	RESISTOR 47 ±5% .25W CF TC=0-400	09126	CF 1/4
A3R117	0757-0439	1	RESISTOR 6.81K ±1% .125W TF TC=0±100	05524	CMF-55-1
A3R118	0683-1025	1	RESISTOR 1K ±5% .25W CF TC=0-400	09126	CF 1/4
A3R119	0683-1835	1	RESISTOR 18K ±5% .25W CF TC=0-400	09126	CF 1/4
A3R121	0683-1025	1	RESISTOR 1K ±5% .25W CF TC=0-400	09126	CF 1/4
A3R122	0698-3162	1	RESISTOR 46.4K ±1% .125W TF TC=0±100	05524	CMF-55-1
A3R123	0757-0465	1	RESISTOR 100K ±1% .125W TF TC=0±100	05524	CMF-55-1
A3R124	0683-1525	1	RESISTOR 1.5K ±5% .25W CF TC=0-400	09126	CF 1/4
A3R126	0683-1025	1	RESISTOR 1K ±5% .25W CF TC=0-400	09126	CF 1/4
A3R130	0683-2225	1	RESISTOR 2.2K ±5% .25W CF TC=0-400	09126	CF 1/4
A3R132	0757-0398	1	RESISTOR 75 ±1% .125W TF TC=0±100	05524	CMF-55-1
A3R133	0698-3432	1	RESISTOR 26.1 ±1% .125W TF TC=0±100	05524	CMF-55-1
A3R134	0683-1035	1	RESISTOR 10K ±5% .25W CF TC=0-400	09126	CF 1/4
A3R135	0683-2205	1	RESISTOR 22 ±5% .25W CF TC=0-400	09126	CF-1/4

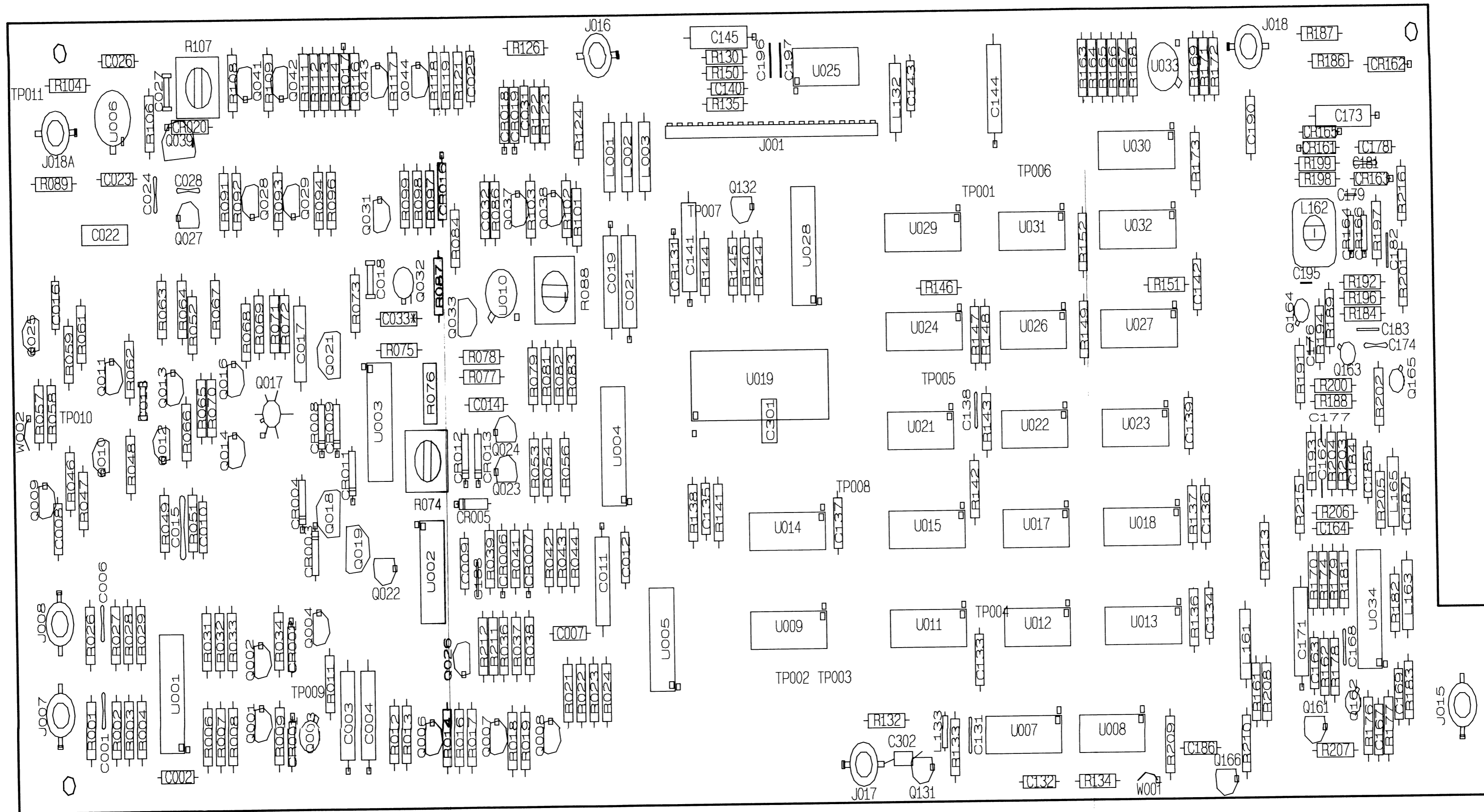
*Replaceable Parts List for A3 Reference Assembly, Part Number 03325-66521 (5 of 6)*

Reference Designation	HP Part Number	Qty	Description	Mfr Code	Mfr Part Number
A3R136	0683-1025	1	RESISTOR 1K ±5% .25W CF TC=0-400	09126	CF 1/4
A3R137	0683-1035	1	RESISTOR 10K ±5% .25W CF TC=0-400	09126	CF 1/4
A3R138	0698-4443	1	RESISTOR 4.53K ±1% .125W TF TC=0±100	05524	CMF-55-1
A3R140	0683-1035	1	RESISTOR 10K ±5% .25W CF TC=0-400	09126	CF 1/4
A3R141	0698-4422	1	RESISTOR 1.27K ±1% .125W TF TC=0±100	05524	CMF-55-1
A3R142	0683-1025	1	RESISTOR 1K ±5% .25W CF TC=0-400	09126	CF 1/4
A3R143	0683-1015	1	RESISTOR 100 ±5% .25W CF TC=0-400	09126	CF-1/4
A3R144	0683-3325	1	RESISTOR 3.3K ±5% .25W CF TC=0-400	09126	CF 1/4
A3R145	0683-4725	1	RESISTOR 4.7K ±5% .25W CF TC=0-400	09126	CF 1/4
A3R146	0683-1035	1	RESISTOR 10K ±5% .25W CF TC=0-400	09126	CF 1/4
A3R147	0683-1035	1	RESISTOR 10K ±5% .25W CF TC=0-400	09126	CF 1/4
A3R148	0683-7515	1	RESISTOR 750 ±5% .25W CF TC=0-400	09126	CF-1/4
A3R149	0683-1035	1	RESISTOR 10K ±5% .25W CF TC=0-400	09126	CF 1/4
A3R150	0683-3325	1	RESISTOR 3.3K ±5% .25W CF TC=0-400	09126	CF 1/4
A3R151	0683-1035	1	RESISTOR 10K ±5% .25W CF TC=0-400	09126	CF 1/4
A3R152	0683-1035	1	RESISTOR 10K ±5% .25W CF TC=0-400	09126	CF 1/4
A3R161	P0683-2415A	1			
A3R162	0699-2098	1	RESISTOR 192.5 ±0.5% .125W TF TC=0±50	05524	CMF-55-101
A3R163	0683-1045	1	RESISTOR 100K ±5% .25W CF TC=0-400	09126	CF-1/4
A3R164	0683-4735	1	RESISTOR 47K ±5% .25W CF TC=0-400	09126	CF-1/4
A3R165	0683-1045	1	RESISTOR 100K ±5% .25W CF TC=0-400	09126	CF-1/4
A3R166	0683-4735	1	RESISTOR 47K ±5% .25W CF TC=0-400	09126	CF-1/4
A3R167	0683-4725	1	RESISTOR 4.7K ±5% .25W CF TC=0-400	09126	CF 1/4
A3R168	0683-1035	1	RESISTOR 10K ±5% .25W CF TC=0-400	09126	CF 1/4
A3R169	0698-3518	1	RESISTOR 7.32K ±1% .125W TF TC=0±100	05524	CMF-55-1
A3R170	0683-2425	1	RESISTOR 2.4K ±5% .25W CF TC=0-400	09126	CF 1/4
A3R171	0757-1094	1	RESISTOR 1.47K ±1% .125W TF TC=0±100	05524	CMF-55-1
A3R172	0683-1025	1	RESISTOR 1K ±5% .25W CF TC=0-400	09126	CF 1/4
A3R173	0683-1045	1	RESISTOR 100K ±5% .25W CF TC=0-400	09126	CF-1/4
A3R174	0683-5125	1	RESISTOR 5.1K ±5% .25W CF TC=0-400	09126	CF-1/4W5.1K 5%
A3R176	0683-4705	1	RESISTOR 47 ±5% .25W CF TC=0-400	09126	CF 1/4
A3R177	0757-0417	1	RESISTOR 562 ±1% .125W TF TC=0±100	05524	CMF-55-1
A3R178	0699-2101	1	RESISTOR 350 ±0.1% .125W TF TC=0±25	05524	CMF-55-101
A3R179	0683-3915	1	RESISTOR 390 ±5% .25W CF TC=0-400	09126	CF-1/4
A3R181	0683-3915	1	RESISTOR 390 ±5% .25W CF TC=0-400	09126	CF-1/4
A3R182	0683-1525	1	RESISTOR 1.5K ±5% .25W CF TC=0-400	09126	CF 1/4
A3R183	0683-1025	1	RESISTOR 1K ±5% .25W CF TC=0-400	09126	CF 1/4
A3R184	0757-0280	1	RESISTOR 1K ±1% .125W TF TC=0±100	05524	CMF-55-1
A3R186	0757-0416	1	RESISTOR 511 ±1% .125W TF TC=0±100	05524	CMF-55-1
A3R187	0698-4123	1	RESISTOR 499 ±1% .125W TF TC=0±100	05524	CMF-55-1
A3R188	0757-0280	1	RESISTOR 1K ±1% .125W TF TC=0±100	05524	CMF-55-1
A3R189	0757-0401	1	RESISTOR 100 ±1% .125W TF TC=0±100	05524	CMF-55-1
A3R191	0757-0280	1	RESISTOR 1K ±1% .125W TF TC=0±100	05524	CMF-55-1
A3R192	0757-0442	1	RESISTOR 10K ±1% .125W TF TC=0±100	05524	CMF-55-1
A3R193	0698-3279	1	RESISTOR 4.99K ±1% .125W TF TC=0±100	05524	CMF-55-1
A3R194	0757-0401	1	RESISTOR 100 ±1% .125W TF TC=0±100	05524	CMF-55-1
A3R196	0757-0452	1	RESISTOR 27.4K ±1% .125W TF TC=0±100	05524	CMF-55-1
A3R197	0698-3440	1	RESISTOR 196 ±1% .125W TF TC=0±100	05524	CMF-55-1
A3R198	0698-4474	1	RESISTOR 8.45K ±1% .125W TF TC=0±100	05524	CMF-55-1
A3R199	0757-0439	1	RESISTOR 6.81K ±1% .125W TF TC=0±100	05524	CMF-55-1
A3R200	0757-0394	1	RESISTOR 51.1 ±1% .125W TF TC=0±100	05524	CMF-55-1
A3R201	0757-0280	1	RESISTOR 1K ±1% .125W TF TC=0±100	05524	CMF-55-1
A3R202	0757-0401	1	RESISTOR 100 ±1% .125W TF TC=0±100	05524	CMF-55-1
A3R203	0698-3279	1	RESISTOR 4.99K ±1% .125W TF TC=0±100	05524	CMF-55-1
A3R204	0757-0442	1	RESISTOR 10K ±1% .125W TF TC=0±100	05524	CMF-55-1
A3R205	0757-0283	1	RESISTOR 2K ±1% .125W TF TC=0±100	05524	CMF-55-1
A3R206	0757-0280	1	RESISTOR 1K ±1% .125W TF TC=0±100	05524	CMF-55-1
A3R207	0683-3315	1	RESISTOR 330 ±5% .25W CF TC=0-400	09126	CF 1/4
A3R208	0683-4325	1	RESISTOR 4.3K ±5% .25W CF TC=0-400	09126	CF 1/4
A3R209	0683-3915	1	RESISTOR 390 ±5% .25W CF TC=0-400	09126	CF-1/4
A3R210	0699-2098	1	RESISTOR 192.5 ±0.5% .125W TF TC=0±50	05524	CMF-55-101
A3R211	0683-4705	1	RESISTOR 47 ±5% .25W CF TC=0-400	09126	CF 1/4
A3R212	0757-0289	1	RESISTOR 13.3K ±1% .125W TF TC=0±100	05524	CMF-55-1
A3R213	0757-0401	1	RESISTOR 100 ±1% .125W TF TC=0±100	05524	CMF-55-1
A3R214	0757-0442	1	RESISTOR 10K ±1% .125W TF TC=0±100	05524	CMF-55-1
A3R215	0683-2205	1	RESISTOR 22 ±5% .25W CF TC=0-400	09126	CF-1/4
A3R216	0757-0279	1	RESISTOR 3.16K ±1% .125W TF TC=0±100	05524	CMF-55-1



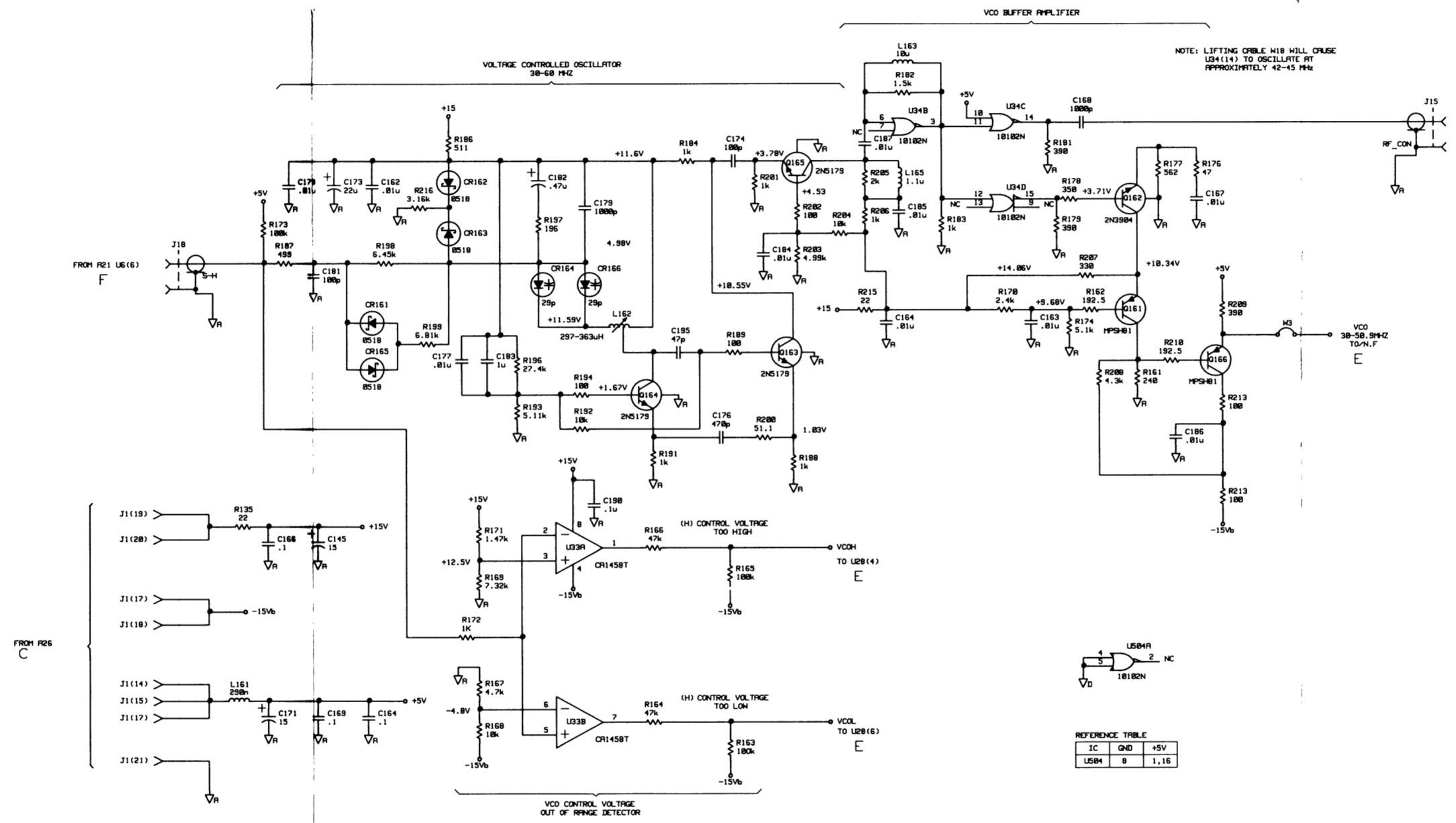
**Replaceable Parts List for A3 Reference Assembly, Part Number 03325-66521 (6 of 6)**

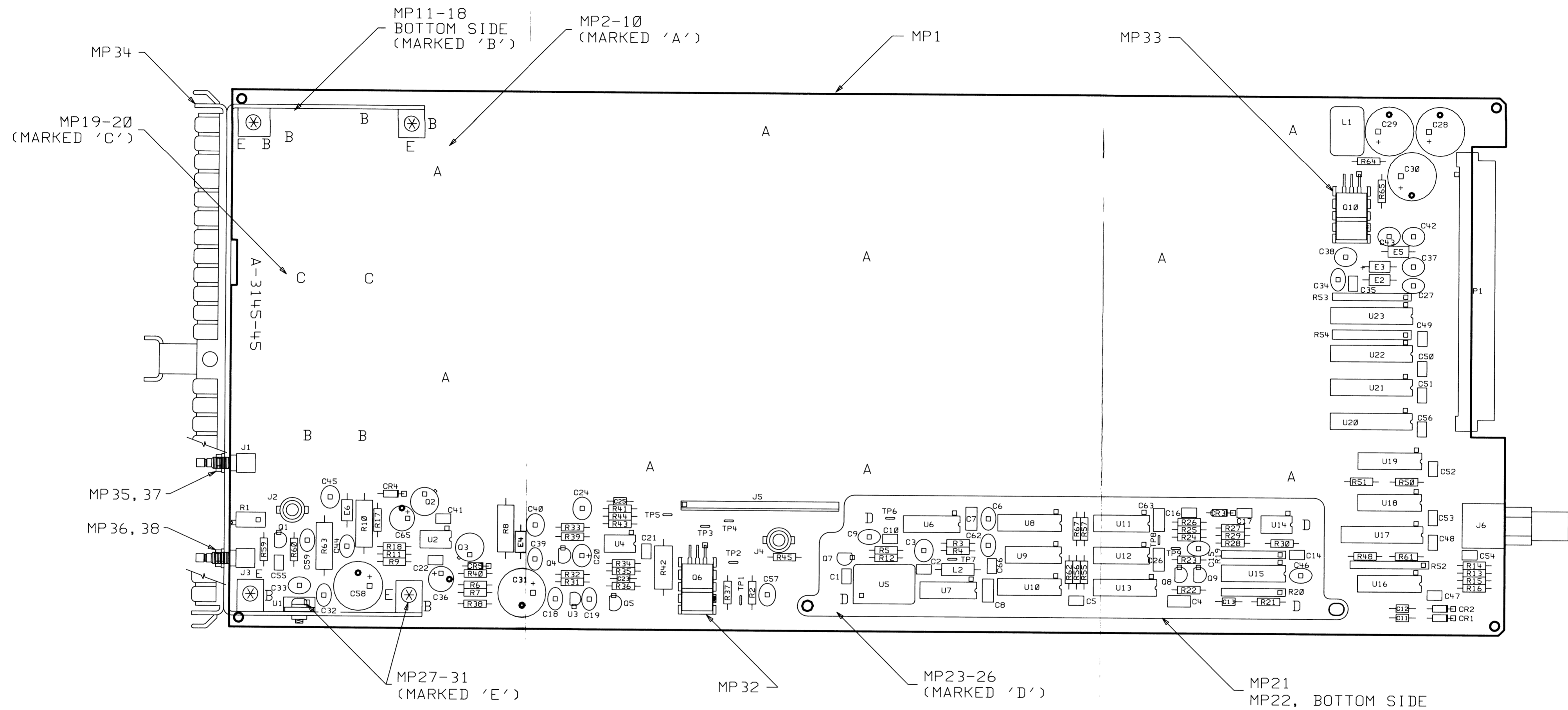
Reference Designation	HP Part Number	Qty	Description	Mfr Code	Mfr Part Number
A3TP001	1252-2897	1	CONNECTOR-SGL CONT PIN .044-IN-BSC-SZ	11627	7-22751-8
A3TP002	1252-2897	1	CONNECTOR-SGL CONT PIN .044-IN-BSC-SZ	11627	7-22751-8
A3TP003	1252-2897	1	CONNECTOR-SGL CONT PIN .044-IN-BSC-SZ	11627	7-22751-8
A3TP004	1252-2897	1	CONNECTOR-SGL CONT PIN .044-IN-BSC-SZ	11627	7-22751-8
A3TP005	1252-2897	1	CONNECTOR-SGL CONT PIN .044-IN-BSC-SZ	11627	7-22751-8
A3TP006	1252-2897	1	CONNECTOR-SGL CONT PIN .044-IN-BSC-SZ	11627	7-22751-8
A3TP007	1252-2897	1	CONNECTOR-SGL CONT PIN .044-IN-BSC-SZ	11627	7-22751-8
A3TP008	1252-2897	1	CONNECTOR-SGL CONT PIN .044-IN-BSC-SZ	11627	7-22751-8
A3TP009	1252-2897	1	CONNECTOR-SGL CONT PIN .044-IN-BSC-SZ	11627	7-22751-8
A3TP010	1252-2897	1	CONNECTOR-SGL CONT PIN .044-IN-BSC-SZ	11627	7-22751-8
A3TP011	1252-2897	1	CONNECTOR-SGL CONT PIN .044-IN-BSC-SZ	11627	7-22751-8
A3U001	1820-0817	1	IC FF ECL D-M/S DUAL	02037	MC10131P
A3U002	1821-0001	1	TRANSISTOR ARRAY 14-PIN PLSTC DIP		
A3U003	1810-0294	1	NETWORK-RESISTOR 16 PIN DIP; RES	02363	
A3U004	1820-1196	1	IC FF TTL/S D-TYPE POS-EDGE-TRIG COM	06347	HD74LS174P
A3U005	1820-1112	1	IC FF TTL/S D-TYPE POS-EDGE-TRIG	06347	HD74LS74AP
A3U006	P1826-0021E	1			
A3U007	1820-0629	1	IC FF TTL/S J-K NEG-EDGE-TRIG	03406	DM74S112N
A3U008	1820-0697	1	IC DRVR TTL/S NAND LINE DUAL 4-INP		
A3U009	1820-1279	1	IC CNTR TTL/S BCD UP/DOWN SYNCHRO		
A3U010	P1826-0043A	1			
A3U011	1820-1279	1	IC CNTR TTL/S BCD UP/DOWN SYNCHRO		
A3U012	1820-0681	1	IC GATE TTL/S NAND QUAD 2-INP	03406	DM74S00N
A3U013	1820-0629	1	IC FF TTL/S J-K NEG-EDGE-TRIG	03406	DM74S112N
A3U014	1820-1196	1	IC FF TTL/S D-TYPE POS-EDGE-TRIG COM	06347	HD74LS174P
A3U015	1820-1196	1	IC FF TTL/S D-TYPE POS-EDGE-TRIG COM	06347	HD74LS174P
A3U017	1820-1322	1	IC GATE TTL/S NOR QUAD 2-INP		
A3U018	1820-0629	1	IC FF TTL/S J-K NEG-EDGE-TRIG	03406	DM74S112N
A3U019	1SD6-0001	1			
A3U021	1820-0683	1	IC INV TTL/S HEX 1-INP	03406	DM74S04N
A3U022	1820-0681	1	IC GATE TTL/S NAND QUAD 2-INP	03406	DM74S00N
A3U023	1820-0681	1	IC GATE TTL/S NAND QUAD 2-INP	03406	DM74S00N
A3U024	1820-0629	1	IC FF TTL/S J-K NEG-EDGE-TRIG	03406	DM74S112N
A3U025	1820-0693	1	IC FF TTL/S D-TYPE POS-EDGE-TRIG	03406	DM74S74N
A3U026	1820-0693	1	IC FF TTL/S D-TYPE POS-EDGE-TRIG	03406	DM74S74N
A3U027	1820-0629	1	IC FF TTL/S J-K NEG-EDGE-TRIG	03406	DM74S112N
A3U028	1820-1641	1	IC DRVR TTL/S BUS HEX 1-INP		
A3U029	1820-0629	1	IC FF TTL/S J-K NEG-EDGE-TRIG	03406	DM74S112N
A3U030	1820-0629	1	IC FF TTL/S J-K NEG-EDGE-TRIG	03406	DM74S112N
A3U031	1820-1144	1	IC GATE TTL/S NOR QUAD 2-INP	06347	HD74LS02P
A3U032	1820-0629	1	IC FF TTL/S J-K NEG-EDGE-TRIG	03406	DM74S112N
A3U033	P1826-0111A	1			
A3U034	1820-0802	1	IC GATE ECL NOR QUAD 2-INP	02037	MC10102P
A3W001	1460-1336	1	WIREFORM CU BRT-TIN	04426	
A3W002	1460-1336	1	WIREFORM CU BRT-TIN	04426	



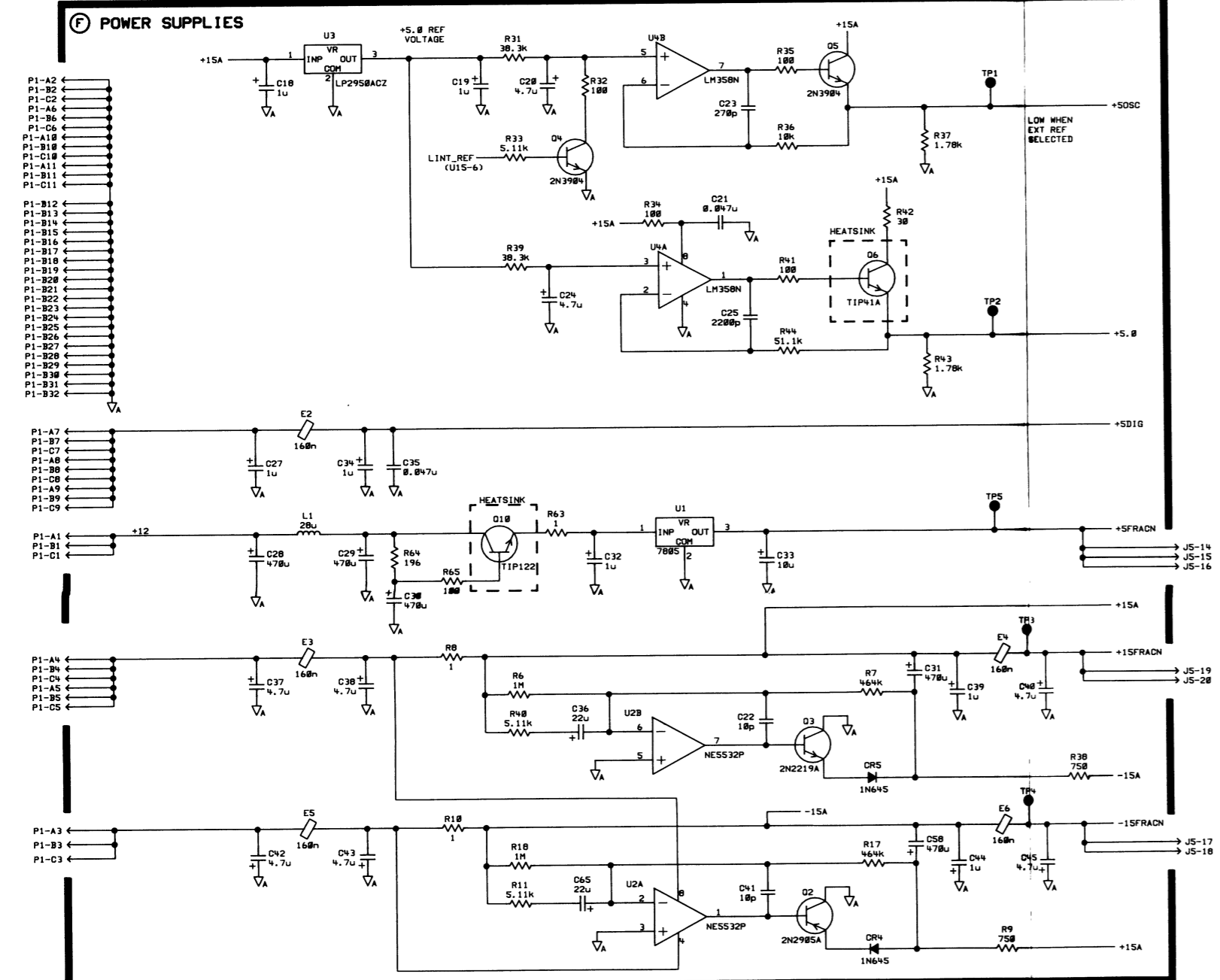
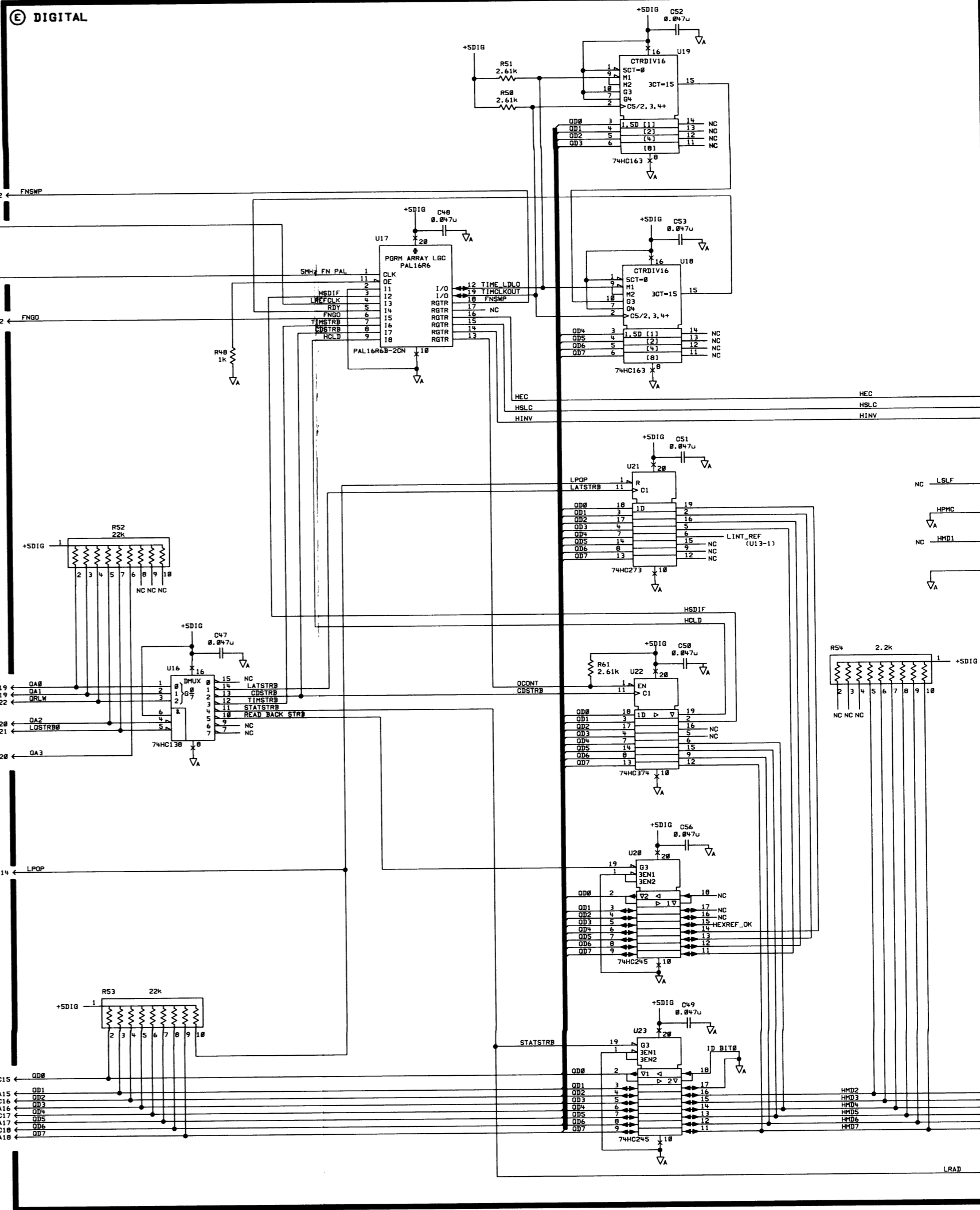
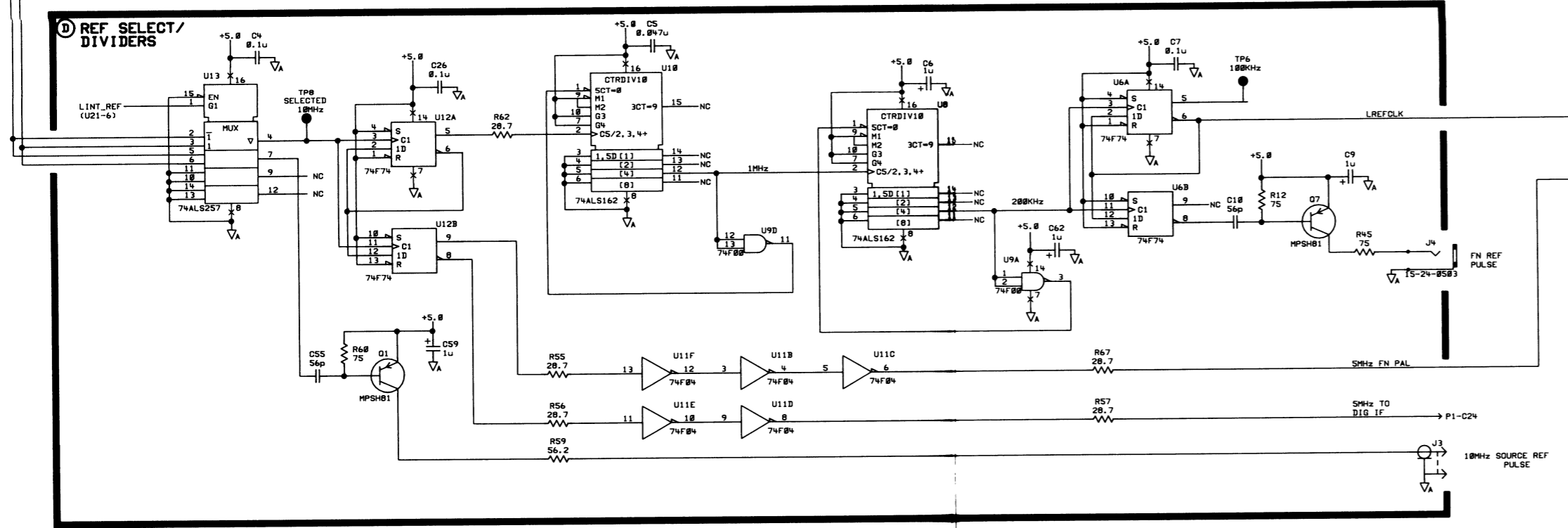
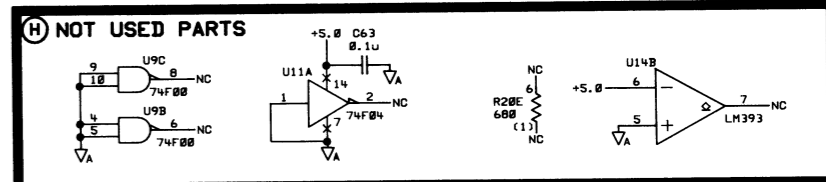
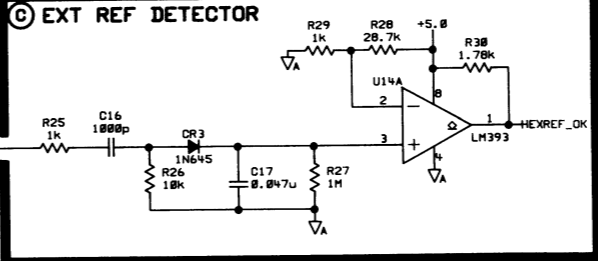
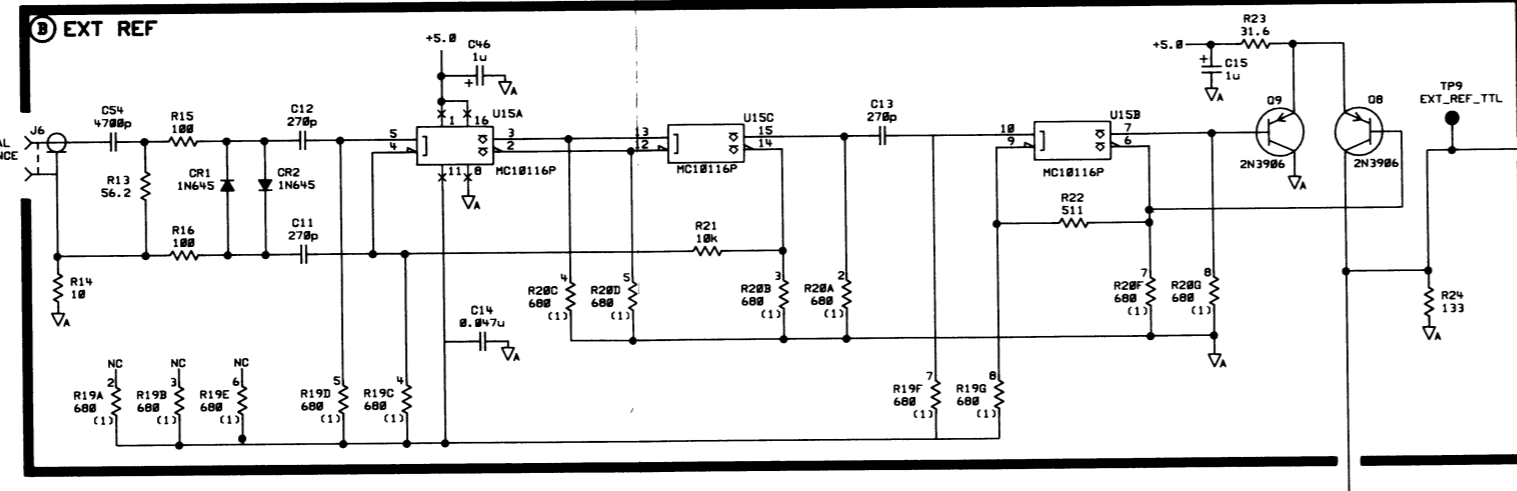
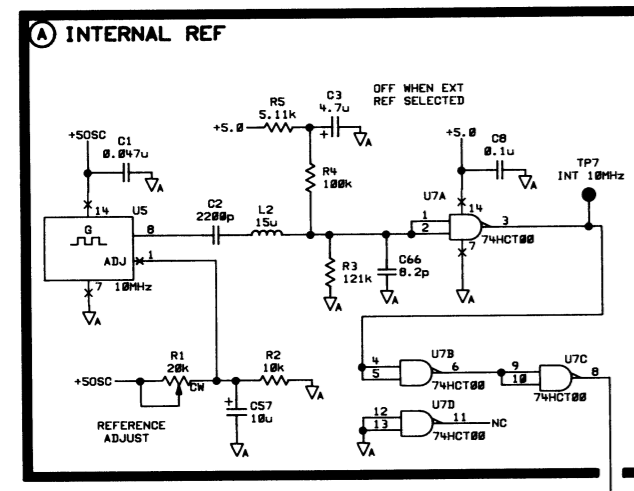








NOTES: UNLESS OTHERWISE SPECIFIED  
 1. USE RAW BOARD PART NUMBER 08711-20103



NOTES: UNLESS OTHERWISE SPECIFIED.  
 1. ALL RESISTOR VALUES ARE IN OHMS.  
 2. ALL CAPACITOR VALUES ARE IN MICROFARADS.  
 3. ALL INDUCTOR VALUES ARE IN MICROHENRIES.

# **Schematic Package for 08711 – 60104 A4 Source**

This section contains the replaceable parts list, component location diagram, and circuit schematic for the A4 source assembly, HP part number 08711-60104. To help with troubleshooting, there is also a list which shows the major test points and provides information on the expected measurement at each test point.

**Copyright ©1992 Hewlett–Packard Company  
Printed October 23, 1992  
Printed in USA**





**Replaceable Parts List for A4 Source Assembly, Part Number 08711-60104 Power Supply (1 of 14)**

Reference Designation	HP Part Number	Qty	Description	Mfr Code	Mfr Part Number
A4	08711-60104	1	BD AY-SOURCE	28480	08711-60104
	08711-65104	1	SURF MNT ASSY	28480	08711-65104
A4C1	0160-6104	1	CAP-FXD 2200pF ±5% 50 V CER C0G	09939	GRM42-6C0G222J050C
A4C2	0160-6734	1	CAP-FXD 0.047uF ±10% 50 V CER X7R	09939	GRM42-6X7R473K050C
A4C3	0160-6734	1	CAP-FXD 0.047uF ±10% 50 V CER X7R	09939	GRM42-6X7R473K050C
A4C4	0160-5964	1	CAP-FXD 180pF ±5% 50 V CER C0G	09939	GRM40-001C0G181J050C
A4C5	0160-5964	1	CAP-FXD 180pF ±5% 50 V CER C0G	09939	GRM40-001C0G181J050C
A4C6	0160-6727	1	CAP-FXD 0.033uF ±10% 50 V CER X7R	09939	GRM42-6X7R333K50V
A4C8	0160-5974	1	CAP-FXD 8.2pF ±6.1% 50 V CER C0G	09939	GRM40-001C0G8R2D050C
A4C9	0160-6734	1	CAP-FXD 0.047uF ±10% 50 V CER X7R	09939	GRM42-6X7R473K050C
A4C10	0160-6735	1	CAP-FXD 4700pF ±10% 50 V CER X7R	09939	GRM42-602X7R472K050C
A4C11	0180-3753	1	CAP-FXD 6.8uF ±20% 35 V TA	00039	NRD685M35R12
A4C12	0180-3753	1	CAP-FXD 6.8uF ±20% 35 V TA	00039	NRD685M35R12
A4C13	0160-6222	1	CAP-FXD 0.1uF ±10% 50 V CER X7R	09939	GRM42-2X7R104K050V
A4C14	0160-4834	1	CAP-FXD 0.047uF ±10% 100 V CER X7R	09939	RPA30X7R473K100V
A4C15	0160-6222	1	CAP-FXD 0.1uF ±10% 50 V CER X7R	09939	GRM42-2X7R104K050V
A4C16	0160-7332	1	CAP-FXD 6800pF ±10% 50 V CER X7R		
A4C17	0160-5952	1	CAP-FXD 330pF ±5% 50 V CER C0G	09939	GRM40-001C0G331J050C
A4C18	0160-5952	1	CAP-FXD 330pF ±5% 50 V CER C0G	09939	GRM40-001C0G331J050C
A4C19	0180-3753	1	CAP-FXD 6.8uF ±20% 35 V TA	00039	NRD685M35R12
A4C20	0160-6222	1	CAP-FXD 0.1uF ±10% 50 V CER X7R	09939	GRM42-2X7R104K050V
A4C21	0160-6734	1	CAP-FXD 0.047uF ±10% 50 V CER X7R	09939	GRM42-6X7R473K050C
A4C22	0180-3753	1	CAP-FXD 6.8uF ±20% 35 V TA	00039	NRD685M35R12
A4C23	0160-6222	1	CAP-FXD 0.1uF ±10% 50 V CER X7R	09939	GRM42-2X7R104K050V
A4C24	0180-3753	1	CAP-FXD 6.8uF ±20% 35 V TA	00039	NRD685M35R12
A4C25	0180-3467	1	CAP-FXD 22uF ±20% 63 V AL-ELCTLT	10393	CEUSM1J220
A4C26	0160-6222	1	CAP-FXD 0.1uF ±10% 50 V CER X7R	09939	GRM42-2X7R104K050V
A4C27	0160-5952	1	CAP-FXD 330pF ±5% 50 V CER C0G	09939	GRM40-001C0G331J050C
A4C28	0160-5952	1	CAP-FXD 330pF ±5% 50 V CER C0G	09939	GRM40-001C0G331J050C
A4C29	0160-5952	1	CAP-FXD 330pF ±5% 50 V CER C0G	09939	GRM40-001C0G331J050C
A4C30	0160-5952	1	CAP-FXD 330pF ±5% 50 V CER C0G	09939	GRM40-001C0G331J050C
A4C32	0160-6734	1	CAP-FXD 0.047uF ±10% 50 V CER X7R	09939	GRM42-6X7R473K050C
A4C33	0160-6734	1	CAP-FXD 0.047uF ±10% 50 V CER X7R	09939	GRM42-6X7R473K050C
A4C34	0160-6734	1	CAP-FXD 0.047uF ±10% 50 V CER X7R	09939	GRM42-6X7R473K050C
A4C35	0160-6734	1	CAP-FXD 0.047uF ±10% 50 V CER X7R	09939	GRM42-6X7R473K050C
A4C36	0160-6222	1	CAP-FXD 0.1uF ±10% 50 V CER X7R	09939	GRM42-2X7R104K050V
A4C37	0160-7332	1	CAP-FXD 6800pF ±10% 50 V CER X7R		
A4C38	0160-7332	1	CAP-FXD 6800pF ±10% 50 V CER X7R		
A4C39	0160-6735	1	CAP-FXD 4700pF ±10% 50 V CER X7R	09939	GRM42-602X7R472K050C
A4C40	0160-5880	1	CAP-FXD 2200pF ±1% 50 V CER C0G		
A4C41	0160-5880	1	CAP-FXD 2200pF ±1% 50 V CER C0G		
A4C42	0160-5880	1	CAP-FXD 2200pF ±1% 50 V CER C0G		
A4C43	0160-5880	1	CAP-FXD 2200pF ±1% 50 V CER C0G		
A4C44	0160-5880	1	CAP-FXD 2200pF ±1% 50 V CER C0G		
A4C45	0160-5880	1	CAP-FXD 2200pF ±1% 50 V CER C0G		
A4C46	0160-5880	1	CAP-FXD 2200pF ±1% 50 V CER C0G		
A4C47	0160-5880	1	CAP-FXD 2200pF ±1% 50 V CER C0G		
A4C48	0160-7208	1	CAP-FXD 0.015uF ±10% 50 V CER X7R	09939	GRM42-6X7R153K50V
A4C49	0160-5952	1	CAP-FXD 330pF ±5% 50 V CER C0G	09939	GRM40-001C0G331J050C
A4C50	0160-6734	1	CAP-FXD 0.047uF ±10% 50 V CER X7R	09939	GRM42-6X7R473K050C
A4C52	0160-5975	1	CAP-FXD 10pF ±5% 50 V CER C0G	09939	GRM40-001C0G100D050C
A4C53	0180-3749	1	CAP-FXD 0.22uF ±20% 35 V TA	00039	NRA224M35R8
A4C55	0160-5952	1	CAP-FXD 330pF ±5% 50 V CER C0G	09939	GRM40-001C0G331J050C
A4C56	0160-5952	1	CAP-FXD 330pF ±5% 50 V CER C0G	09939	GRM40-001C0G331J050C
A4C57	0160-5952	1	CAP-FXD 330pF ±5% 50 V CER C0G	09939	GRM40-001C0G331J050C
A4C58	0160-5975	1	CAP-FXD 10pF ±5% 50 V CER C0G	09939	GRM40-001C0G100D050C
A4C59	0160-5979	1	CAP-FXD 1.5pF ±33.33% 50 V CER C0G	09939	GRM40-001C0G1R5D050C
A4C60	0160-5975	1	CAP-FXD 10pF ±5% 50 V CER C0G	09939	GRM40-001C0G100D050C
A4C61	0160-5952	1	CAP-FXD 330pF ±5% 50 V CER C0G	09939	GRM40-001C0G331J050C
A4C62	0160-6734	1	CAP-FXD 0.047uF ±10% 50 V CER X7R	09939	GRM42-6X7R473K050C
A4C63	0160-6734	1	CAP-FXD 0.047uF ±10% 50 V CER X7R	09939	GRM42-6X7R473K050C
A4C64	0160-5952	1	CAP-FXD 330pF ±5% 50 V CER C0G	09939	GRM40-001C0G331J050C
A4C65	0160-5952	1	CAP-FXD 330pF ±5% 50 V CER C0G	09939	GRM40-001C0G331J050C
A4C66	0160-5952	1	CAP-FXD 330pF ±5% 50 V CER C0G	09939	GRM40-001C0G331J050C
A4C67	0160-5952	1	CAP-FXD 330pF ±5% 50 V CER C0G	09939	GRM40-001C0G331J050C
A4C68	0160-6104	1	CAP-FXD 2200pF ±5% 50 V CER C0G	09939	GRM42-6C0G222J050C
A4C69	0160-6734	1	CAP-FXD 0.047uF ±10% 50 V CER X7R	09939	GRM42-6X7R473K050C

**Replaceable Parts List for A4 Source Assembly, Part Number 08711-60104 Power Supply (2 of 14)**

Reference Designation	HP Part Number	Qty	Description	Mfr Code	Mfr Part Number
A4C70	0160-6734	1	CAP-FXD 0.047uF ±10% 50 V CER X7R	09939	GRM42-6X7R473K050C
A4C71	0180-3753	1	CAP-FXD 6.8uF ±20% 35 V TA	00039	NRD685M35R12
A4C72	0160-6222	1	CAP-FXD 0.1uF ±10% 50 V CER X7R	09939	GRM42-2X7R104K050V
A4C74	0160-6734	1	CAP-FXD 0.047uF ±10% 50 V CER X7R	09939	GRM42-6X7R473K050C
A4C76	0160-6734	1	CAP-FXD 0.047uF ±10% 50 V CER X7R	09939	GRM42-6X7R473K050C
A4C77	0160-6734	1	CAP-FXD 0.047uF ±10% 50 V CER X7R	09939	GRM42-6X7R473K050C
A4C78	0160-6734	1	CAP-FXD 0.047uF ±10% 50 V CER X7R	09939	GRM42-6X7R473K050C
A4C79	0160-6734	1	CAP-FXD 0.047uF ±10% 50 V CER X7R	09939	GRM42-6X7R473K050C
A4C80	0160-6734	1	CAP-FXD 0.047uF ±10% 50 V CER X7R	09939	GRM42-6X7R473K050C
A4C81	0160-6222	1	CAP-FXD 0.1uF ±10% 50 V CER X7R	09939	GRM42-2X7R104K050V
A4C82	0160-7332	1	CAP-FXD 6800pF ±10% 50 V CER X7R		
A4C83	0160-7332	1	CAP-FXD 6800pF ±10% 50 V CER X7R		
A4C84	0160-5974	1	CAP-FXD 8.2pF ±6.1% 50 V CER C0G	09939	GRM40-001C0G8R2D050C
A4C85	0160-6727	1	CAP-FXD 0.033uF ±10% 50 V CER X7R	09939	GRM42-6X7R333K50V
A4C86	0160-7333	1	CAP-FXD 0.068uF ±10% 50 V CER X7R		
A4C87	0180-3753	1	CAP-FXD 6.8uF ±20% 35 V TA	00039	NRD685M35R12
A4C88	0160-6734	1	CAP-FXD 0.047uF ±10% 50 V CER X7R	09939	GRM42-6X7R473K050C
A4C89	0160-5952	1	CAP-FXD 330pF ±5% 50 V CER C0G	09939	GRM40-001C0G331J050C
A4C90	0160-5952	1	CAP-FXD 330pF ±5% 50 V CER C0G	09939	GRM40-001C0G331J050C
A4C91	0160-5975	1	CAP-FXD 10pF ±5% 50 V CER C0G	09939	GRM40-001C0G100D050C
A4C92	0160-5979	1	CAP-FXD 1.5pF ±33.33% 50 V CER C0G	09939	GRM40-001C0G1R5D050C
A4C93	0160-5975	1	CAP-FXD 10pF ±5% 50 V CER C0G	09939	GRM40-001C0G100D050C
A4C94	0160-5952	1	CAP-FXD 330pF ±5% 50 V CER C0G	09939	GRM40-001C0G331J050C
A4C95	0160-5952	1	CAP-FXD 330pF ±5% 50 V CER C0G	09939	GRM40-001C0G331J050C
A4C96	0160-5952	1	CAP-FXD 330pF ±5% 50 V CER C0G	09939	GRM40-001C0G331J050C
A4C97	0160-5952	1	CAP-FXD 330pF ±5% 50 V CER C0G	09939	GRM40-001C0G331J050C
A4C98	0160-5952	1	CAP-FXD 330pF ±5% 50 V CER C0G	09939	GRM40-001C0G331J050C
A4C99	0160-6222	1	CAP-FXD 0.1uF ±10% 50 V CER X7R	09939	GRM42-2X7R104K050V
A4C100	0160-5952	1	CAP-FXD 330pF ±5% 50 V CER C0G	09939	GRM40-001C0G331J050C
A4C101	0160-5952	1	CAP-FXD 330pF ±5% 50 V CER C0G	09939	GRM40-001C0G331J050C
A4C102	0160-6735	1	CAP-FXD 4700pF ±10% 50 V CER X7R	09939	GRM42-602X7R472K050C
A4C103	0160-5952	1	CAP-FXD 330pF ±5% 50 V CER C0G	09939	GRM40-001C0G331J050C
A4C104	0160-5952	1	CAP-FXD 330pF ±5% 50 V CER C0G	09939	GRM40-001C0G331J050C
A4C105	0160-6104	1	CAP-FXD 2200pF ±5% 50 V CER C0G	09939	GRM42-6C0G222J050C
A4C106	0160-6734	1	CAP-FXD 0.047uF ±10% 50 V CER X7R	09939	GRM42-6X7R473K050C
A4C107	0160-6734	1	CAP-FXD 0.047uF ±10% 50 V CER X7R	09939	GRM42-6X7R473K050C
A4C108	0160-6222	1	CAP-FXD 0.1uF ±10% 50 V CER X7R	09939	GRM42-2X7R104K050V
A4C109	0160-5952	1	CAP-FXD 330pF ±5% 50 V CER C0G	09939	GRM40-001C0G331J050C
A4C110	0160-5943	1	CAP-FXD 2.7pF ±18.52% 50 V CER C0G	09939	GRM40-001C0G2R7D050C
A4C111	0160-6222	1	CAP-FXD 0.1uF ±10% 50 V CER X7R	09939	GRM42-2X7R104K050V
A4C112	0160-5978	1	CAP-FXD 2.2pF ±22.73% 50 V CER C0G	09939	GRM40-001C0G2R2D050C
A4C113	0160-5979	1	CAP-FXD 1.5pF ±33.33% 50 V CER C0G	09939	GRM40-001C0G1R5D050C
A4C114	0180-3753	1	CAP-FXD 6.8uF ±20% 35 V TA	00039	NRD685M35R12
A4C115	0180-3753	1	CAP-FXD 6.8uF ±20% 35 V TA	00039	NRD685M35R12
A4C116	0160-5952	1	CAP-FXD 330pF ±5% 50 V CER C0G	09939	GRM40-001C0G331J050C
A4C117	0160-6734	1	CAP-FXD 0.047uF ±10% 50 V CER X7R	09939	GRM42-6X7R473K050C
A4C118	0160-6734	1	CAP-FXD 0.047uF ±10% 50 V CER X7R	09939	GRM42-6X7R473K050C
A4C119	0160-6734	1	CAP-FXD 0.047uF ±10% 50 V CER X7R	09939	GRM42-6X7R473K050C
A4C120	0160-6734	1	CAP-FXD 0.047uF ±10% 50 V CER X7R	09939	GRM42-6X7R473K050C
A4C121	0160-6734	1	CAP-FXD 0.047uF ±10% 50 V CER X7R	09939	GRM42-6X7R473K050C
A4C122	0160-6734	1	CAP-FXD 0.047uF ±10% 50 V CER X7R	09939	GRM42-6X7R473K050C
A4C123	0160-6734	1	CAP-FXD 0.047uF ±10% 50 V CER X7R	09939	GRM42-6X7R473K050C
A4C124	0160-6222	1	CAP-FXD 0.1uF ±10% 50 V CER X7R	09939	GRM42-2X7R104K050V
A4C125	0160-6734	1	CAP-FXD 0.047uF ±10% 50 V CER X7R	09939	GRM42-6X7R473K050C
A4C126	0160-6222	1	CAP-FXD 0.1uF ±10% 50 V CER X7R	09939	GRM42-2X7R104K050V
A4C127	0160-6222	1	CAP-FXD 0.1uF ±10% 50 V CER X7R	09939	GRM42-2X7R104K050V
A4C128	0160-6736	1	CAP-FXD 0.01uF ±10% 50 V CER X7R	09939	GRM42-602X7R103K050C
A4C129	0160-6736	1	CAP-FXD 0.01uF ±10% 50 V CER X7R	09939	GRM42-602X7R103K050C
A4C131	0160-6736	1	CAP-FXD 0.01uF ±10% 50 V CER X7R	09939	GRM42-602X7R103K050C
A4C132	0160-6736	1	CAP-FXD 0.01uF ±10% 50 V CER X7R	09939	GRM42-602X7R103K050C
A4C133	0180-3751	1	CAP-FXD 1uF ±20% 35 V TA	00039	NRS105M35R8
A4C134	0180-3751	1	CAP-FXD 1uF ±20% 35 V TA	00039	NRS105M35R8
A4C135	0180-6102	1	CAP-FXD 1500pF ±5% 50 V CER C0G	09939	GRM42-6C0G152J050C
A4C136	0160-6222	1	CAP-FXD 0.1uF ±10% 50 V CER X7R	09939	GRM42-2X7R104K050V
A4C137	0160-6222	1	CAP-FXD 0.1uF ±10% 50 V CER X7R	09939	GRM42-2X7R104K050V
A4C138	0160-6222	1	CAP-FXD 0.1uF ±10% 50 V CER X7R	09939	GRM42-2X7R104K050V
A4C139	0180-3753	1	CAP-FXD 6.8uF ±20% 35 V TA	00039	NRD685M35R12

**Replaceable Parts List for A4 Source Assembly, Part Number 08711-60104 Power Supply (3 of 14)**

Reference Designation	HP Part Number	Qty	Description	Mfr Code	Mfr Part Number
A4C140	0180-3753	1	CAP-FXD 6.8uF ±20% 35 V TA	00039	NRD685M35R12
A4C141	0180-3753	1	CAP-FXD 6.8uF ±20% 35 V TA	00039	NRD685M35R12
A4C142	0180-3753	1	CAP-FXD 6.8uF ±20% 35 V TA	00039	NRD685M35R12
A4C143	0160-6734	1	CAP-FXD 0.047uF ±10% 50 V CER X7R	09939	GRM42-6X7R473K050C
A4C144	0180-3751	1	CAP-FXD 1uF ±20% 35 V TA	00039	NRS105M35R8
A4C145	0180-3751	1	CAP-FXD 1uF ±20% 35 V TA	00039	NRS105M35R8
A4C146	0180-3751	1	CAP-FXD 1uF ±20% 35 V TA	00039	NRS105M35R8
A4C147	0180-3753	1	CAP-FXD 6.8uF ±20% 35 V TA	00039	NRD685M35R12
A4C148	0180-3753	1	CAP-FXD 6.8uF ±20% 35 V TA	00039	NRD685M35R12
A4C149	0180-3751	1	CAP-FXD 1uF ±20% 35 V TA	00039	NRS105M35R8
A4C150	0180-3751	1	CAP-FXD 1uF ±20% 35 V TA	00039	NRS105M35R8
A4C151	0180-3753	1	CAP-FXD 6.8uF ±20% 35 V TA	00039	NRD685M35R12
A4C152	0180-3753	1	CAP-FXD 6.8uF ±20% 35 V TA	00039	NRD685M35R12
A4C153	0160-6102	1	CAP-FXD 1500pF ±5% 50 V CER C0G	09939	GRM42-6C0G152J050C
A4C154	0180-3464	1	CAP-FXD 2.2uF ±20% 100 V AL-ELCTLT	10393	CEUSM2A2R2
A4C155	0180-3464	1	CAP-FXD 2.2uF ±20% 100 V AL-ELCTLT	10393	CEUSM2A2R2
A4C156	0180-3464	1	CAP-FXD 2.2uF ±20% 100 V AL-ELCTLT	10393	CEUSM2A2R2
A4C157	0180-3464	1	CAP-FXD 2.2uF ±20% 100 V AL-ELCTLT	10393	CEUSM2A2R2
A4C158	0180-3467	1	CAP-FXD 22uF ±20% 63 V AL-ELCTLT	10393	CEUSM1J220
A4C159	0180-3467	1	CAP-FXD 22uF ±20% 63 V AL-ELCTLT	10393	CEUSM1J220
A4C160	0180-3467	1	CAP-FXD 22uF ±20% 63 V AL-ELCTLT	10393	CEUSM1J220
A4C161	0180-3752	1	CAP-FXD 3.3uF ±20% 35 V TA	00039	NRD335M35R12
A4C162	0160-5951	1	CAP-FXD 390pF ±5% 50 V CER C0G	09939	GRM40C0G391J050C
A4C163	0160-5951	1	CAP-FXD 390pF ±5% 50 V CER C0G	09939	GRM40C0G391J050C
A4C164	0160-6734	1	CAP-FXD 0.047uF ±10% 50 V CER X7R	09939	GRM42-6X7R473K050C
A4C165	0160-6734	1	CAP-FXD 0.047uF ±10% 50 V CER X7R	09939	GRM42-6X7R473K050C
A4C166	0160-6222	1	CAP-FXD 0.1uF ±10% 50 V CER X7R	09939	GRM42-2X7R104K050V
A4C167	0160-6734	1	CAP-FXD 0.047uF ±10% 50 V CER X7R	09939	GRM42-6X7R473K050C
A4C168	0160-5951	1	CAP-FXD 390pF ±5% 50 V CER C0G	09939	GRM40C0G391J050C
A4C169	0160-6734	1	CAP-FXD 0.047uF ±10% 50 V CER X7R	09939	GRM42-6X7R473K050C
A4C170	0160-6734	1	CAP-FXD 0.047uF ±10% 50 V CER X7R	09939	GRM42-6X7R473K050C
A4C171	0160-6734	1	CAP-FXD 0.047uF ±10% 50 V CER X7R	09939	GRM42-6X7R473K050C
A4C172	0160-6734	1	CAP-FXD 0.047uF ±10% 50 V CER X7R	09939	GRM42-6X7R473K050C
A4C173	0160-6734	1	CAP-FXD 0.047uF ±10% 50 V CER X7R	09939	GRM42-6X7R473K050C
A4C174	0160-6734	1	CAP-FXD 0.047uF ±10% 50 V CER X7R	09939	GRM42-6X7R473K050C
A4C175	0160-6734	1	CAP-FXD 0.047uF ±10% 50 V CER X7R	09939	GRM42-6X7R473K050C
A4C176	0160-5961	1	CAP-FXD 22pF ±5% 50 V CER C0G	09939	GRM40-001C0G220J050C
A4C177	0160-6734	1	CAP-FXD 0.047uF ±10% 50 V CER X7R	09939	GRM42-6X7R473K050C
A4C178	0160-6734	1	CAP-FXD 0.047uF ±10% 50 V CER X7R	09939	GRM42-6X7R473K050C
A4C179	0160-6734	1	CAP-FXD 0.047uF ±10% 50 V CER X7R	09939	GRM42-6X7R473K050C
A4C180	0160-5943	1	CAP-FXD 2.7pF ±18.52% 50 V CER C0G	09939	GRM40-001C0G2R7D050C
A4C181	0160-6736	1	CAP-FXD 0.01uF ±10% 50 V CER X7R	09939	GRM42-602X7R103K050C
A4C182	0160-6735	1	CAP-FXD 4700pF ±10% 50 V CER X7R	09939	GRM42-602X7R472K050C
A4C186	0160-6735	1	CAP-FXD 4700pF ±10% 50 V CER X7R	09939	GRM42-602X7R472K050C
A4C187	0160-6734	1	CAP-FXD 0.047uF ±10% 50 V CER X7R	09939	GRM42-6X7R473K050C
A4C188	0160-6734	1	CAP-FXD 0.047uF ±10% 50 V CER X7R	09939	GRM42-6X7R473K050C
A4C189	0160-6734	1	CAP-FXD 0.047uF ±10% 50 V CER X7R	09939	GRM42-6X7R473K050C
A4C192	0160-6734	1	CAP-FXD 0.047uF ±10% 50 V CER X7R	09939	GRM42-6X7R473K050C
A4C193	0160-5957	1	CAP-FXD 47pF ±5% 50 V CER C0G	09939	GRM40-001C0G470J050C
A4C194	0160-6734	1	CAP-FXD 0.047uF ±10% 50 V CER X7R	09939	GRM42-6X7R473K050C
A4C195	0160-6734	1	CAP-FXD 0.047uF ±10% 50 V CER X7R	09939	GRM42-6X7R473K050C
A4C196	0160-6734	1	CAP-FXD 0.047uF ±10% 50 V CER X7R	09939	GRM42-6X7R473K050C
A4C197	0160-6222	1	CAP-FXD 0.1uF ±10% 50 V CER X7R	09939	GRM42-2X7R104K050V
A4C198	0160-5952	1	CAP-FXD 330pF ±5% 50 V CER C0G	09939	GRM40-001C0G331J050C
A4C199	0160-5952	1	CAP-FXD 330pF ±5% 50 V CER C0G	09939	GRM40-001C0G331J050C
A4C200	0160-5952	1	CAP-FXD 330pF ±5% 50 V CER C0G	09939	GRM40-001C0G331J050C
A4C201	0160-5952	1	CAP-FXD 330pF ±5% 50 V CER C0G	09939	GRM40-001C0G331J050C
A4C202	0160-6222	1	CAP-FXD 0.1uF ±10% 50 V CER X7R	09939	GRM42-2X7R104K050V
A4C203	0160-6222	1	CAP-FXD 0.1uF ±10% 50 V CER X7R	09939	GRM42-2X7R104K050V
A4C500	0180-3754	1	CAP-FXD 10uF ±20% 25 V TA	00039	NRD106M25P12
A4C501	0180-3753	1	CAP-FXD 6.8uF ±20% 35 V TA	00039	NRD685M35R12
A4C502	0180-3753	1	CAP-FXD 6.8uF ±20% 35 V TA	00039	NRD685M35R12
A4C503	0180-3754	1	CAP-FXD 10uF ±20% 25 V TA	00039	NRD106M25P12
A4C504	0160-5952	1	CAP-FXD 330pF ±5% 50 V CER C0G	09939	GRM40-001C0G331J050C
A4C505	0160-5952	1	CAP-FXD 330pF ±5% 50 V CER C0G	09939	GRM40-001C0G331J050C
A4C506	0160-5952	1	CAP-FXD 330pF ±5% 50 V CER C0G	09939	GRM40-001C0G331J050C
A4C507	0160-5952	1	CAP-FXD 330pF ±5% 50 V CER C0G	09939	GRM40-001C0G331J050C

**Replaceable Parts List for A4 Source Assembly, Part Number 08711-60104 Power Supply (4 of 14)**

Reference Designation	HP Part Number	Qty	Description	Mfr Code	Mfr Part Number
A4C508	0160-6222	1	CAP-FXD 0.1uF ±10% 50 V CER X7R	09939	GRM42-2X7R104K050V
A4C509	0160-5952	1	CAP-FXD 330pF ±5% 50 V CER C0G	09939	GRM40-001C0G331J050C
A4C510	0160-6222	1	CAP-FXD 0.1uF ±10% 50 V CER X7R	09939	GRM42-2X7R104K050V
A4C511	0160-5962	1	CAP-FXD 15pF ±5% 50 V CER C0G	09939	GRM40-001C0G150J050C
A4C512	0160-5978	1	CAP-FXD 2.2pF ±22.73% 50 V CER C0G	09939	GRM40-001C0G2R2D050C
A4C513	0160-5979	1	CAP-FXD 1.5pF ±33.33% 50 V CER C0G	09939	GRM40-001C0G1R5D050C
A4C514	0160-7332	1	CAP-FXD 6800pF ±10% 50 V CER X7R		
A4C515	0160-7332	1	CAP-FXD 6800pF ±10% 50 V CER X7R		
A4C516	0160-5953	1	CAP-FXD 270pF ±5% 50 V CER C0G	09939	GRM40-001C0G271J050C
A4C517	0160-6734	1	CAP-FXD 0.047uF ±10% 50 V CER X7R	09939	GRM42-6X7R473K050C
A4C518	0180-3753	1	CAP-FXD 6.8uF ±20% 35 V TA	00039	NRD685M35R12
A4C519	0180-3753	1	CAP-FXD 6.8uF ±20% 35 V TA	00039	NRD685M35R12
A4C520	0160-6734	1	CAP-FXD 0.047uF ±10% 50 V CER X7R	09939	GRM42-6X7R473K050C
A4C521	0160-6734	1	CAP-FXD 0.047uF ±10% 50 V CER X7R	09939	GRM42-6X7R473K050C
A4C522	0160-6734	1	CAP-FXD 0.047uF ±10% 50 V CER X7R	09939	GRM42-6X7R473K050C
A4C523	0160-5974	1	CAP-FXD 8.2pF ±6.1% 50 V CER C0G	09939	GRM40-001C0G8R2D050C
A4C524	0160-5962	1	CAP-FXD 15pF ±5% 50 V CER C0G	09939	GRM40-001C0G150J050C
A4C526	0160-5952	1	CAP-FXD 330pF ±5% 50 V CER C0G	09939	GRM40-001C0G331J050C
A4C527	0160-6736	1	CAP-FXD 0.01uF ±10% 50 V CER X7R	09939	GRM42-602X7R103K050C
A4C528	0180-3753	1	CAP-FXD 6.8uF ±20% 35 V TA	00039	NRD685M35R12
A4C529	0180-3753	1	CAP-FXD 6.8uF ±20% 35 V TA	00039	NRD685M35R12
A4C530	0180-3753	1	CAP-FXD 6.8uF ±20% 35 V TA	00039	NRD685M35R12
A4C531	0160-6734	1	CAP-FXD 0.047uF ±10% 50 V CER X7R	09939	GRM42-6X7R473K050C
A4C532	0160-6734	1	CAP-FXD 0.047uF ±10% 50 V CER X7R	09939	GRM42-6X7R473K050C
A4C533	0160-6734	1	CAP-FXD 0.047uF ±10% 50 V CER X7R	09939	GRM42-6X7R473K050C
A4C534	0160-6734	1	CAP-FXD 0.047uF ±10% 50 V CER X7R	09939	GRM42-6X7R473K050C
A4C535	0160-5952	1	CAP-FXD 330pF ±5% 50 V CER C0G	09939	GRM40-001C0G331J050C
A4C536	0160-6734	1	CAP-FXD 0.047uF ±10% 50 V CER X7R	09939	GRM42-6X7R473K050C
A4C537	0160-6734	1	CAP-FXD 0.047uF ±10% 50 V CER X7R	09939	GRM42-6X7R473K050C
A4C538	0160-6734	1	CAP-FXD 0.047uF ±10% 50 V CER X7R	09939	GRM42-6X7R473K050C
A4C539	0160-6734	1	CAP-FXD 0.047uF ±10% 50 V CER X7R	09939	GRM42-6X7R473K050C
A4C540	0160-5952	1	CAP-FXD 330pF ±5% 50 V CER C0G	09939	GRM40-001C0G331J050C
A4C541	0160-6736	1	CAP-FXD 0.01uF ±10% 50 V CER X7R	09939	GRM42-602X7R103K050C
A4C542	0180-3753	1	CAP-FXD 6.8uF ±20% 35 V TA	00039	NRD685M35R12
A4C543	0180-3753	1	CAP-FXD 6.8uF ±20% 35 V TA	00039	NRD685M35R12
A4C544	0180-3753	1	CAP-FXD 6.8uF ±20% 35 V TA	00039	NRD685M35R12
A4C545	0160-5952	1	CAP-FXD 330pF ±5% 50 V CER C0G	09939	GRM40-001C0G331J050C
A4C546	0160-6222	1	CAP-FXD 0.1uF ±10% 50 V CER X7R	09939	GRM42-2X7R104K050V
A4C547	0160-6222	1	CAP-FXD 0.1uF ±10% 50 V CER X7R	09939	GRM42-2X7R104K050V
A4C548	0160-6222	1	CAP-FXD 0.1uF ±10% 50 V CER X7R	09939	GRM42-2X7R104K050V
A4C549	0160-6222	1	CAP-FXD 0.1uF ±10% 50 V CER X7R	09939	GRM42-2X7R104K050V
A4C550	0160-5952	1	CAP-FXD 330pF ±5% 50 V CER C0G	09939	GRM40-001C0G331J050C
A4C551	0180-3753	1	CAP-FXD 6.8uF ±20% 35 V TA	00039	NRD685M35R12
A4C552	0180-3753	1	CAP-FXD 6.8uF ±20% 35 V TA	00039	NRD685M35R12
A4C553	0160-5952	1	CAP-FXD 330pF ±5% 50 V CER C0G	09939	GRM40-001C0G331J050C
A4C554	0160-6222	1	CAP-FXD 0.1uF ±10% 50 V CER X7R	09939	GRM42-2X7R104K050V
A4C555	0160-6222	1	CAP-FXD 0.1uF ±10% 50 V CER X7R	09939	GRM42-2X7R104K050V
A4C556	0160-6222	1	CAP-FXD 0.1uF ±10% 50 V CER X7R	09939	GRM42-2X7R104K050V
A4C557	0160-6222	1	CAP-FXD 0.1uF ±10% 50 V CER X7R	09939	GRM42-2X7R104K050V
A4C558	0160-6670	1	CAP-FXD 3300pF ±5% 50 V CER C0G	09939	GRM42-2C0G332J050C
A4C559	0160-6105	1	CAP-FXD 2700pF ±5% 50 V CER C0G	09939	GRM42-6C0G272J050C
A4C561	0160-6104	1	CAP-FXD 2200pF ±5% 50 V CER C0G	09939	GRM42-6C0G222J050C
A4C562	0160-6734	1	CAP-FXD 0.047uF ±10% 50 V CER X7R	09939	GRM42-6X7R473K050C
A4C563	0160-6734	1	CAP-FXD 0.047uF ±10% 50 V CER X7R	09939	GRM42-6X7R473K050C
A4C564	0160-6734	1	CAP-FXD 0.047uF ±10% 50 V CER X7R	09939	GRM42-6X7R473K050C
A4C565	0160-5952	1	CAP-FXD 330pF ±5% 50 V CER C0G	09939	GRM40-001C0G331J050C
A4C566	0160-5952	1	CAP-FXD 330pF ±5% 50 V CER C0G	09939	GRM40-001C0G331J050C
A4C567	0160-5952	1	CAP-FXD 330pF ±5% 50 V CER C0G	09939	GRM40-001C0G331J050C
A4C568	0160-6727	1	CAP-FXD 0.033uF ±10% 50 V CER X7R	09939	GRM42-6X7R333K050V
A4C569	0160-6736	1	CAP-FXD 0.01uF ±10% 50 V CER X7R	09939	GRM42-602X7R103K050C
A4C570	0160-5880	1	CAP-FXD 2200pF ±1% 50 V CER C0G		
A4C571	0160-5880	1	CAP-FXD 2200pF ±1% 50 V CER C0G		
A4C572	0160-5880	1	CAP-FXD 2200pF ±1% 50 V CER C0G		
A4C573	0160-5880	1	CAP-FXD 2200pF ±1% 50 V CER C0G		
A4C574	0160-6734	1	CAP-FXD 0.047uF ±10% 50 V CER X7R	09939	GRM42-6X7R473K050C
A4C575	0160-6734	1	CAP-FXD 0.047uF ±10% 50 V CER X7R	09939	GRM42-6X7R473K050C
A4C576	0160-5977	1	CAP-FXD 1.2pF ±21% 50 V CER C0G	09939	GRM40-001C0G1R2C050C

**Replaceable Parts List for A4 Source Assembly, Part Number 08711-60104 Power Supply (5 of 14)**

Reference Designation	HP Part Number	Qty	Description	Mfr Code	Mfr Part Number
A4C577	0160-5977	1	CAP-FXD 1.2pF ±21% 50 V CER C0G	09939	GRM40-001C0G1R2C050C
A4C578	0160-5977	1	CAP-FXD 1.2pF ±21% 50 V CER C0G	09939	GRM40-001C0G1R2C050C
A4C579	0160-5972	1	CAP-FXD 5.6pF ±8.93% 50 V CER C0G	09939	GRM40-001C0G5R6D050C
A4C580	0160-5971	1	CAP-FXD 4.7pF ±10.64% 50 V CER C0G	09939	GRM40-001C0G4R7D050C
A4C581	0160-5979	1	CAP-FXD 1.5pF ±33.33% 50 V CER C0G	09939	GRM40-001C0G1R5D050C
A4C582	0160-5975	1	CAP-FXD 10pF ±5% 50 V CER C0G	09939	GRM40-001C0G100D050C
A4C583	0160-5952	1	CAP-FXD 330pF ±5% 50 V CER C0G	09939	GRM40-001C0G331J050C
A4C584	0160-6736	1	CAP-FXD 0.01uF ±10% 50 V CER X7R	09939	GRM42-602X7R103K050C
A4C585	0160-5952	1	CAP-FXD 330pF ±5% 50 V CER C0G	09939	GRM40-001C0G331J050C
A4C586	0160-5952	1	CAP-FXD 330pF ±5% 50 V CER C0G	09939	GRM40-001C0G331J050C
A4C587	0160-5952	1	CAP-FXD 330pF ±5% 50 V CER C0G	09939	GRM40-001C0G331J050C
A4C588	0160-5952	1	CAP-FXD 330pF ±5% 50 V CER C0G	09939	GRM40-001C0G331J050C
A4C589	0160-5972	1	CAP-FXD 5.6pF ±8.93% 50 V CER C0G	09939	GRM40-001C0G5R6D050C
A4C590	0160-5972	1	CAP-FXD 5.6pF ±8.93% 50 V CER C0G	09939	GRM40-001C0G5R6D050C
A4C591	0160-5972	1	CAP-FXD 5.6pF ±8.93% 50 V CER C0G	09939	GRM40-001C0G5R6D050C
A4C592	0160-5972	1	CAP-FXD 5.6pF ±8.93% 50 V CER C0G	09939	GRM40-001C0G5R6D050C
A4C593	0160-5972	1	CAP-FXD 5.6pF ±8.93% 50 V CER C0G	09939	GRM40-001C0G5R6D050C
A4C594	0160-6736	1	CAP-FXD 0.01uF ±10% 50 V CER X7R	09939	GRM42-602X7R103K050C
A4C595	0160-6736	1	CAP-FXD 0.01uF ±10% 50 V CER X7R	09939	GRM42-602X7R103K050C
A4C596	0160-6736	1	CAP-FXD 0.01uF ±10% 50 V CER X7R	09939	GRM42-602X7R103K050C
A4C597	0160-6734	1	CAP-FXD 0.047uF ±10% 50 V CER X7R	09939	GRM42-6X7R473K050C
A4C598	0160-6734	1	CAP-FXD 0.047uF ±10% 50 V CER X7R	09939	GRM42-6X7R473K050C
A4C599	0160-5972	1	CAP-FXD 5.6pF ±8.93% 50 V CER C0G	09939	GRM40-001C0G5R6D050C
A4C600	0160-5972	1	CAP-FXD 5.6pF ±8.93% 50 V CER C0G	09939	GRM40-001C0G5R6D050C
A4C601	0160-6222	1	CAP-FXD 0.1uF ±10% 50 V CER X7R	09939	GRM42-2X7R104K050V
A4C602	0160-6222	1	CAP-FXD 0.1uF ±10% 50 V CER X7R	09939	GRM42-2X7R104K050V
A4C603	0160-5952	1	CAP-FXD 330pF ±5% 50 V CER C0G	09939	GRM40-001C0G331J050C
A4C604	0160-5975	1	CAP-FXD 10pF ±5% 50 V CER C0G	09939	GRM40-001C0G100D050C
A4C605	0180-3751	1	CAP-FXD 1uF ±20% 35 V TA	00039	NRS105M35R8
A4C606	0160-5952	1	CAP-FXD 330pF ±5% 50 V CER C0G	09939	GRM40-001C0G331J050C
A4C607	0160-6222	1	CAP-FXD 0.1uF ±10% 50 V CER X7R	09939	GRM42-2X7R104K050V
A4C608	0160-6222	1	CAP-FXD 0.1uF ±10% 50 V CER X7R	09939	GRM42-2X7R104K050V
A4C609	0180-3753	1	CAP-FXD 6.8uF ±20% 35 V TA	00039	NRD685M35R12
A4C610	0160-5975	1	CAP-FXD 10pF ±5% 50 V CER C0G	09939	GRM40-001C0G100D050C
A4C611	0160-6734	1	CAP-FXD 0.047uF ±10% 50 V CER X7R	09939	GRM42-6X7R473K050C
A4C612	0160-5952	1	CAP-FXD 330pF ±5% 50 V CER C0G	09939	GRM40-001C0G331J050C
A4C613	0160-6736	1	CAP-FXD 0.01uF ±10% 50 V CER X7R	09939	GRM42-602X7R103K050C
A4C614	0160-6222	1	CAP-FXD 0.1uF ±10% 50 V CER X7R	09939	GRM42-2X7R104K050V
A4C620	0160-5980	1	CAP-FXD 1.8pF ±27.78% 50 V CER C0G	09939	GRM40-001C0G1R8D050C
A4C621	0160-5942	1	CAP-FXD 1pF ±25% 50 V CER C0G	09939	GRM40-001C0G1R0C050B
A4C622	0160-5980	1	CAP-FXD 1.8pF ±27.78% 50 V CER C0G	09939	GRM40-001C0G1R8D050C
A4C623	0160-5942	1	CAP-FXD 1pF ±25% 50 V CER C0G	09939	GRM40-001C0G1R0C050B
A4CR1	1901-1227	1	DIODE-SWITCHING 75V 200MA 6NS TO-236		
A4CR2	1901-1227	1	DIODE-SWITCHING 75V 200MA 6NS TO-236		
A4CR3	1901-1227	1	DIODE-SWITCHING 75V 200MA 6NS TO-236		
A4CR4	1901-1227	1	DIODE-SWITCHING 75V 200MA 6NS TO-236		
A4CR5	1901-1227	1	DIODE-SWITCHING 75V 200MA 6NS TO-236		
A4CR6	1901-1227	1	DIODE-SWITCHING 75V 200MA 6NS TO-236		
A4CR7	1901-1227	1	DIODE-SWITCHING 75V 200MA 6NS TO-236		
A4CR8	1900-0262	1	DIODE-SCHOTTKY SM SIG	08852	M2X1798
A4CR9	1900-0100	1	DIODE-PIN		
A4CR10	1900-0100	1	DIODE-PIN		
A4CR11	1900-0100	1	DIODE-PIN		
A4CR12	1900-0100	1	DIODE-PIN		
A4CR13	1900-0100	1	DIODE-PIN		
A4CR14	1901-1227	1	DIODE-SWITCHING 75V 200MA 6NS TO-236		
A4CR15	1901-1227	1	DIODE-SWITCHING 75V 200MA 6NS TO-236		
A4CR16	1901-1227	1	DIODE-SWITCHING 75V 200MA 6NS TO-236		
A4CR17	1901-1227	1	DIODE-SWITCHING 75V 200MA 6NS TO-236		
A4CR18	1901-1227	1	DIODE-SWITCHING 75V 200MA 6NS TO-236		
A4CR19	1901-1227	1	DIODE-SWITCHING 75V 200MA 6NS TO-236		
A4CR20	1901-1227	1	DIODE-SWITCHING 75V 200MA 6NS TO-236		
A4CR21	1906-0291	1	DIODE-DUAL 70V 100MA TO-236AA		
A4CR23	1900-0100	1	DIODE-PIN		
A4CR24	1900-0100	1	DIODE-PIN		
A4CR25	1901-1227	1	DIODE-SWITCHING 75V 200MA 6NS TO-236		
A4CR26	1901-1227	1	DIODE-SWITCHING 75V 200MA 6NS TO-236		

**Replaceable Parts List for A4 Source Assembly, Part Number 08711-60104 Power Supply (6 of 14)**

Reference Designation	HP Part Number	Qty	Description	Mfr Code	Mfr Part Number
A4CR27	1906-0375	1	DIODE-ARRAY 50V 400MA		
A4CR28	1901-1227	1	DIODE-SWITCHING 75V 200MA 6NS TO-236		
A4E1	9170-1418	1	CORE-SHIELDING BEAD		
A4E2	9170-1418	1	CORE-SHIELDING BEAD		
A4E3	9170-1418	1	CORE-SHIELDING BEAD		
A4E4	9170-1418	1	CORE-SHIELDING BEAD		
A4E5	9170-1418	1	CORE-SHIELDING BEAD		
A4E6	9170-1418	1	CORE-SHIELDING BEAD		
A4E7	9170-1418	1	CORE-SHIELDING BEAD		
A4E8	9170-1418	1	CORE-SHIELDING BEAD		
A4E9	9170-1418	1	CORE-SHIELDING BEAD		
A4E10	9170-1418	1	CORE-SHIELDING BEAD		
A4E11	9170-1421	1	CORE-SHIELDING BEAD		
A4E12	9170-1418	1	CORE-SHIELDING BEAD		
A4E13	9170-1368	1	CORE-SHIELDING BEAD		
A4E14	9170-1368	1	CORE-SHIELDING BEAD		
A4E15	9170-1368	1	CORE-SHIELDING BEAD		
A4E500	9170-1421	1	CORE-SHIELDING BEAD		
A4E501	9170-1421	1	CORE-SHIELDING BEAD		
A4E502	9170-1421	1	CORE-SHIELDING BEAD		
A4E503	9170-1418	1	CORE-SHIELDING BEAD		
A4E504	9170-1418	1	CORE-SHIELDING BEAD		
A4E506	9170-1418	1	CORE-SHIELDING BEAD		
A4E507	9170-1418	1	CORE-SHIELDING BEAD		
A4E508	9170-1421	1	CORE-SHIELDING BEAD		
A4E509	9170-1418	1	CORE-SHIELDING BEAD		
A4E510	9170-1418	1	CORE-SHIELDING BEAD		
A4E511	9170-1418	1	CORE-SHIELDING BEAD		
A4E512	9170-1418	1	CORE-SHIELDING BEAD		
A4E513	9170-1418	1	CORE-SHIELDING BEAD		
A4E514	9170-1418	1	CORE-SHIELDING BEAD		
A4E515	9170-1418	1	CORE-SHIELDING BEAD		
A4E516	9170-1418	1	CORE-SHIELDING BEAD		
A4E517	9170-1418	1	CORE-SHIELDING BEAD		
A4E518	9170-1418	1	CORE-SHIELDING BEAD		
A4E519	9170-1418	1	CORE-SHIELDING BEAD		
A4E520	9170-1418	1	CORE-SHIELDING BEAD		
A4E521	9170-1418	1	CORE-SHIELDING BEAD		
A4E522	9170-1418	1	CORE-SHIELDING BEAD		
A4E523	9170-1421	1	CORE-SHIELDING BEAD		
A4E524	9170-1418	1	CORE-SHIELDING BEAD		
A4E525	9170-1421	1	CORE-SHIELDING BEAD		
A4E526	9170-1421	1	CORE-SHIELDING BEAD		
A4E527	9170-1421	1	CORE-SHIELDING BEAD		
A4J1	1250-1986	1	CONNECTOR-RF SMA RCPT PC-W/O-STDF 50-OHM		
A4J2	1250-1512	1	CONNECTOR-RF SMB PLUG PC-W-STDFS 50-OHM		
A4J3	1250-1512	1	CONNECTOR-RF SMB PLUG PC-W-STDFS 50-OHM		
A4J4	1250-1986	1	CONNECTOR-RF SMA RCPT PC-W/O-STDF 50-OHM		
A4J5	1251-5033	1	CONN-POST TYPE .100-PIN-SPCG 3-CONT	02946	68001-603
A4J6	1251-5033	1	CONN-POST TYPE .100-PIN-SPCG 3-CONT	02946	68001-603
A4J7	1251-5033	1	CONN-POST TYPE .100-PIN-SPCG 3-CONT	02946	68001-603
A4L1	9100-2574	1	INDUCTOR RF-CH-MLD 1.2MH ±10%		
A4L2	9100-3922	1	INDUCTOR-FIXED Z > 1200 OHMS 120 TO 650	12313	99ZSPA45165
A4L3	9100-3922	1	INDUCTOR-FIXED Z > 1200 OHMS 120 TO 650	12313	99ZSPA45165
A4L4	9100-3922	1	INDUCTOR-FIXED Z > 1200 OHMS 120 TO 650	12313	99ZSPA45165
A4L5	9100-3922	1	INDUCTOR-FIXED Z > 1200 OHMS 120 TO 650	12313	99ZSPA45165
A4L6	9100-3922	1	INDUCTOR-FIXED Z > 1200 OHMS 120 TO 650	12313	99ZSPA45165
A4L7	9100-3922	1	INDUCTOR-FIXED Z > 1200 OHMS 120 TO 650	12313	99ZSPA45165
A4L8	9100-3922	1	INDUCTOR-FIXED Z > 1200 OHMS 120 TO 650	12313	99ZSPA45165
A4L9	9100-3922	1	INDUCTOR-FIXED Z > 1200 OHMS 120 TO 650	12313	99ZSPA45165
A4L10	9140-1121	1	INDUCTOR 100UH ±5% 3.4W-MMX4.8LG-MM		
A4L11	9140-1121	1	INDUCTOR 100UH ±5% 3.4W-MMX4.8LG-MM		
A4L15	9140-1244	1	INDUCTOR 1MH ±5% 3.4W-MMX4.8LG-MM Q=30	08709	ELJ-FB102JE
A4L500	9140-1113	1	INDUCTOR 10UH ±5% 3.4W-MMX4.8LG-MM Q=50		
A4L501	9140-1113	1	INDUCTOR 10UH ±5% 3.4W-MMX4.8LG-MM Q=50		
A4L502	9140-1113	1	INDUCTOR 10UH ±5% 3.4W-MMX4.8LG-MM Q=50		
A4L503	9140-1116	1	INDUCTOR 33UH ±5% 3.4W-MMX4.8LG-MM Q=50		

**Replaceable Parts List for A4 Source Assembly, Part Number 08711-60104 Power Supply (7 of 14)**

Reference Designation	HP Part Number	Qty	Description	Mfr Code	Mfr Part Number
A4L504	9140-1116	1	INDUCTOR 33UH ±5% 3.4W-MMX4.8LG-MM Q=50		
A4L505	9140-1113	1	INDUCTOR 10UH ±5% 3.4W-MMX4.8LG-MM Q=50		
A4L506	9140-1116	1	INDUCTOR 33UH ±5% 3.4W-MMX4.8LG-MM Q=50		
A4L507	9140-1116	1	INDUCTOR 33UH ±5% 3.4W-MMX4.8LG-MM Q=50		
A4L508	9140-1111	1	INDUCTOR 6.8UH ±5% 3.4W-MMX4.8LG-MM		
A4L509	9140-1111	1	INDUCTOR 6.8UH ±5% 3.4W-MMX4.8LG-MM		
A4L510	9140-1111	1	INDUCTOR 6.8UH ±5% 3.4W-MMX4.8LG-MM		
A4L511	9140-1244	1	INDUCTOR 1MH ±5% 3.4W-MMX4.8LG-MM Q=30	08709	ELJ-FB102JE
A4MP1	08711-20104	1			
A4MP2	7121-4611	1	LABEL-INFORMATION .15-IN-WD .6-IN-LG	09002	
A4MP3	08711-20022	1			
A4MP4	08711-20043	1			
A4MP5	08711-20043	1			
A4MP6	08711-20023	1			
A4MP7	08711-20024	1			
A4MP8	08711-20025	1			
A4MP9	08711-20044	1			
A4MP10	08711-20044	1			
A4MP11	0515-0664	1	SCREW-MACHINE ASSEMBLY M3 X 0.5 12MM-LG	05610	
A4MP12	0515-0664	1	SCREW-MACHINE ASSEMBLY M3 X 0.5 12MM-LG	05610	
A4MP13	0515-0664	1	SCREW-MACHINE ASSEMBLY M3 X 0.5 12MM-LG	05610	
A4MP14	0515-0664	1	SCREW-MACHINE ASSEMBLY M3 X 0.5 12MM-LG	05610	
A4MP15	0515-0664	1	SCREW-MACHINE ASSEMBLY M3 X 0.5 12MM-LG	05610	
A4MP16	0515-0664	1	SCREW-MACHINE ASSEMBLY M3 X 0.5 12MM-LG	05610	
A4MP17	0515-0664	1	SCREW-MACHINE ASSEMBLY M3 X 0.5 12MM-LG	05610	
A4MP18	0515-0664	1	SCREW-MACHINE ASSEMBLY M3 X 0.5 12MM-LG	05610	
A4MP19	0515-0664	1	SCREW-MACHINE ASSEMBLY M3 X 0.5 12MM-LG	05610	
A4MP20	0515-0664	1	SCREW-MACHINE ASSEMBLY M3 X 0.5 12MM-LG	05610	
A4MP21	0515-0664	1	SCREW-MACHINE ASSEMBLY M3 X 0.5 12MM-LG	05610	
A4MP22	0515-0664	1	SCREW-MACHINE ASSEMBLY M3 X 0.5 12MM-LG	05610	
A4MP23	0515-0664	1	SCREW-MACHINE ASSEMBLY M3 X 0.5 12MM-LG	05610	
A4MP24	0515-0664	1	SCREW-MACHINE ASSEMBLY M3 X 0.5 12MM-LG	05610	
A4MP25	0515-0664	1	SCREW-MACHINE ASSEMBLY M3 X 0.5 12MM-LG	05610	
A4MP26	0515-0664	1	SCREW-MACHINE ASSEMBLY M3 X 0.5 12MM-LG	05610	
A4MP27	0515-0664	1	SCREW-MACHINE ASSEMBLY M3 X 0.5 12MM-LG	05610	
A4MP28	0515-0664	1	SCREW-MACHINE ASSEMBLY M3 X 0.5 12MM-LG	05610	
A4MP29	0515-0664	1	SCREW-MACHINE ASSEMBLY M3 X 0.5 12MM-LG	05610	
A4MP30	0515-0664	1	SCREW-MACHINE ASSEMBLY M3 X 0.5 12MM-LG	05610	
A4MP31	0515-0664	1	SCREW-MACHINE ASSEMBLY M3 X 0.5 12MM-LG	05610	
A4MP32	0515-0664	1	SCREW-MACHINE ASSEMBLY M3 X 0.5 12MM-LG	05610	
A4MP33	1400-1661	1	CLAMP-COMPONENT SST	13522	
A4MP34	1400-1661	1	CLAMP-COMPONENT SST	13522	
A4MP35	1400-1661	1	CLAMP-COMPONENT SST	13522	
A4MP36	1400-1662	1	CLAMP-COMPONENT SST	13522	
A4MP37	1400-1662	1	CLAMP-COMPONENT SST	13522	
A4MP38	0590-1637	1	THREADED INSERT-NUT M2 X 0.4 1.5-MM-LG	03981	KFS2-M2
A4MP39	0590-1637	1	THREADED INSERT-NUT M2 X 0.4 1.5-MM-LG	03981	KFS2-M2
A4MP40	0590-1637	1	THREADED INSERT-NUT M2 X 0.4 1.5-MM-LG	03981	KFS2-M2
A4MP41	0590-1637	1	THREADED INSERT-NUT M2 X 0.4 1.5-MM-LG	03981	KFS2-M2
A4MP42	0590-1637	1	THREADED INSERT-NUT M2 X 0.4 1.5-MM-LG	03981	KFS2-M2
A4MP43	0590-1637	1	THREADED INSERT-NUT M2 X 0.4 1.5-MM-LG	03981	KFS2-M2
A4MP44	0590-1637	1	THREADED INSERT-NUT M2 X 0.4 1.5-MM-LG	03981	KFS2-M2
A4MP45	0590-1637	1	THREADED INSERT-NUT M2 X 0.4 1.5-MM-LG	03981	KFS2-M2
A4MP46	0590-1637	1	THREADED INSERT-NUT M2 X 0.4 1.5-MM-LG	03981	KFS2-M2
A4MP47	0590-1637	1	THREADED INSERT-NUT M2 X 0.4 1.5-MM-LG	03981	KFS2-M2
A4MP48	0515-0658	1	SCREW-MACHINE ASSEMBLY M2 X 0.4 6MM-LG	05610	
A4MP49	0515-0658	1	SCREW-MACHINE ASSEMBLY M2 X 0.4 6MM-LG	05610	
A4MP50	0515-0658	1	SCREW-MACHINE ASSEMBLY M2 X 0.4 6MM-LG	05610	
A4MP51	0515-0658	1	SCREW-MACHINE ASSEMBLY M2 X 0.4 6MM-LG	05610	
A4MP52	0515-0658	1	SCREW-MACHINE ASSEMBLY M2 X 0.4 6MM-LG	05610	
A4MP53	0515-0658	1	SCREW-MACHINE ASSEMBLY M2 X 0.4 6MM-LG	05610	
A4MP54	0515-0658	1	SCREW-MACHINE ASSEMBLY M2 X 0.4 6MM-LG	05610	
A4MP55	0515-0658	1	SCREW-MACHINE ASSEMBLY M2 X 0.4 6MM-LG	05610	
A4MP56	0515-0658	1	SCREW-MACHINE ASSEMBLY M2 X 0.4 6MM-LG	05610	
A4MP57	0515-0658	1	SCREW-MACHINE ASSEMBLY M2 X 0.4 6MM-LG	05610	
A4MP58	1205-0639	1	HEAT SINK SGL TO-220-CS	07179	5910B
A4MP59	1205-0639	1	HEAT SINK SGL TO-220-CS	07179	5910B



**Replaceable Parts List for A4 Source Assembly, Part Number 08711-60104 Power Supply (8 of 14)**

Reference Designation	HP Part Number	Qty	Description	Mfr Code	Mfr Part Number
A4MP60	1205-0639	1	HEAT SINK SGL TO-220-CS	07179	5910B
A4MP61	1205-0639	1	HEAT SINK SGL TO-220-CS	07179	5910B
A4MP62	1205-0639	1	HEAT SINK SGL TO-220-CS	07179	5910B
A4MP63	08711-20017	1			
A4MP64	2580-0003	1	NUT-HEX-W/LKWR 8-32-THD .125-IN-THK	04805	511-081800-00-0280-2580
A4MP65	0515-0430	1	SCREW-MACHINE ASSEMBLY M3 X 0.5 6MM-LG	05610	
A4MP66	0515-0430	1	SCREW-MACHINE ASSEMBLY M3 X 0.5 6MM-LG	05610	
A4MP67	0515-0430	1	SCREW-MACHINE ASSEMBLY M3 X 0.5 6MM-LG	05610	
A4MP68	0515-0430	1	SCREW-MACHINE ASSEMBLY M3 X 0.5 6MM-LG	05610	
A4MP69	0515-0430	1	SCREW-MACHINE ASSEMBLY M3 X 0.5 6MM-LG	05610	
A4MP70	0590-1095	1	THREADED INSERT-NUT M3 X 0.5 1.5-MM-LG	03981	KF2-M3-ZI
A4MP71	0590-1095	1	THREADED INSERT-NUT M3 X 0.5 1.5-MM-LG	03981	KF2-M3-ZI
A4MP72	0590-1095	1	THREADED INSERT-NUT M3 X 0.5 1.5-MM-LG	03981	KF2-M3-ZI
A4MP73	08711-60034	1			
A4MP74	0590-1095	1	THREADED INSERT-NUT M3 X 0.5 1.5-MM-LG	03981	KF2-M3-ZI
A4MP75	0590-1095	1	THREADED INSERT-NUT M3 X 0.5 1.5-MM-LG	03981	KF2-M3-ZI
A4MP76	1400-1669	1	BRACKET L-BRACKET; ALUMINUM; W/M3X0.5	13522	
A4MP77	0515-0430	1	SCREW-MACHINE ASSEMBLY M3 X 0.5 6MM-LG	05610	
A4MP78	0515-0430	1	SCREW-MACHINE ASSEMBLY M3 X 0.5 6MM-LG	05610	
A4MP79	2190-0124	1	WASHER-LK INTL T NO. 10 .195-IN-ID	05769	3002-26
A4MP80	2190-0124	1	WASHER-LK INTL T NO. 10 .195-IN-ID	05769	3002-26
A4MP81	2950-0078	1	NUT-HEX-DBL-CHAM 10-32-THD .067-IN-THK	04637	500220
A4MP82	2950-0078	1	NUT-HEX-DBL-CHAM 10-32-THD .067-IN-THK	04637	500220
NONE0012	08711-65104	1			
A4P1	1252-2356	1	CONN-POST TYPE 2.54-PIN-SPCG 96-CONT	01380	650913-5
A4Q1	1853-0581	1	TRANSISTOR PNP SI SOT-23 (TO-236AB)		
A4Q2	1854-1226	1	TRANSISTOR NPN SI TO-253 PD=400MW		
A4Q3	1854-1037	1	TRANSISTOR NPN SI TO-236AA PD=350MW		
A4Q4	1854-1037	1	TRANSISTOR NPN SI TO-236AA PD=350MW		
A4Q5	1854-1037	1	TRANSISTOR NPN SI TO-236AA PD=350MW		
A4Q6	1854-1248	1	TRANSISTOR NPN SI SOT-23 (TO-236AB)		
A4Q7	1854-1037	1	TRANSISTOR NPN SI TO-236AA PD=350MW		
A4Q8	1854-1188	1	TRANSISTOR NPN SI SOT-23 (TO-236AB)		
A4Q9	1854-1226	1	TRANSISTOR NPN SI TO-253 PD=400MW		
A4Q10	1853-0581	1	TRANSISTOR PNP SI SOT-23 (TO-236AB)		
A4Q11	1854-1047	1	TRANSISTOR NPN SI PD=5W FT=5.5GHZ		
A4Q12	1854-1032	1	TRANSISTOR NPN SI PD=2.5W		
A4Q13	1854-1226	1	TRANSISTOR NPN SI TO-253 PD=400MW		
A4Q14	1853-0581	1	TRANSISTOR PNP SI SOT-23 (TO-236AB)		
A4Q15	1854-0828	1	TRANSISTOR NPN SI TO-220AB PD=65W	00039	NTD560
A4Q16	1854-1037	1	TRANSISTOR NPN SI TO-236AA PD=350MW		
A4Q17	1854-1095	1	TRANSISTOR NPN SI SOT-23 (TO-236AB)		
A4Q18	1854-1094	1	TRANSISTOR NPN SI SOT-89 (TO-243AB)		
A4Q19	1854-1037	1	TRANSISTOR NPN SI TO-236AA PD=350MW		
A4Q20	1855-0082	1	TRANSISTOR J-FET P-CHAN D-MODE SI		
A4Q21	1854-1251	1	TRANSISTOR-DUAL NPN	03285	SSM-2210S
A4Q22	1854-1251	1	TRANSISTOR-DUAL NPN	03285	SSM-2210S
A4Q23	1854-1037	1	TRANSISTOR NPN SI TO-236AA PD=350MW		
A4Q24	1854-1037	1	TRANSISTOR NPN SI TO-236AA PD=350MW		
A4Q25	1854-1094	1	TRANSISTOR NPN SI SOT-89 (TO-243AB)		
A4Q26	1854-1095	1	TRANSISTOR NPN SI SOT-23 (TO-236AB)		
A4Q27	1854-0828	1	TRANSISTOR NPN SI TO-220AB PD=65W	00039	NTD560
A4R1	0699-1427	1	RESISTOR 316 ±1% .125W TKF TC=0±100	06119	D25 316 OHM
A4R2	0699-1318	1	RESISTOR 1K ±1% .125W TKF TC=0±100	06119	D25 1K OHM
A4R4	0699-1366	1	RESISTOR 82.5 ±1% .125W TKF TC=0±100	06119	D25 82.5 OHM
A4R5	1810-1065	1	NETWORK-RES 16-SMD 1.0K OHM X 15	09891	HM16B102G 100PPM
A4R6	0699-1388	1	RESISTOR 7.5K ±1% .125W TKF TC=0±100	06119	D25 7.5K OHM
A4R8	1810-1064	1	NETWORK-RES 16-SMD 10.0K OHM X 15	09891	HM16B103G 100PPM
A4R10	0699-1320	1	RESISTOR 19.6K ±1% .125W TKF TC=0±100	06119	D25 19.6K OHM
A4R11	0699-1318	1	RESISTOR 1K ±1% .125W TKF TC=0±100	06119	D25 1K OHM
A4R12	0699-1318	1	RESISTOR 1K ±1% .125W TKF TC=0±100	06119	D25 1K OHM
A4R13	0699-1318	1	RESISTOR 1K ±1% .125W TKF TC=0±100	06119	D25 1K OHM
A4R14	0699-1369	1	RESISTOR 1.1K ±1% .125W TKF TC=0±100	06119	D25 1.1K OHM
A4R15	0699-1389	1	RESISTOR 8.25K ±1% .125W TKF TC=0±100	06119	D25 8.25K OHM
A4R16	0699-1389	1	RESISTOR 8.25K ±1% .125W TKF TC=0±100	06119	D25 8.25K OHM
A4R17	0699-1382	1	RESISTOR 3.89K ±1% .125W TKF TC=0±100	06119	D25 3.89K OHM
A4R18	0699-1385	1	RESISTOR 5.11K ±1% .125W TKF TC=0±100	06119	D25 5.11K OHM

*Replaceable Parts List for A4 Source Assembly, Part Number 08711-60104 Power Supply (9 of 14)*

Reference Designation	HP Part Number	Qty	Description	Mfr Code	Mfr Part Number
A4R19	0699-1394	1	RESISTOR 14.7K ±1% .125W TKF TC=0±100	06119	D25 14.7K OHM
A4R20	0699-1391	1	RESISTOR 10K ±1% .125W TKF TC=0±100	06119	D25 10K OHM
A4R21	0699-1320	1	RESISTOR 19.6K ±1% .125W TKF TC=0±100	06119	D25 19.6K OHM
A4R22	0699-1785	1	RESISTOR 13.3K ±1% .125W TKF TC=0±100	06119	D25 13.3K OHM
A4R23	0699-1329	1	RESISTOR 6.19K ±1% .125W TKF TC=0±100	06119	D25 6.19K OHM
A4R24	0699-1408	1	RESISTOR 51.1K ±1% .125W TKF TC=0±100	06119	D25 51.1K OHM
A4R25	0699-1408	1	RESISTOR 51.1K ±1% .125W TKF TC=0±100	06119	D25 51.1K OHM
A4R26	0699-1329	1	RESISTOR 6.19K ±1% .125W TKF TC=0±100	06119	D25 6.19K OHM
A4R27	0699-1391	1	RESISTOR 10K ±1% .125W TKF TC=0±100	06119	D25 10K OHM
A4R28	0699-1399	1	RESISTOR 23.7K ±1% .125W TKF TC=0±100	06119	D25 23.7K OHM
A4R29	0699-1396	1	RESISTOR 17.8K ±1% .125W TKF TC=0±100	06119	D25 17.8K OHM
A4R30	0699-1401	1	RESISTOR 28.7K ±1% .125W TKF TC=0±100	06119	D25 28.7K OHM
A4R31	0699-1407	1	RESISTOR 46.4K ±1% .125W TKF TC=0±100	06119	D25 46.4K OHM
A4R32	0699-1401	1	RESISTOR 28.7K ±1% .125W TKF TC=0±100	06119	D25 28.7K OHM
A4R33	0699-1376	1	RESISTOR 2.15K ±1% .125W TKF TC=0±100	06119	D25 2.15K OHM
A4R34	0699-1433	1	RESISTOR 562 ±1% .125W TKF TC=0±100	06119	D25 562 OHM
A4R35	0699-1436	1	RESISTOR 750 ±1% .125W TKF TC=0±100	06119	D25 750 OHM
A4R36	0699-1318	1	RESISTOR 1K ±1% .125W TKF TC=0±100	06119	D25 1K OHM
A4R37	0699-1375	1	RESISTOR 1.96K ±1% .125W TKF TC=0±100	06119	D25 1.96K OHM
A4R38	0699-1329	1	RESISTOR 6.19K ±1% .125W TKF TC=0±100	06119	D25 6.19K OHM
A4R39	0699-1386	1	RESISTOR 5.62K ±1% .125W TKF TC=0±100	06119	D25 5.62K OHM
A4R41	0699-1422	1	RESISTOR 196 ±1% .125W TKF TC=0±100	06119	D25 196 OHM
A4R42	0699-1385	1	RESISTOR 5.11K ±1% .125W TKF TC=0±100	06119	D25 5.11K OHM
A4R43	0699-1319	1	RESISTOR 12.1K ±1% .125W TKF TC=0±100	06119	D25 12.1K OHM
A4R44	0699-1378	1	RESISTOR 2.61K ±1% .125W TKF TC=0±100	06119	D25 2.61K OHM
A4R45	0699-1319	1	RESISTOR 12.1K ±1% .125W TKF TC=0±100	06119	D25 12.1K OHM
A4R46	0699-1385	1	RESISTOR 5.11K ±1% .125W TKF TC=0±100	06119	D25 5.11K OHM
A4R47	0699-1418	1	RESISTOR 133 ±1% .125W TKF TC=0±100	06119	D25 133 OHM
A4R48	0699-1432	1	RESISTOR 511 ±1% .125W TKF TC=0±100	06119	D25 511 OHM
A4R49	0699-1318	1	RESISTOR 1K ±1% .125W TKF TC=0±100	06119	D25 1K OHM
A4R50	0764-0033	1	RESISTOR 33 ±5% 2W MO TC=0±200	02499	GS-3
A4R51	0699-1375	1	RESISTOR 1.96K ±1% .125W TKF TC=0±100	06119	D25 1.96K OHM
A4R52	0699-1400	1	RESISTOR 26.1K ±1% .125W TKF TC=0±100	06119	D25 26.1K OHM
A4R53	0699-1380	1	RESISTOR 3.16K ±1% .125W TKF TC=0±100	06119	D25 3.16K OHM
A4R54	0699-1408	1	RESISTOR 51.1K ±1% .125W TKF TC=0±100	06119	D25 51.1K OHM
A4R55	0699-1330	1	RESISTOR 100K ±1% .125W TKF TC=0±100	06119	D25 100K OHM
A4R56	0764-0033	1	RESISTOR 33 ±5% 2W MO TC=0±200	02499	GS-3
A4R57	0699-1355	1	RESISTOR 28.7 ±1% .125W TKF TC=0±100	06119	D25 28.7 OHM
A4R58	0699-1344	1	RESISTOR 10 ±1% .125W TKF TC=0±100	06119	D25 10 OHM
A4R59	0699-1344	1	RESISTOR 10 ±1% .125W TKF TC=0±100	06119	D25 10 OHM
A4R61	0699-1318	1	RESISTOR 1K ±1% .125W TKF TC=0±100	06119	D25 1K OHM
A4R62	0699-1318	1	RESISTOR 1K ±1% .125W TKF TC=0±100	06119	D25 1K OHM
A4R63	0699-1318	1	RESISTOR 1K ±1% .125W TKF TC=0±100	06119	D25 1K OHM
A4R64	0699-1369	1	RESISTOR 1.1K ±1% .125W TKF TC=0±100	06119	D25 1.1K OHM
A4R65	0699-1377	1	RESISTOR 2.37K ±1% .125W TKF TC=0±100	06119	D25 2.37K OHM
A4R66	0699-1377	1	RESISTOR 2.37K ±1% .125W TKF TC=0±100	06119	D25 2.37K OHM
A4R67	0699-1320	1	RESISTOR 19.6K ±1% .125W TKF TC=0±100	06119	D25 19.6K OHM
A4R68	0698-8805	1	RESISTOR 10.35K ±0.1% .125W TF TC=0±25	05524	CMF-55-1
A4R69	0698-8805	1	RESISTOR 10.35K ±0.1% .125W TF TC=0±25	05524	CMF-55-1
A4R70	0698-8805	1	RESISTOR 10.35K ±0.1% .125W TF TC=0±25	05524	CMF-55-1
A4R71	0698-8805	1	RESISTOR 10.35K ±0.1% .125W TF TC=0±25	05524	CMF-55-1
A4R72	0698-8805	1	RESISTOR 10.35K ±0.1% .125W TF TC=0±25	05524	CMF-55-1
A4R73	0698-8805	1	RESISTOR 10.35K ±0.1% .125W TF TC=0±25	05524	CMF-55-1
A4R74	0698-8805	1	RESISTOR 10.35K ±0.1% .125W TF TC=0±25	05524	CMF-55-1
A4R75	0698-8805	1	RESISTOR 10.35K ±0.1% .125W TF TC=0±25	05524	CMF-55-1
A4R76	0699-1436	1	RESISTOR 750 ±1% .125W TKF TC=0±100	06119	D25 750 OHM
A4R77	0699-1436	1	RESISTOR 750 ±1% .125W TKF TC=0±100	06119	D25 750 OHM
A4R78	0699-1385	1	RESISTOR 5.11K ±1% .125W TKF TC=0±100	06119	D25 5.11K OHM
A4R79	0699-1385	1	RESISTOR 5.11K ±1% .125W TKF TC=0±100	06119	D25 5.11K OHM
A4R80	0699-1408	1	RESISTOR 51.1K ±1% .125W TKF TC=0±100	06119	D25 51.1K OHM
A4R81	0699-1408	1	RESISTOR 51.1K ±1% .125W TKF TC=0±100	06119	D25 51.1K OHM
A4R82	0699-1329	1	RESISTOR 6.19K ±1% .125W TKF TC=0±100	06119	D25 6.19K OHM
A4R83	0699-1369	1	RESISTOR 1.1K ±1% .125W TKF TC=0±100	06119	D25 1.1K OHM
A4R84	0699-1369	1	RESISTOR 1.1K ±1% .125W TKF TC=0±100	06119	D25 1.1K OHM
A4R86	0699-1399	1	RESISTOR 23.7K ±1% .125W TKF TC=0±100	06119	D25 23.7K OHM
A4R87	0699-1380	1	RESISTOR 3.16K ±1% .125W TKF TC=0±100	06119	D25 3.16K OHM
A4R88	0699-1423	1	RESISTOR 215 ±1% .125W TKF TC=0±100	06119	D25 215 OHM

**Replaceable Parts List for A4 Source Assembly, Part Number 08711-60104 Power Supply (10 of 14)**

Reference Designation	HP Part Number	Qty	Description	Mfr Code	Mfr Part Number
A4R89	0699-1391	1	RESISTOR 10K ±1% .125W TKF TC=0±100	06119	D25 10K OHM
A4R90	0699-1385	1	RESISTOR 5.11K ±1% .125W TKF TC=0±100	06119	D25 5.11K OHM
A4R91	0699-1391	1	RESISTOR 10K ±1% .125W TKF TC=0±100	06119	D25 10K OHM
A4R92	0699-1391	1	RESISTOR 10K ±1% .125W TKF TC=0±100	06119	D25 10K OHM
A4R93	0699-1391	1	RESISTOR 10K ±1% .125W TKF TC=0±100	06119	D25 10K OHM
A4R95	0699-1365	1	RESISTOR 75 ±1% .125W TKF TC=0±100	06119	D25 75.0 OHM
A4R96	0699-1344	1	RESISTOR 10 ±1% .125W TKF TC=0±100	06119	D25 10 OHM
A4R97	0699-1365	1	RESISTOR 75 ±1% .125W TKF TC=0±100	06119	D25 75.0 OHM
A4R98	0699-1344	1	RESISTOR 10 ±1% .125W TKF TC=0±100	06119	D25 10 OHM
A4R99	0699-1423	1	RESISTOR 215 ±1% .125W TKF TC=0±100	06119	D25 215 OHM
A4R100	0699-1423	1	RESISTOR 215 ±1% .125W TKF TC=0±100	06119	D25 215 OHM
A4R101	0699-1352	1	RESISTOR 21.5 ±1% .125W TKF TC=0±100	06119	D25 21.5 OHM
A4R102	0699-1318	1	RESISTOR 1K ±1% .125W TKF TC=0±100	06119	D25 1K OHM
A4R103	0699-1318	1	RESISTOR 1K ±1% .125W TKF TC=0±100	06119	D25 1K OHM
A4R104	0699-1375	1	RESISTOR 1.96K ±1% .125W TKF TC=0±100	06119	D25 1.96K OHM
A4R105	0699-1318	1	RESISTOR 1K ±1% .125W TKF TC=0±100	06119	D25 1K OHM
A4R118	0699-1399	1	RESISTOR 23.7K ±1% .125W TKF TC=0±100	06119	D25 23.7K OHM
A4R120	0699-1435	1	RESISTOR 681 ±1% .125W TKF TC=0±100	06119	D25 681 OHM
A4R121	0699-1435	1	RESISTOR 681 ±1% .125W TKF TC=0±100	06119	D25 681 OHM
A4R122	0699-1435	1	RESISTOR 681 ±1% .125W TKF TC=0±100	06119	D25 681 OHM
A4R123	0699-1436	1	RESISTOR 750 ±1% .125W TKF TC=0±100	06119	D25 750 OHM
A4R124	0699-1320	1	RESISTOR 19.6K ±1% .125W TKF TC=0±100	06119	D25 19.6K OHM
A4R125	0699-1388	1	RESISTOR 7.5K ±1% .125W TKF TC=0±100	06119	D25 7.5K OHM
A4R126	0699-1388	1	RESISTOR 7.5K ±1% .125W TKF TC=0±100	06119	D25 7.5K OHM
A4R127	0699-1432	1	RESISTOR 511 ±1% .125W TKF TC=0±100	06119	D25 511 OHM
A4R128	0699-1388	1	RESISTOR 7.5K ±1% .125W TKF TC=0±100	06119	D25 7.5K OHM
A4R129	0699-1391	1	RESISTOR 10K ±1% .125W TKF TC=0±100	06119	D25 10K OHM
A4R130	0699-1385	1	RESISTOR 5.11K ±1% .125W TKF TC=0±100	06119	D25 5.11K OHM
A4R131	0699-1415	1	RESISTOR 100 ±1% .125W TKF TC=0±100	06119	D25 100 OHM
A4R132	0699-1318	1	RESISTOR 1K ±1% .125W TKF TC=0±100	06119	D25 1K OHM
A4R133	0699-1399	1	RESISTOR 23.7K ±1% .125W TKF TC=0±100	06119	D25 23.7K OHM
A4R134	0699-1408	1	RESISTOR 51.1K ±1% .125W TKF TC=0±100	06119	D25 51.1K OHM
A4R135	0699-1408	1	RESISTOR 51.1K ±1% .125W TKF TC=0±100	06119	D25 51.1K OHM
A4R136	0699-1329	1	RESISTOR 6.19K ±1% .125W TKF TC=0±100	06119	D25 6.19K OHM
A4R137	0699-1391	1	RESISTOR 10K ±1% .125W TKF TC=0±100	06119	D25 10K OHM
A4R138	0699-1391	1	RESISTOR 10K ±1% .125W TKF TC=0±100	06119	D25 10K OHM
A4R139	0699-1385	1	RESISTOR 5.11K ±1% .125W TKF TC=0±100	06119	D25 5.11K OHM
A4R140	0699-1344	1	RESISTOR 10 ±1% .125W TKF TC=0±100	06119	D25 10 OHM
A4R141	0699-1344	1	RESISTOR 10 ±1% .125W TKF TC=0±100	06119	D25 10 OHM
A4R142	0699-1365	1	RESISTOR 75 ±1% .125W TKF TC=0±100	06119	D25 75.0 OHM
A4R143	0699-1425	1	RESISTOR 261 ±1% .125W TKF TC=0±100	06119	D25 261 OHM
A4R144	0699-1318	1	RESISTOR 1K ±1% .125W TKF TC=0±100	06119	D25 1K OHM
A4R145	0699-1423	1	RESISTOR 215 ±1% .125W TKF TC=0±100	06119	D25 215 OHM
A4R146	0699-1423	1	RESISTOR 215 ±1% .125W TKF TC=0±100	06119	D25 215 OHM
A4R147	0699-1351	1	RESISTOR 19.6 ±1% .125W TKF TC=0±100	06119	D25 19.6 OHM
A4R148	0699-1360	1	RESISTOR 3.16K ±1% .125W TKF TC=0±100	06119	D25 3.16K OHM
A4R149	0699-1365	1	RESISTOR 75 ±1% .125W TKF TC=0±100	06119	D25 75.0 OHM
A4R150	0699-1375	1	RESISTOR 1.96K ±1% .125W TKF TC=0±100	06119	D25 1.96K OHM
A4R151	0699-1423	1	RESISTOR 215 ±1% .125W TKF TC=0±100	06119	D25 215 OHM
A4R152	0699-1375	1	RESISTOR 1.96K ±1% .125W TKF TC=0±100	06119	D25 1.96K OHM
A4R153	0699-1423	1	RESISTOR 215 ±1% .125W TKF TC=0±100	06119	D25 215 OHM
A4R161	0699-1424	1	RESISTOR 237 ±1% .125W TKF TC=0±100	06119	D25 237 OHM
A4R162	0699-1424	1	RESISTOR 237 ±1% .125W TKF TC=0±100	06119	D25 237 OHM
A4R163	0699-1424	1	RESISTOR 237 ±1% .125W TKF TC=0±100	06119	D25 237 OHM
A4R164	0699-1424	1	RESISTOR 237 ±1% .125W TKF TC=0±100	06119	D25 237 OHM
A4R165	0699-1424	1	RESISTOR 237 ±1% .125W TKF TC=0±100	06119	D25 237 OHM
A4R166	0699-1424	1	RESISTOR 237 ±1% .125W TKF TC=0±100	06119	D25 237 OHM
A4R167	0699-1424	1	RESISTOR 237 ±1% .125W TKF TC=0±100	06119	D25 237 OHM
A4R168	0699-1424	1	RESISTOR 237 ±1% .125W TKF TC=0±100	06119	D25 237 OHM
A4R170	0699-1416	1	RESISTOR 110 ±1% .125W TKF TC=0±100	06119	D25 110 OHM
A4R172	0699-1416	1	RESISTOR 110 ±1% .125W TKF TC=0±100	06119	D25 110 OHM
A4R173	0699-1424	1	RESISTOR 237 ±1% .125W TKF TC=0±100	06119	D25 237 OHM
A4R174	0699-1363	1	RESISTOR 61.9 ±1% .125W TKF TC=0±100	06119	D25 61.9 OHM
A4R175	0699-1363	1	RESISTOR 61.9 ±1% .125W TKF TC=0±100	06119	D25 61.9 OHM
A4R176	0699-1318	1	RESISTOR 1K ±1% .125W TKF TC=0±100	06119	D25 1K OHM
A4R177	0699-1318	1	RESISTOR 1K ±1% .125W TKF TC=0±100	06119	D25 1K OHM
A4R178	0699-1432	1	RESISTOR 511 ±1% .125W TKF TC=0±100	06119	D25 511 OHM

**Replaceable Parts List for A4 Source Assembly, Part Number 08711-60104 Power Supply (11 of 14)**

Reference Designation	HP Part Number	Qty	Description	Mfr Code	Mfr Part Number
A4R179	0699-1432	1	RESISTOR 511 ±1% .125W TKF TC=0±100	06119	D25 511 OHM
A4R180	0699-1375	1	RESISTOR 1.96K ±1% .125W TKF TC=0±100	06119	D25 1.96K OHM
A4R181	0699-1375	1	RESISTOR 1.96K ±1% .125W TKF TC=0±100	06119	D25 1.96K OHM
A4R182	0699-1355	1	RESISTOR 28.7 ±1% .125W TKF TC=0±100	06119	D25 28.7 OHM
A4R183	0699-1355	1	RESISTOR 28.7 ±1% .125W TKF TC=0±100	06119	D25 28.7 OHM
A4R184	0699-1355	1	RESISTOR 28.7 ±1% .125W TKF TC=0±100	06119	D25 28.7 OHM
A4R185	0699-1355	1	RESISTOR 28.7 ±1% .125W TKF TC=0±100	06119	D25 28.7 OHM
A4R186	0699-1355	1	RESISTOR 28.7 ±1% .125W TKF TC=0±100	06119	D25 28.7 OHM
A4R187	0699-1355	1	RESISTOR 28.7 ±1% .125W TKF TC=0±100	06119	D25 28.7 OHM
A4R188	0699-1355	1	RESISTOR 28.7 ±1% .125W TKF TC=0±100	06119	D25 28.7 OHM
A4R189	0699-1355	1	RESISTOR 28.7 ±1% .125W TKF TC=0±100	06119	D25 28.7 OHM
A4R190	0699-1427	1	RESISTOR 316 ±1% .125W TKF TC=0±100	06119	D25 316 OHM
A4R191	0699-1427	1	RESISTOR 316 ±1% .125W TKF TC=0±100	06119	D25 316 OHM
A4R192	0699-1385	1	RESISTOR 5.11K ±1% .125W TKF TC=0±100	06119	D25 5.11K OHM
A4R193	0699-1381	1	RESISTOR 3.48K ±1% .125W TKF TC=0±100	06119	D25 3.48K OHM
A4R194	0699-1425	1	RESISTOR 261 ±1% .125W TKF TC=0±100	06119	D25 261 OHM
A4R195	0699-1425	1	RESISTOR 261 ±1% .125W TKF TC=0±100	06119	D25 261 OHM
A4R196	0699-1425	1	RESISTOR 261 ±1% .125W TKF TC=0±100	06119	D25 261 OHM
A4R197	0699-2064	1	RESISTOR 6.8 ±5% .125W TKF TC=0±500		
A4R198	0811-1085	1	RESISTOR 33 ±5% 3W PWI TC=0±30	01854	T2B-79
A4R199	0699-1425	1	RESISTOR 261 ±1% .125W TKF TC=0±100	06119	D25 261 OHM
A4R200	0699-2064	1	RESISTOR 6.8 ±5% .125W TKF TC=0±500		
A4R201	0699-1366	1	RESISTOR 82.5 ±1% .125W TKF TC=0±100	06119	D25 82.5 OHM
A4R202	0699-1432	1	RESISTOR 511 ±1% .125W TKF TC=0±100	06119	D25 511 OHM
A4R203	0699-1391	1	RESISTOR 10K ±1% .125W TKF TC=0±100	06119	D25 10K OHM
A4R205	0699-1424	1	RESISTOR 237 ±1% .125W TKF TC=0±100	06119	D25 237 OHM
A4R206	0699-1424	1	RESISTOR 237 ±1% .125W TKF TC=0±100	06119	D25 237 OHM
A4R207	0699-1424	1	RESISTOR 237 ±1% .125W TKF TC=0±100	06119	D25 237 OHM
A4R208	0699-1424	1	RESISTOR 237 ±1% .125W TKF TC=0±100	06119	D25 237 OHM
A4R213	0699-1375	1	RESISTOR 1.96K ±1% .125W TKF TC=0±100	06119	D25 1.96K OHM
A4R215	0699-1431	1	RESISTOR 464 ±1% .125W TKF TC=0±100	06119	D25 464 OHM
A4R216	0699-1375	1	RESISTOR 1.96K ±1% .125W TKF TC=0±100	06119	D25 1.96K OHM
A4R218	0699-1320	1	RESISTOR 19.6K ±1% .125W TKF TC=0±100	06119	D25 19.6K OHM
A4R219	0699-1327	1	RESISTOR 1M ±1% .125W TKF TC=0±100	06119	D25 1M OHM
A4R220	0699-1390	1	RESISTOR 9.09K ±1% .125W TKF TC=0±100	06119	D25 9.09K OHM
A4R221	0811-3403	1	RESISTOR 1K ±5% .25W PWN TC=+3400±300	01854	R2702
A4R222	0699-1375	1	RESISTOR 1.96K ±1% .125W TKF TC=0±100	06119	D25 1.96K OHM
A4R223	0699-1375	1	RESISTOR 1.96K ±1% .125W TKF TC=0±100	06119	D25 1.96K OHM
A4R224	0699-1383	1	RESISTOR 4.22K ±1% .125W TKF TC=0±100	06119	D25 4.22K OHM
A4R225	0699-1327	1	RESISTOR 1M ±1% .125W TKF TC=0±100	06119	D25 1M OHM
A4R226	0699-1414	1	RESISTOR 90.9K ±1% .125W TKF TC=0±100	06119	D25 90.9K OHM
A4R229	0699-1319	1	RESISTOR 12.1K ±1% .125W TKF TC=0±100	06119	D25 12.1K OHM
A4R230	0699-1432	1	RESISTOR 511 ±1% .125W TKF TC=0±100	06119	D25 511 OHM
A4R232	0699-1330	1	RESISTOR 100K ±1% .125W TKF TC=0±100	06119	D25 100K OHM
A4R233	0699-1415	1	RESISTOR 100 ±1% .125W TKF TC=0±100	06119	D25 100 OHM
A4R234	0699-1372	1	RESISTOR 1.47K ±1% .125W TKF TC=0±100	06119	D25 1.47K OHM
A4R235	0699-1320	1	RESISTOR 19.6K ±1% .125W TKF TC=0±100	06119	D25 19.6K OHM
A4R236	0699-1425	1	RESISTOR 261 ±1% .125W TKF TC=0±100	06119	D25 261 OHM
A4R237	0699-1391	1	RESISTOR 10K ±1% .125W TKF TC=0±100	06119	D25 10K OHM
A4R239	0699-1415	1	RESISTOR 100 ±1% .125W TKF TC=0±100	06119	D25 100 OHM
A4R240	0699-1415	1	RESISTOR 100 ±1% .125W TKF TC=0±100	06119	D25 100 OHM
A4R241	0699-1415	1	RESISTOR 100 ±1% .125W TKF TC=0±100	06119	D25 100 OHM
A4R242	0699-1415	1	RESISTOR 100 ±1% .125W TKF TC=0±100	06119	D25 100 OHM
A4R245	0699-1425	1	RESISTOR 261 ±1% .125W TKF TC=0±100	06119	D25 261 OHM
A4R246	0699-1377	1	RESISTOR 2.37K ±1% .125W TKF TC=0±100	06119	D25 2.37K OHM
A4R247	0699-1329	1	RESISTOR 6.19K ±1% .125W TKF TC=0±100	06119	D25 6.19K OHM
A4R252	0699-1377	1	RESISTOR 2.37K ±1% .125W TKF TC=0±100	06119	D25 2.37K OHM
A4R253	0699-1425	1	RESISTOR 261 ±1% .125W TKF TC=0±100	06119	D25 261 OHM
A4R259	0699-1356	1	RESISTOR 31.6 ±1% .125W TKF TC=0±100	06119	D25 31.6 OHM
A4R260	0699-1356	1	RESISTOR 31.6 ±1% .125W TKF TC=0±100	06119	D25 31.6 OHM
A4R270	0699-1385	1	RESISTOR 5.11K ±1% .125W TKF TC=0±100	06119	D25 5.11K OHM
A4R271	0699-1391	1	RESISTOR 10K ±1% .125W TKF TC=0±100	06119	D25 10K OHM
A4R272	0699-1391	1	RESISTOR 10K ±1% .125W TKF TC=0±100	06119	D25 10K OHM
A4R273	0699-1385	1	RESISTOR 5.11K ±1% .125W TKF TC=0±100	06119	D25 5.11K OHM
A4R274	0699-1318	1	RESISTOR 1K ±1% .125W TKF TC=0±100	06119	D25 1K OHM
A4R275	0699-1443	1	RESISTOR 147K ±1% .125W TKF TC=0±100	06119	D25 147K OHM
A4R283	0699-1385	1	RESISTOR 5.11K ±1% .125W TKF TC=0±100	06119	D25 5.11K OHM

**Replaceable Parts List for A4 Source Assembly, Part Number 08711-60104 Power Supply (12 of 14)**

Reference Designation	HP Part Number	Qty	Description	Mfr Code	Mfr Part Number
A4R284	0699-1385	1	RESISTOR 5.11K ±1% .125W TKF TC=0±100	06119	D25 5.11K OHM
A4R285	0699-1375	1	RESISTOR 1.96K ±1% .125W TKF TC=0±100	06119	D25 1.96K OHM
A4R286	0698-3622	1	RESISTOR 120 ±5% 2W MO TC=0±200	02499	GS-3
A4R288	0699-1386	1	RESISTOR 5.62K ±1% .125W TKF TC=0±100	06119	D25 5.62K OHM
A4R289	0699-1432	1	RESISTOR 511 ±1% .125W TKF TC=0±100	06119	D25 511 OHM
A4R500	0699-1416	1	RESISTOR 110 ±1% .125W TKF TC=0±100	06119	D25 110 OHM
A4R501	0699-1416	1	RESISTOR 110 ±1% .125W TKF TC=0±100	06119	D25 110 OHM
A4R502	0699-1416	1	RESISTOR 110 ±1% .125W TKF TC=0±100	06119	D25 110 OHM
A4R503	0699-1416	1	RESISTOR 110 ±1% .125W TKF TC=0±100	06119	D25 110 OHM
A4R504	0699-1424	1	RESISTOR 237 ±1% .125W TKF TC=0±100	06119	D25 237 OHM
A4R505	0699-1424	1	RESISTOR 237 ±1% .125W TKF TC=0±100	06119	D25 237 OHM
A4R506	0699-1424	1	RESISTOR 237 ±1% .125W TKF TC=0±100	06119	D25 237 OHM
A4R507	0699-1424	1	RESISTOR 237 ±1% .125W TKF TC=0±100	06119	D25 237 OHM
A4R509	0699-1416	1	RESISTOR 110 ±1% .125W TKF TC=0±100	06119	D25 110 OHM
A4R510	0699-1416	1	RESISTOR 110 ±1% .125W TKF TC=0±100	06119	D25 110 OHM
A4R511	0699-1416	1	RESISTOR 110 ±1% .125W TKF TC=0±100	06119	D25 110 OHM
A4R513	0699-1416	1	RESISTOR 110 ±1% .125W TKF TC=0±100	06119	D25 110 OHM
A4R514	0699-1416	1	RESISTOR 110 ±1% .125W TKF TC=0±100	06119	D25 110 OHM
A4R515	0699-1416	1	RESISTOR 110 ±1% .125W TKF TC=0±100	06119	D25 110 OHM
A4R516	0699-1426	1	RESISTOR 287 ±1% .125W TKF TC=0±100	06119	D25 287 OHM
A4R517	0699-1426	1	RESISTOR 287 ±1% .125W TKF TC=0±100	06119	D25 287 OHM
A4R518	0699-1350	1	RESISTOR 17.8 ±1% .125W TKF TC=0±100	06119	D25 17.8 OHM
A4R519	0699-1385	1	RESISTOR 5.11K ±1% .125W TKF TC=0±100	06119	D25 5.11K OHM
A4R520	0699-1445	1	RESISTOR 215K ±1% .125W TKF TC=0±100	06119	D25 215K OHM
A4R521	0699-1432	1	RESISTOR 511 ±1% .125W TKF TC=0±100	06119	D25 511 OHM
A4R522	0699-1391	1	RESISTOR 10K ±1% .125W TKF TC=0±100	06119	D25 10K OHM
A4R523	0699-1391	1	RESISTOR 10K ±1% .125W TKF TC=0±100	06119	D25 10K OHM
A4R524	0699-1320	1	RESISTOR 19.6K ±1% .125W TKF TC=0±100	06119	D25 19.6K OHM
A4R525	0699-1320	1	RESISTOR 19.6K ±1% .125W TKF TC=0±100	06119	D25 19.6K OHM
A4R526	0699-1318	1	RESISTOR 1K ±1% .125W TKF TC=0±100	06119	D25 1K OHM
A4R527	0699-1320	1	RESISTOR 19.6K ±1% .125W TKF TC=0±100	06119	D25 19.6K OHM
A4R528	0699-1375	1	RESISTOR 1.96K ±1% .125W TKF TC=0±100	06119	D25 1.96K OHM
A4R529	0699-1391	1	RESISTOR 10K ±1% .125W TKF TC=0±100	06119	D25 10K OHM
A4R530	0699-1362	1	RESISTOR 56.2 ±1% .125W TKF TC=0±100	06119	D25 56.2 OHM
A4R531	0699-1318	1	RESISTOR 1K ±1% .125W TKF TC=0±100	06119	D25 1K OHM
A4R532	0699-1386	1	RESISTOR 5.62K ±1% .125W TKF TC=0±100	06119	D25 5.62K OHM
A4R533	0699-1415	1	RESISTOR 100 ±1% .125W TKF TC=0±100	06119	D25 100 OHM
A4R534	0699-1359	1	RESISTOR 42.2 ±1% .125W TKF TC=0±100	06119	D25 42.2 OHM
A4R535	0699-1415	1	RESISTOR 100 ±1% .125W TKF TC=0±100	06119	D25 100 OHM
A4R536	0699-1370	1	RESISTOR 1.21K ±1% .125W TKF TC=0±100	06119	D25 1.21K OHM
A4R537	0699-1369	1	RESISTOR 1.1K ±1% .125W TKF TC=0±100	06119	D25 1.1K OHM
A4R538	0757-0438	1	RESISTOR 5.11K ±1% .125W TF TC=0±100	05524	CMF-55-1
A4R539	0757-0438	1	RESISTOR 5.11K ±1% .125W TF TC=0±100	05524	CMF-55-1
A4R540	0699-1375	1	RESISTOR 1.96K ±1% .125W TKF TC=0±100	06119	D25 1.96K OHM
A4R541	0699-1385	1	RESISTOR 5.11K ±1% .125W TKF TC=0±100	06119	D25 5.11K OHM
A4R542	0699-1378	1	RESISTOR 2.61K ±1% .125W TKF TC=0±100	06119	D25 2.61K OHM
A4R543	0699-1352	1	RESISTOR 21.5 ±1% .125W TKF TC=0±100	06119	D25 21.5 OHM
A4R544	0699-1385	1	RESISTOR 5.11K ±1% .125W TKF TC=0±100	06119	D25 5.11K OHM
A4R545	0699-1385	1	RESISTOR 5.11K ±1% .125W TKF TC=0±100	06119	D25 5.11K OHM
A4R546	0699-1385	1	RESISTOR 5.11K ±1% .125W TKF TC=0±100	06119	D25 5.11K OHM
A4R547	0699-1427	1	RESISTOR 316 ±1% .125W TKF TC=0±100	06119	D25 316 OHM
A4R548	0699-1422	1	RESISTOR 196 ±1% .125W TKF TC=0±100	06119	D25 196 OHM
A4R549	0699-1422	1	RESISTOR 196 ±1% .125W TKF TC=0±100	06119	D25 196 OHM
A4R550	0699-1426	1	RESISTOR 287 ±1% .125W TKF TC=0±100	06119	D25 287 OHM
A4R551	0699-1415	1	RESISTOR 100 ±1% .125W TKF TC=0±100	06119	D25 100 OHM
A4R552	0699-1415	1	RESISTOR 100 ±1% .125W TKF TC=0±100	06119	D25 100 OHM
A4R553	0699-1375	1	RESISTOR 1.96K ±1% .125W TKF TC=0±100	06119	D25 1.96K OHM
A4R554	0699-1375	1	RESISTOR 1.96K ±1% .125W TKF TC=0±100	06119	D25 1.96K OHM
A4R555	0699-1375	1	RESISTOR 1.96K ±1% .125W TKF TC=0±100	06119	D25 1.96K OHM
A4R556	0699-1384	1	RESISTOR 4.64K ±1% .125W TKF TC=0±100	06119	D25 4.64K OHM
A4R557	0699-1388	1	RESISTOR 7.5K ±1% .125W TKF TC=0±100	06119	D25 7.5K OHM
A4R558	0699-1388	1	RESISTOR 7.5K ±1% .125W TKF TC=0±100	06119	D25 7.5K OHM
A4R559	0699-1421	1	RESISTOR 178 ±1% .125W TKF TC=0±100	06119	D25 178 OHM
A4R560	0699-1364	1	RESISTOR 68.1 ±1% .125W TKF TC=0±100	06119	D25 68.1 OHM
A4R561	0699-1415	1	RESISTOR 100 ±1% .125W TKF TC=0±100	06119	D25 100 OHM
A4R562	0699-1375	1	RESISTOR 1.96K ±1% .125W TKF TC=0±100	06119	D25 1.96K OHM
A4R563	0698-3607	1	RESISTOR 18 ±5% 2W MO TC=0±200	02499	GS-3

**Replaceable Parts List for A4 Source Assembly, Part Number 08711-60104 Power Supply (13 of 14)**

Reference Designation	HP Part Number	Qty	Description	Mfr Code	Mfr Part Number
A4R564	0699-1318	1	RESISTOR 1K ±1% .125W TKF TC=0±100	06119	D25 1K OHM
A4R565	0699-1432	1	RESISTOR 511 ±1% .125W TKF TC=0±100	06119	D25 511 OHM
A4R566	0699-1433	1	RESISTOR 562 ±1% .125W TKF TC=0±100	06119	D25 562 OHM
A4R567	0699-1415	1	RESISTOR 100 ±1% .125W TKF TC=0±100	06119	D25 100 OHM
A4R568	0699-1415	1	RESISTOR 100 ±1% .125W TKF TC=0±100	06119	D25 100 OHM
A4R569	0699-1364	1	RESISTOR 68.1 ±1% .125W TKF TC=0±100	06119	D25 68.1 OHM
A4R570	0699-1344	1	RESISTOR 10 ±1% .125W TKF TC=0±100	06119	D25 10 OHM
A4R571	0698-3622	1	RESISTOR 120 ±5% 2W MO TC=0±200	02499	GS-3
A4RT1	0839-0011	1	THERMISTOR DISC 100-OHM TC=-3.8-DEG	05098	21E23
A4TP1	1251-0600	1	CONNECTOR-SGL CONT PIN 1.14-MM-BSC-SZ SQ	03418	16-06-0034
A4TP2	1251-0600	1	CONNECTOR-SGL CONT PIN 1.14-MM-BSC-SZ SQ	03418	16-06-0034
A4TP3	1251-0600	1	CONNECTOR-SGL CONT PIN 1.14-MM-BSC-SZ SQ	03418	16-06-0034
A4TP4	1251-0600	1	CONNECTOR-SGL CONT PIN 1.14-MM-BSC-SZ SQ	03418	16-06-0034
A4TP5	1251-0600	1	CONNECTOR-SGL CONT PIN 1.14-MM-BSC-SZ SQ	03418	16-06-0034
A4TP6	1251-0600	1	CONNECTOR-SGL CONT PIN 1.14-MM-BSC-SZ SQ	03418	16-06-0034
A4TP7	1251-0600	1	CONNECTOR-SGL CONT PIN 1.14-MM-BSC-SZ SQ	03418	16-06-0034
A4TP8	1251-0600	1	CONNECTOR-SGL CONT PIN 1.14-MM-BSC-SZ SQ	03418	16-06-0034
A4TP9	1251-0600	1	CONNECTOR-SGL CONT PIN 1.14-MM-BSC-SZ SQ	03418	16-06-0034
A4TP10	1251-0600	1	CONNECTOR-SGL CONT PIN 1.14-MM-BSC-SZ SQ	03418	16-06-0034
A4TP11	1251-0600	1	CONNECTOR-SGL CONT PIN 1.14-MM-BSC-SZ SQ	03418	16-06-0034
A4TP12	1251-0600	1	CONNECTOR-SGL CONT PIN 1.14-MM-BSC-SZ SQ	03418	16-06-0034
A4TP13	1251-0600	1	CONNECTOR-SGL CONT PIN 1.14-MM-BSC-SZ SQ	03418	16-06-0034
A4TP14	1251-0600	1	CONNECTOR-SGL CONT PIN 1.14-MM-BSC-SZ SQ	03418	16-06-0034
A4TP15	1251-0600	1	CONNECTOR-SGL CONT PIN 1.14-MM-BSC-SZ SQ	03418	16-06-0034
A4TP16	1251-0600	1	CONNECTOR-SGL CONT PIN 1.14-MM-BSC-SZ SQ	03418	16-06-0034
A4TP17	1251-0600	1	CONNECTOR-SGL CONT PIN 1.14-MM-BSC-SZ SQ	03418	16-06-0034
A4TP18	1251-0600	1	CONNECTOR-SGL CONT PIN 1.14-MM-BSC-SZ SQ	03418	16-06-0034
A4TP19	1251-0600	1	CONNECTOR-SGL CONT PIN 1.14-MM-BSC-SZ SQ	03418	16-06-0034
A4TP20	1251-0600	1	CONNECTOR-SGL CONT PIN 1.14-MM-BSC-SZ SQ	03418	16-06-0034
A4TP21	1251-0600	1	CONNECTOR-SGL CONT PIN 1.14-MM-BSC-SZ SQ	03418	16-06-0034
A4TP22	1251-0600	1	CONNECTOR-SGL CONT PIN 1.14-MM-BSC-SZ SQ	03418	16-06-0034
A4TP23	1251-0600	1	CONNECTOR-SGL CONT PIN 1.14-MM-BSC-SZ SQ	03418	16-06-0034
A4U1	1826-1912	1	IC OP AMP H-SLEW-RATE DUAL 8 PIN		
A4U2	1826-2168	1	IC RF/IF AMPL HIGH-GAIN SINGLE 4 PIN	03291	MSA-0486
A4U3	1826-2175	1	IC RF/IF AMPL SINGLE 4 PIN V-WAVE-PILL	03291	MSA-0386
A4U4	1826-2175	1	IC RF/IF AMPL SINGLE 4 PIN V-WAVE-PILL	03291	MSA-0386
A4U5	0955-0588	1	U-WAVE MIXER 3.8 GHZ MAX	02686	WJ-M2G-8
A4U6	1820-5605	1	IC GATE ECL/10KH NOR QUAD 2-INP		
A4U7	1820-5629	1	IC FF ECL/10KH D-M/S POS-EDGE-TRIG		
A4U8	1813-0751	1	IC MISC 3 PIN TO-8	03291	V089-4024
A4U9	1826-1810	1	IC OP AMP LOW-BIAS-H-IMPD SINGLE 8 PIN		
A4U10	1820-5629	1	IC FF ECL/10KH D-M/S POS-EDGE-TRIG		
A4U11	1826-1328	1	IC OP AMP LOW-NOISE DUAL 8 PIN DIP-P		
A4U12	1826-1572	1	IC COMPARATOR PRON DUAL 8 PIN PLSTC-SOIC		
A4U13	1820-7311	1	IC PRESCR ECL	02037	MC12022BDR2
A4U14	1826-2224	1	IC MISC LOW-NOISE 4 PIN V-WAVE-PILL	03291	IFD-50010
A4U15	1826-1844	1	IC OP AMP HS 8 PIN DIP-C		
A4U16	1826-1365	1	IC TEMP XDCR 3 PIN TO-92		
A4U17	1826-1912	1	IC OP AMP H-SLEW-RATE DUAL 8 PIN		
A4U18	1826-2168	1	IC RF/IF AMPL HIGH-GAIN SINGLE 4 PIN	03291	MSA-0486
A4U19	1826-2175	1	IC RF/IF AMPL SINGLE 4 PIN V-WAVE-PILL	03291	MSA-0386
A4U20	1826-2175	1	IC RF/IF AMPL SINGLE 4 PIN V-WAVE-PILL	03291	MSA-0386
A4U21	0955-0588	1	U-WAVE MIXER 3.8 GHZ MAX	02686	WJ-M2G-8
A4U22	1826-0393	1	IC V RGLTR-ADJ-POS 1.2/37V 3-TO-220 PKG		
A4U23	1813-0825	1	U-WAVE 2.4 GHZ MAX	03291	VO90-3177
A4U24	1820-6957	1	IC PRESCR ECL	00039	UPB585G
A4U25	1820-7311	1	IC PRESCR ECL	02037	MC12022BDR2
A4U26	1820-5951	1	IC GATE CMOS/AC AND QUAD 2-INP		
A4U27	08711-80011	1			
A4U28	1820-2096	1	IC CNTR TTL/LS BIN ASYNCHRO		
A4U29	1820-4291	1	IC GATE TTL/ALS NAND QUAD 2-INP		
A4U30	1820-4275	1	IC FF TTL/ALS D-TYPE POS-EDGE-TRIG		
A4U31	1820-6158	1	IC CNTR TTL/F BIN SYNCHRO POS-EDGE-TRIG		
A4U32	1826-1572	1	IC COMPARATOR PRON DUAL 8 PIN PLSTC-SOIC		
A4U33	1826-1328	1	IC OP AMP LOW-NOISE DUAL 8 PIN DIP-P		
A4U34	1826-1328	1	IC OP AMP LOW-NOISE DUAL 8 PIN DIP-P		
A4U35	1826-1328	1	IC OP AMP LOW-NOISE DUAL 8 PIN DIP-P		

**Replaceable Parts List for A4 Source Assembly, Part Number 08711-60104 Power Supply (14 of 14)**

Reference Designation	HP Part Number	Qty	Description	Mfr Code	Mfr Part Number
A4U36	1826-1328	1	IC OP AMP LOW-NOISE DUAL 8 PIN DIP-P		
A4U37	1826-1328	1	IC OP AMP LOW-NOISE DUAL 8 PIN DIP-P		
A4U38	1826-1328	1	IC OP AMP LOW-NOISE DUAL 8 PIN DIP-P		
A4U39	1826-1912	1	IC OP AMP H-SLEW-RATE DUAL 8 PIN		
A4U40	1826-2146	1	IC OP AMP PRCN SINGLE 8 PIN PLSTC-SOIC		
A4U41	1826-1912	1	IC OP AMP H-SLEW-RATE DUAL 8 PIN		
A4U42	1813-0825	1	U-WAVE 2.4 GHZ MAX	03291	VO90-3177
A4U43	1826-1912	1	IC OP AMP H-SLEW-RATE DUAL 8 PIN		
A4U44	1826-2144	1	IC OP AMP LOW-NOISE SINGLE 8 PIN		
A4U45	1826-1572	1	IC COMPARATOR PRCN DUAL 8 PIN PLSTC-SOIC		
A4U46	1820-5937	1	IC FF CMOS/AC D-TYPE POS-EDGE-TRIG		
A4U47	1820-7218	1	IC CNTR CMOS/AC BIN SYNCHRO		
A4U48	1820-5938	1	IC GATE CMOS/ACT NAND QUAD 2-INP		
A4U49	1820-6957	1	IC PRESCR ECL	00039	UPB585G
A4U50	1820-7311	1	IC PRESCR ECL	02037	MC12022BDR2
A4U51	1826-0221	1	IC V RGLTR-FXD-NEG -11.5/-12.5V TO-220	00039	
A4U52	1826-0393	1	IC V RGLTR-ADJ-POS 1.2/37V 3-TO-220 PKG		
A4U53	1820-4275	1	IC FF TTL/ALS D-TYPE POS-EDGE-TRIG		
A4U54	1820-6158	1	IC CNTR TTL/F BIN SYNCHRO POS-EDGE-TRIG		
A4U55	1820-4291	1	IC GATE TTL/ALS NAND QUAD 2-INP		
A4U56	1820-4966	1	IC FF CMOS/HC D-TYPE POS-EDGE-TRIG		
A4U57	1820-4692	1	IC GATE CMOS/HC NAND QUAD 2-INP		
A4U58	1820-4966	1	IC FF CMOS/HC D-TYPE POS-EDGE-TRIG		
A4U59	1826-1021	1	ANALOG MULTIPLEXER CHNL 16 -DIP-P		
A4U60	1826-2239	1	D/A 12-BIT 16-PLASTIC CMOS		
A4U61	1826-1646	1	IC V RGLTR-FXD-POS 4.975/5.025V TO-92		
A4U62	1826-1912	1	IC OP AMP H-SLEW-RATE DUAL 8 PIN		
A4U63	1820-5732	1	IC LCH CMOS/HC D-TYPE OCTL		
A4U64	1820-5808	1	IC FF CMOS/HC D-TYPE POS-EDGE-TRIG COM		
A4U65	1820-5808	1	IC FF CMOS/HC D-TYPE POS-EDGE-TRIG COM		
A4U66	1820-4215	1	IC DCDR CMOS/HC BIN 3-TO-8-LINE		
A4U67	1820-4291	1	IC GATE TTL/ALS NAND QUAD 2-INP		
A4U68	1826-2496	1	IC RF/IF AMPL GP 4 PIN V-WAVE-PILL	03291	MGA-64135
A4VR1	1902-0029	1	DIODE-ZNR 12V 5% PD=1W IR=SUA	02688	
A4VR2	1902-0955	1	DIODE-ZNR 7.5V 5% DO-35 PD=.4W TC=+.062	02688	
A4VR3	1902-0953	1	DIODE-ZNR 6.2V 5% DO-35 PD=.4W TC=+.053	02688	1N753AD035
A4VR4	1902-0953	1	DIODE-ZNR 6.2V 5% DO-35 PD=.4W TC=+.053	02688	1N753AD035
A4VR5	1902-0950	1	DIODE-ZNR 4.7V 5% DO-35 PD=.4W TC=+.025		
A4VR6	1902-0176	1	DIODE-ZNR 47V 5% PD=1W IR=SUA	02688	
A4VR7	1902-0958	1	DIODE-ZNR 10V 5% DO-35 PD=.4W TC=+.075%	02688	
A4W1	1258-0141	1	JUMPER-REMOVABLE FOR 0.025 IN SQ PINS	02946	65474-004
A4W2	1258-0141	1	JUMPER-REMOVABLE FOR 0.025 IN SQ PINS	02946	65474-004
A4W3	1258-0141	1	JUMPER-REMOVABLE FOR 0.025 IN SQ PINS	02946	65474-004

*A4 Source (1 of 2)*

Test Point	Description Schematic Block	HP 8711 Setup	Important Parameters	Signal Characteristics
TP1	+47 (block K)	[PRESET]	VOLTAGE	+47V ± 7% DC
TP2	FN/4 (block A)	[PRESET] [FREQ] [CW] [300 kHz]  [CW] [650 MHz]  [CW] [1.3 MHz]	FREQUENCY	SQUARE WAVE (ECL) (9.142 MHz)  SQUARE WAVE (ECL) (11.680 MHz)  SQUARE WAVE (ECL) (14.219 MHz)
TP3	PHASE ERROR (block A)	[PRESET]	VOLTAGE	NOMINAL 0VDC
TP4	INTEGRATOR (block A)	[PRESET] [FREQ] [CW] [300 kHz]  [CW] [650 MHz]  [CW] [1.3 MHz]	VOLTAGE	5.6 VDC  2.4 VDC  -1.4 VDC
TP5	FOUT/256 (block B)	[PRESET] [FREQ] [CW] [300 kHz]  [CW] [650 MHz]  [CW] [1.3 MHz]	FREQUENCY	ECL (9.14 MHz)  ECL (11.68 MHz)  ECL (14.22 MHz)
TP6	DETECTED POWER (block F)	[PRESET]	VOLTAGE	0.6 VDC
TP7	+5.2 (block K)	[PRESET]	VOLTAGE	+5.2 ± 0.4 VDC
TP8	+12.8 (block K)	[PRESET]	VOLTAGE	+12.8 ± 0.6 VDC
TP9	9 MHz (block E)	[PRESET]	FREQUENCY	9 MHz TTL (SQUARE WAVE)
TP10	6.944 kHz PULSE (block E)	[PRESET]	FREQUENCY	6.944 kHz PULSES
TP11	REF FREQ (block E)	[PRESET]	FREQUENCY	1 MHz SQUARE WAVE (TTL)
TP12	FOUT/N (block E)	[PRESET]	FREQUENCY	1 MHz TTL
TP13	PHASE ERROR (block E)	[PRESET]	VOLTAGE	NOMINAL 0 VDC
TP14	ALC LOG (block J)	[PRESET]	VOLTAGE	TYPICALLY -1.2 VDC
TP15	ALC INTEGRATOR (block J)	[PRESET]	VOLTAGE	-2.5 VDC ABUS
TP16	ALC PIN (block J)	[PRESET]	VOLTAGE	+2.5 TO +10.0 VDC
TP17	PHASE ERROR (block D)	[PRESET]	VOLTAGE	APPROX. 0V DC
TP18	FOUT/N (block D)	[PRESET]	FREQUENCY	1 MHz TTL
TP19	-12.0 (block K)	[PRESET]	VOLTAGE	-12.0 ± 0.5 VDC
TP20	+5.26 (block K)	[PRESET]	VOLTAGE	+5.2 ± 0.4 VDC
TP21	+12.8 (block K)	[PRESET]	VOLTAGE	+12.8 ± 0.6 VDC
TP22	10 MHz REF (block M)	[PRESET]	FREQUENCY	10 MHz TTL (SQUARE WAVE)

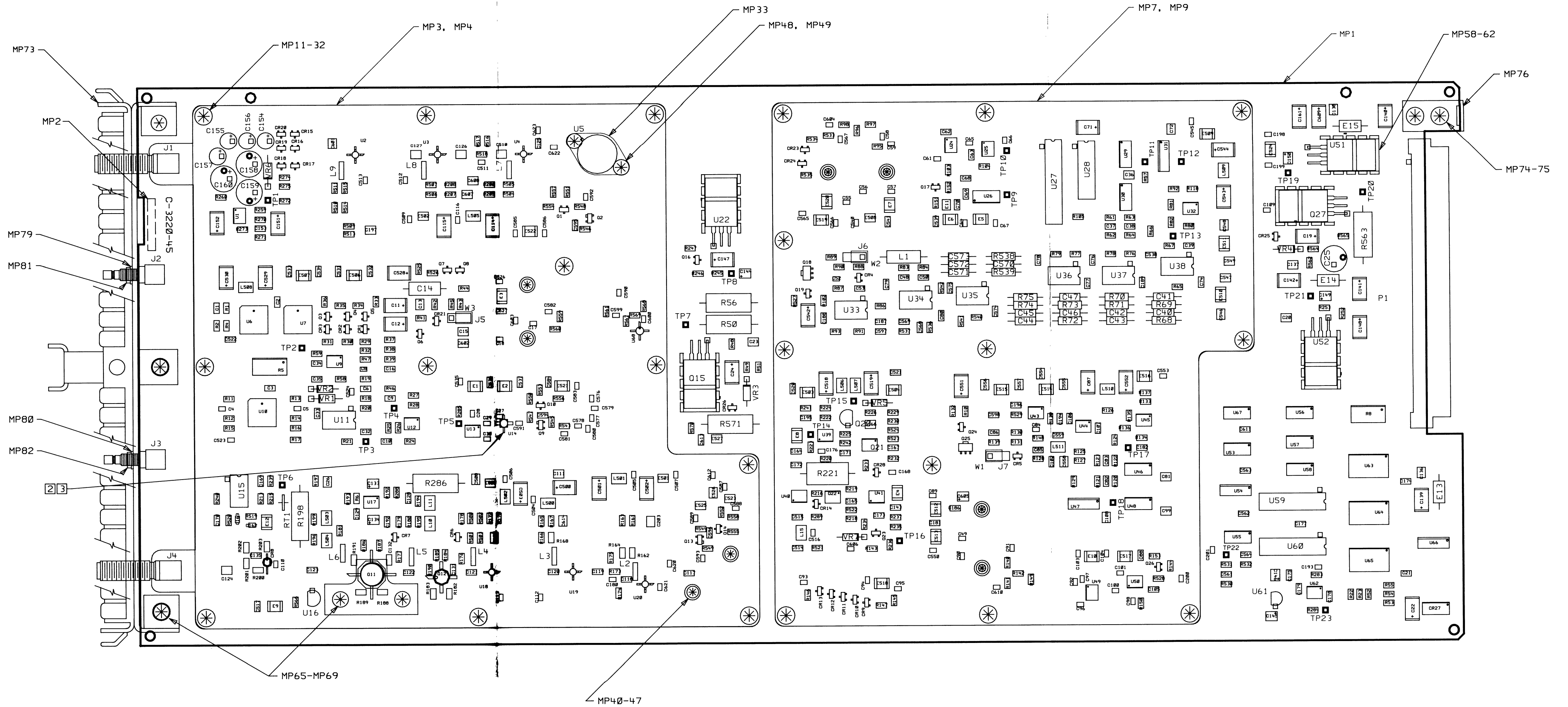


*A4 Source (2 of 2)*

Test Point	Description Schematic Block	HP 8711 Setup	Important Parameters	Signal Characteristics
TP23	ALC REF (block L)	[PRESET] [SYSTEM OPTIONS] [SERVICE] [SERVICE UTILITIES] [MORE SVC UTILITIES] [ALC DAC], USE FRONT PANEL KNOB TO CHANGE THE DAC VALUE	VOLTAGE	0 TO +5 VDC
J1	RECEIVER LO OUTPUT (block H)	[PRESET] [FREQ] [CW] [300 kHz]  [CW] [10 MHz]	FREQUENCY	327.76 kHz SINEWAVE 3.3 Vpp  10.028 MHz SINEWAVE, 4.7 Vpp
J4	SOURCE RF OUTPUT (block F)	[PRESET] [FREQ] [CW] [300 kHz]  [CW] [10 MHz]	FREQUENCY	IN GENERAL, FREQUENCY SHOULD BE SOURCE FREQUENCY $\pm 27.778$ kHz



TOP SIDE



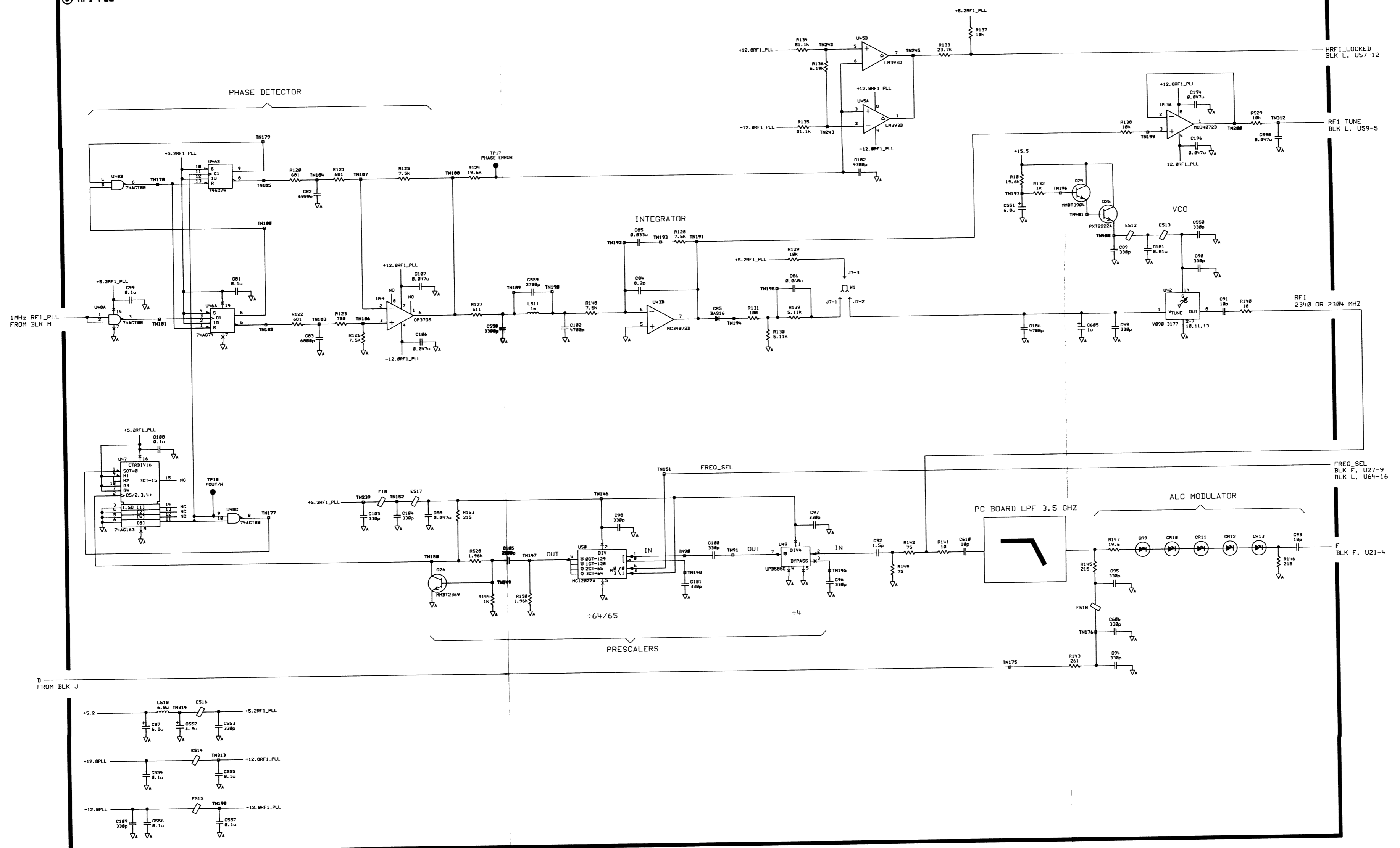
NOTES: UNLESS OTHERWISE SPECIFIED

1. USE RAW BOARD PART NUMBER 08711-20104
- 2 SOLDER FLOW ON U14, PIN 3, MUST BE CONTINUOUS FROM BODY TO LEAD TERMINATION
- 3 MASK AREAS INDICATED BY CROSS HATCHING OR REFERENCE DESIGNATOR BEFORE FLOW SOLDER PROCESS, BOTTOM SIDE
4. THE FOLLOWING ARE PARTS THAT INTENTIONALLY VIOLATE PART TO PART SPACING RULES:  
C28 TO U13; C27 TO U14; C591 TO U14; R203 TO CR8; R200 TO CR8; C135 TO R201 & R202;  
C97 TO U49; C17 TO U8; C594 TO R545; C90 TO U42; C595 TO R546; C596 TO Q14 & R544;

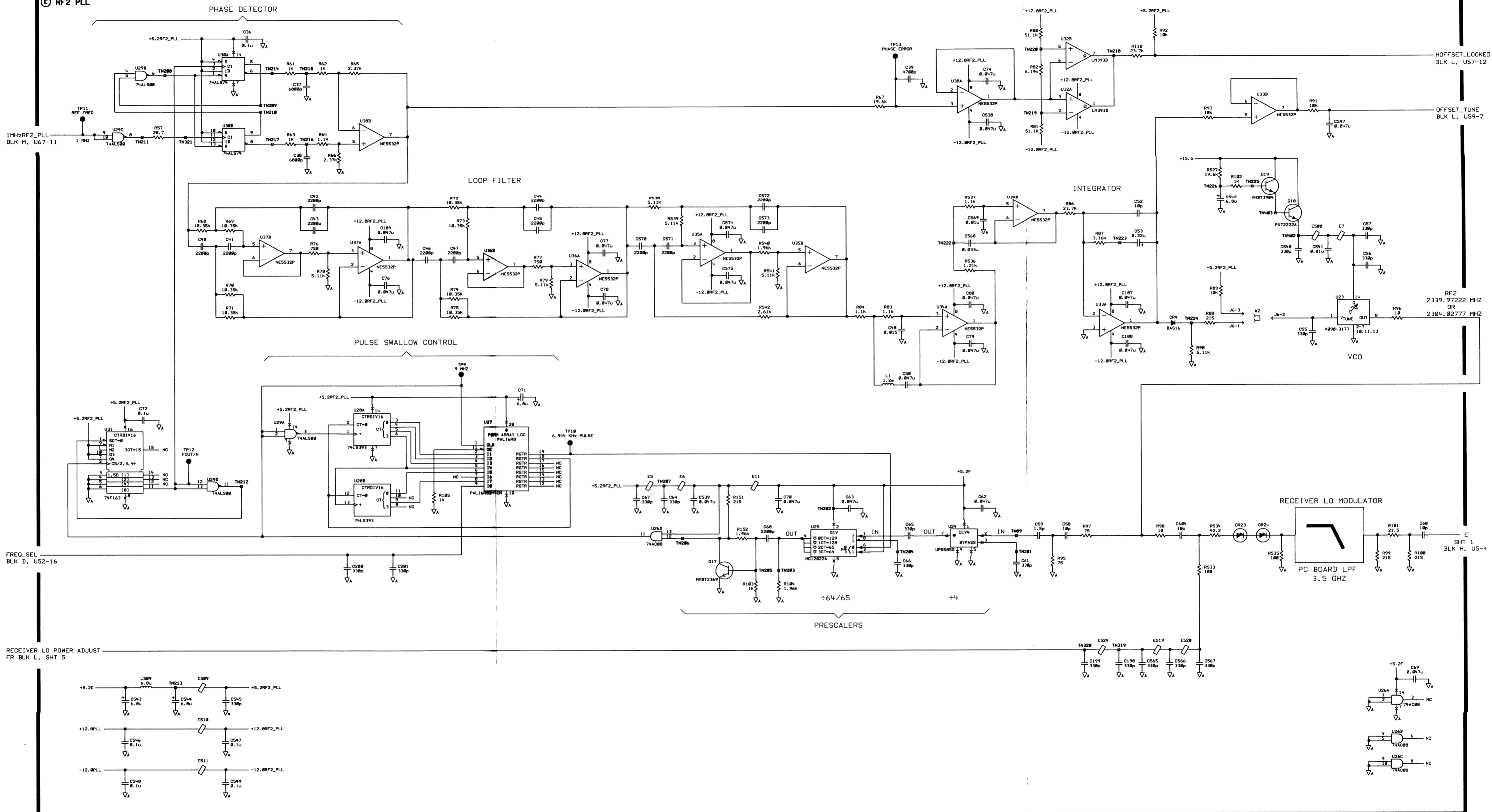
5. THE FOLLOWING ARE PARTS THAT ARE INTENTIONALLY PLACED ON TOP OF A VIA:  
C27, C594, C595, C596, Q2, Q9, Q11, Q12, Q13, R99, R100, U14
6. THE FOLLOWING PARTS ARE LOADED AT A LATER ASSEMBLY:  
MP3-32; MP65-67; MP73; MP76-78
7. MAXIMUM LEAD LENGTH ON U5, U8, AND U21 TO BE .060 INCHES



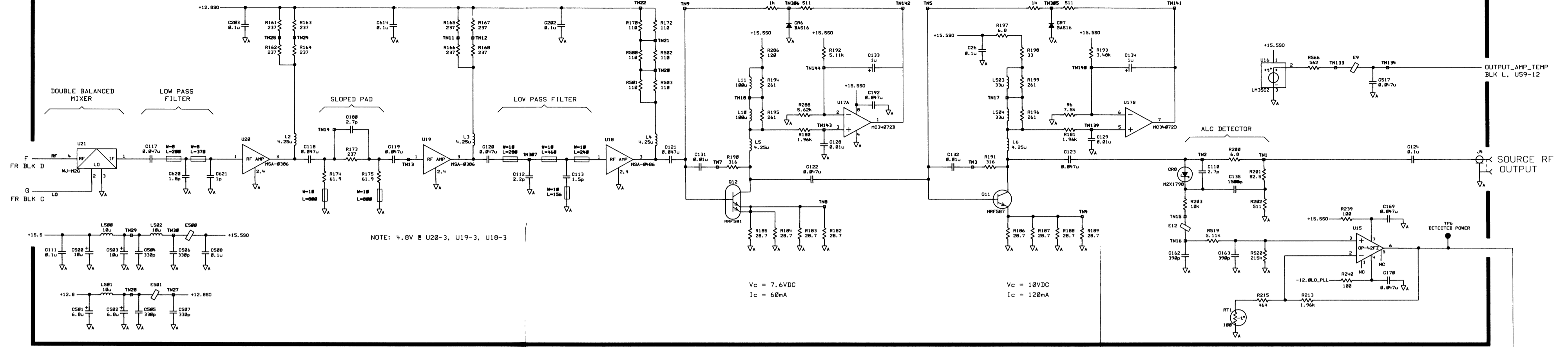
RF1 PLL



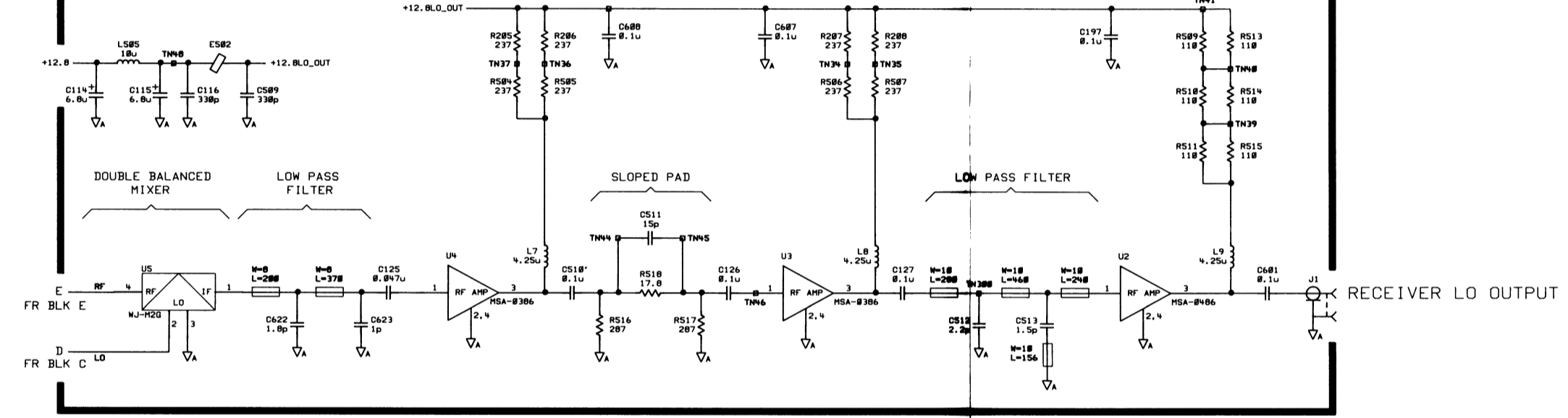
RF2 PLL



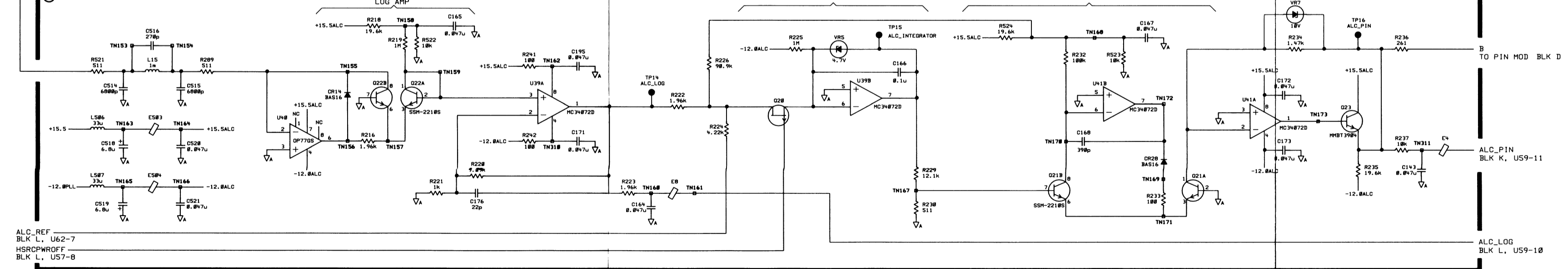
③ SOURCE RF OUTPUT



④ RECEIVER LO OUTPUT



⑤ ALC







# **Schematic Package for 08711 – 60105 A5 Receiver**

This section contains the replaceable parts list, component location diagram, and circuit schematic for the A5 source assembly, HP part number 08711-60105. To help with troubleshooting, there is also a list which shows the major test points and provides information on the expected measurement at each test point.

**Copyright ©1992 Hewlett-Packard Company  
Printed October 23, 1992  
Printed in USA**



**Replaceable Parts List for A5 Receiver Assembly, Part Number 08711-60105 (1 of 13)**

Reference Designation	HP Part Number	Qty	Description	Mfr Code	Mfr Part Number
A5	08711-60105	1	BD AY-RCVR 500HM	28480	08711-60105
	08711-65105	1	SURFACE MNT ASSY	28480	08711-65105
ASC1	0160-6734	1	CAP-FXD 0.047uF ±10% 50 V CER X7R	09939	GRM42-6X7R473K050C
ASC2	0160-6734	1	CAP-FXD 0.047uF ±10% 50 V CER X7R	09939	GRM42-6X7R473K050C
ASC3	0160-6728	1	CAP-FXD 0.022uF ±10% 50 V CER X7R	09939	GRM42-6X7R223K050C
ASC4	0160-6734	1	CAP-FXD 0.047uF ±10% 50 V CER X7R	09939	GRM42-6X7R473K050C
ASC5	0160-6734	1	CAP-FXD 0.047uF ±10% 50 V CER X7R	09939	GRM42-6X7R473K050C
ASC6	0160-6734	1	CAP-FXD 0.047uF ±10% 50 V CER X7R	09939	GRM42-6X7R473K050C
ASC7	0160-6734	1	CAP-FXD 0.047uF ±10% 50 V CER X7R	09939	GRM42-6X7R473K050C
ASC8	0160-6734	1	CAP-FXD 0.047uF ±10% 50 V CER X7R	09939	GRM42-6X7R473K050C
ASC9	0160-6734	1	CAP-FXD 0.047uF ±10% 50 V CER X7R	09939	GRM42-6X7R473K050C
ASC10	0180-4287	1	CAP-FXD 10uF ±20% 35 V TA		
ASC11	0180-4287	1	CAP-FXD 10uF ±20% 35 V TA		
ASC12	0180-4287	1	CAP-FXD 10uF ±20% 35 V TA		
ASC13	0180-4287	1	CAP-FXD 10uF ±20% 35 V TA		
ASC14	0180-4287	1	CAP-FXD 10uF ±20% 35 V TA		
ASC15	0160-6734	1	CAP-FXD 0.047uF ±10% 50 V CER X7R	09939	GRM42-6X7R473K050C
ASC16	0160-6096	1	CAP-FXD 470pF ±5% 50 V CER C0G	09939	GRM42-602C0G471J050C
ASC17	0160-4951	1	CAP-FXD 0.033uF ±5% 50 V CER C0G	09939	RPE114-130C0G333J50V
ASC18	0160-6222	1	CAP-FXD 0.1uF ±10% 50 V CER X7R	09939	GRM42-2X7R104K050V
ASC19	0160-6728	1	CAP-FXD 0.022uF ±10% 50 V CER X7R	09939	GRM42-6X7R223K050C
ASC20	0160-4951	1	CAP-FXD 0.033uF ±5% 50 V CER C0G	09939	RPE114-130C0G333J50V
ASC21	0160-6096	1	CAP-FXD 470pF ±5% 50 V CER C0G	09939	GRM42-602C0G471J050C
ASC22	0160-6728	1	CAP-FXD 0.022uF ±10% 50 V CER X7R	09939	GRM42-6X7R223K050C
ASC23	0160-6734	1	CAP-FXD 0.047uF ±10% 50 V CER X7R	09939	GRM42-6X7R473K050C
ASC24	0160-6734	1	CAP-FXD 0.047uF ±10% 50 V CER X7R	09939	GRM42-6X7R473K050C
ASC25	0180-4287	1	CAP-FXD 10uF ±20% 35 V TA		
ASC26	0160-6734	1	CAP-FXD 0.047uF ±10% 50 V CER X7R	09939	GRM42-6X7R473K050C
ASC27	0160-6734	1	CAP-FXD 0.047uF ±10% 50 V CER X7R	09939	GRM42-6X7R473K050C
ASC28	0160-6734	1	CAP-FXD 0.047uF ±10% 50 V CER X7R	09939	GRM42-6X7R473K050C
ASC29	0160-6734	1	CAP-FXD 0.047uF ±10% 50 V CER X7R	09939	GRM42-6X7R473K050C
ASC30	0160-6222	1	CAP-FXD 0.1uF ±10% 50 V CER X7R	09939	GRM42-2X7R104K050V
ASC31	0160-6734	1	CAP-FXD 0.047uF ±10% 50 V CER X7R	09939	GRM42-6X7R473K050C
ASC32	0180-4287	1	CAP-FXD 10uF ±20% 35 V TA		
ASC33	0180-4287	1	CAP-FXD 10uF ±20% 35 V TA		
ASC34	0160-6734	1	CAP-FXD 0.047uF ±10% 50 V CER X7R	09939	GRM42-6X7R473K050C
ASC35	0160-6734	1	CAP-FXD 0.047uF ±10% 50 V CER X7R	09939	GRM42-6X7R473K050C
ASC36	0160-5952	1	CAP-FXD 330pF ±5% 50 V CER C0G	09939	GRM40-001C0G331J050C
ASC37	0160-6728	1	CAP-FXD 0.022uF ±10% 50 V CER X7R	09939	GRM42-6X7R223K050C
ASC38	0160-4951	1	CAP-FXD 0.033uF ±5% 50 V CER C0G	09939	RPE114-130C0G333J50V
ASC39	0160-6096	1	CAP-FXD 470pF ±5% 50 V CER C0G	09939	GRM42-602C0G471J050C
ASC40	0160-6728	1	CAP-FXD 0.022uF ±10% 50 V CER X7R	09939	GRM42-6X7R223K050C
ASC41	0160-6734	1	CAP-FXD 0.047uF ±10% 50 V CER X7R	09939	GRM42-6X7R473K050C
ASC42	0160-6734	1	CAP-FXD 0.047uF ±10% 50 V CER X7R	09939	GRM42-6X7R473K050C
ASC43	0160-7333	1	CAP-FXD 0.068uF ±10% 50 V CER X7R		
ASC44	0160-6734	1	CAP-FXD 0.047uF ±10% 50 V CER X7R	09939	GRM42-6X7R473K050C
ASC45	0160-5973	1	CAP-FXD 6.8pF ±7.35% 50 V CER C0G	09939	GRM40-001C0G6R8D050C
ASC46	0160-5973	1	CAP-FXD 6.8pF ±7.35% 50 V CER C0G	09939	GRM40-001C0G6R8D050C
ASC47	0160-6734	1	CAP-FXD 0.047uF ±10% 50 V CER X7R	09939	GRM42-6X7R473K050C
ASC48	0160-6734	1	CAP-FXD 0.047uF ±10% 50 V CER X7R	09939	GRM42-6X7R473K050C
ASC49	0160-6728	1	CAP-FXD 0.022uF ±10% 50 V CER X7R	09939	GRM42-6X7R223K050C
ASC50	0160-6222	1	CAP-FXD 0.1uF ±10% 50 V CER X7R	09939	GRM42-2X7R104K050V
ASC51	0160-6734	1	CAP-FXD 0.047uF ±10% 50 V CER X7R	09939	GRM42-6X7R473K050C
ASC52	0180-4287	1	CAP-FXD 10uF ±20% 35 V TA		
ASC53	0180-4287	1	CAP-FXD 10uF ±20% 35 V TA		
ASC54	0160-6734	1	CAP-FXD 0.047uF ±10% 50 V CER X7R	09939	GRM42-6X7R473K050C
ASC55	0160-6728	1	CAP-FXD 0.022uF ±10% 50 V CER X7R	09939	GRM42-6X7R223K050C
ASC57	0160-6734	1	CAP-FXD 0.047uF ±10% 50 V CER X7R	09939	GRM42-6X7R473K050C
ASC58	0160-6734	1	CAP-FXD 0.047uF ±10% 50 V CER X7R	09939	GRM42-6X7R473K050C
ASC59	0160-6734	1	CAP-FXD 0.047uF ±10% 50 V CER X7R	09939	GRM42-6X7R473K050C
ASC60	0160-6734	1	CAP-FXD 0.047uF ±10% 50 V CER X7R	09939	GRM42-6X7R473K050C
ASC61	0160-6734	1	CAP-FXD 0.047uF ±10% 50 V CER X7R	09939	GRM42-6X7R473K050C
ASC62	0160-5973	1	CAP-FXD 6.8pF ±7.35% 50 V CER C0G	09939	GRM40-001C0G6R8D050C
ASC63	0160-5973	1	CAP-FXD 6.8pF ±7.35% 50 V CER C0G	09939	GRM40-001C0G6R8D050C
ASC64	0160-6734	1	CAP-FXD 0.047uF ±10% 50 V CER X7R	09939	GRM42-6X7R473K050C
ASC65	0160-6734	1	CAP-FXD 0.047uF ±10% 50 V CER X7R	09939	GRM42-6X7R473K050C
ASC66	0160-5952	1	CAP-FXD 330pF ±5% 50 V CER C0G	09939	GRM40-001C0G331J050C

**Replaceable Parts List for A5 Receiver Assembly, Part Number 08711-60105 (2 of 13)**

Reference Designation	HP Part Number	Qty	Description	Mfr Code	Mfr Part Number
A5C67	0160-5952	1	CAP-FXD 330pF ±5% 50 V CER C0G	09939	GRM40-001C0G331J050C
A5C68	0160-5952	1	CAP-FXD 330pF ±5% 50 V CER C0G	09939	GRM40-001C0G331J050C
A5C69	0160-5952	1	CAP-FXD 330pF ±5% 50 V CER C0G	09939	GRM40-001C0G331J050C
A5C70	0160-5952	1	CAP-FXD 330pF ±5% 50 V CER C0G	09939	GRM40-001C0G331J050C
A5C71	0160-5952	1	CAP-FXD 330pF ±5% 50 V CER C0G	09939	GRM40-001C0G331J050C
A5C72	0160-5952	1	CAP-FXD 330pF ±5% 50 V CER C0G	09939	GRM40-001C0G331J050C
A5C73	0160-5952	1	CAP-FXD 330pF ±5% 50 V CER C0G	09939	GRM40-001C0G331J050C
A5C74	0160-5952	1	CAP-FXD 330pF ±5% 50 V CER C0G	09939	GRM40-001C0G331J050C
A5C75	0160-5952	1	CAP-FXD 330pF ±5% 50 V CER C0G	09939	GRM40-001C0G331J050C
A5C76	0160-5952	1	CAP-FXD 330pF ±5% 50 V CER C0G	09939	GRM40-001C0G331J050C
A5C77	0160-5952	1	CAP-FXD 330pF ±5% 50 V CER C0G	09939	GRM40-001C0G331J050C
A5C78	0160-6734	1	CAP-FXD 0.047uF ±10% 50 V CER X7R	09939	GRM42-6X7R473K050C
A5C79	0160-5952	1	CAP-FXD 330pF ±5% 50 V CER C0G	09939	GRM40-001C0G331J050C
A5C80	0160-6734	1	CAP-FXD 0.047uF ±10% 50 V CER X7R	09939	GRM42-6X7R473K050C
A5C81	0160-6734	1	CAP-FXD 0.047uF ±10% 50 V CER X7R	09939	GRM42-6X7R473K050C
A5C82	0160-6728	1	CAP-FXD 0.022uF ±10% 50 V CER X7R	09939	GRM42-6X7R223K050C
A5C83	0160-6728	1	CAP-FXD 0.022uF ±10% 50 V CER X7R	09939	GRM42-6X7R223K050C
A5C84	0180-4287	1	CAP-FXD 10uF ±20% 35 V TA		
A5C85	0160-6222	1	CAP-FXD 0.1uF ±10% 50 V CER X7R	09939	GRM42-2X7R104K050V
A5C86	0160-6222	1	CAP-FXD 0.1uF ±10% 50 V CER X7R	09939	GRM42-2X7R104K050V
A5C87	0160-6734	1	CAP-FXD 0.047uF ±10% 50 V CER X7R	09939	GRM42-6X7R473K050C
A5C88	0160-6734	1	CAP-FXD 0.047uF ±10% 50 V CER X7R	09939	GRM42-6X7R473K050C
A5C89	0180-4287	1	CAP-FXD 10uF ±20% 35 V TA		
A5C90	0180-4287	1	CAP-FXD 10uF ±20% 35 V TA		
A5C91	0160-6222	1	CAP-FXD 0.1uF ±10% 50 V CER X7R	09939	GRM42-2X7R104K050V
A5C92	0160-6222	1	CAP-FXD 0.1uF ±10% 50 V CER X7R	09939	GRM42-2X7R104K050V
A5C93	0160-5952	1	CAP-FXD 330pF ±5% 50 V CER C0G	09939	GRM40-001C0G331J050C
A5C94	0160-6734	1	CAP-FXD 0.047uF ±10% 50 V CER X7R	09939	GRM42-6X7R473K050C
A5C95	0160-5961	1	CAP-FXD 22pF ±5% 50 V CER C0G	09939	GRM40-001C0G220J050C
A5C96	0160-6734	1	CAP-FXD 0.047uF ±10% 50 V CER X7R	09939	GRM42-6X7R473K050C
A5C97	0160-6734	1	CAP-FXD 0.047uF ±10% 50 V CER X7R	09939	GRM42-6X7R473K050C
A5C98	0160-6728	1	CAP-FXD 0.022uF ±10% 50 V CER X7R	09939	GRM42-6X7R223K050C
A5C99	0160-6728	1	CAP-FXD 0.022uF ±10% 50 V CER X7R	09939	GRM42-6X7R223K050C
A5C100	0180-4287	1	CAP-FXD 10uF ±20% 35 V TA		
A5C101	0160-6734	1	CAP-FXD 0.047uF ±10% 50 V CER X7R	09939	GRM42-6X7R473K050C
A5C102	0160-6222	1	CAP-FXD 0.1uF ±10% 50 V CER X7R	09939	GRM42-2X7R104K050V
A5C103	0160-6222	1	CAP-FXD 0.1uF ±10% 50 V CER X7R	09939	GRM42-2X7R104K050V
A5C104	0160-6734	1	CAP-FXD 0.047uF ±10% 50 V CER X7R	09939	GRM42-6X7R473K050C
A5C105	0160-6734	1	CAP-FXD 0.047uF ±10% 50 V CER X7R	09939	GRM42-6X7R473K050C
A5C107	0160-6734	1	CAP-FXD 0.047uF ±10% 50 V CER X7R	09939	GRM42-6X7R473K050C
A5C108	0160-6222	1	CAP-FXD 0.1uF ±10% 50 V CER X7R	09939	GRM42-2X7R104K050V
A5C109	0160-6222	1	CAP-FXD 0.1uF ±10% 50 V CER X7R	09939	GRM42-2X7R104K050V
A5C110	0180-4287	1	CAP-FXD 10uF ±20% 35 V TA		
A5C111	0180-3751	1	CAP-FXD 1uF ±20% 35 V TA	00039	NRS105M35R8
A5C112	0160-5961	1	CAP-FXD 22pF ±5% 50 V CER C0G	09939	GRM40-001C0G220J050C
A5C113	0160-6734	1	CAP-FXD 0.047uF ±10% 50 V CER X7R	09939	GRM42-6X7R473K050C
A5C114	0180-4287	1	CAP-FXD 10uF ±20% 35 V TA		
A5C115	0180-4287	1	CAP-FXD 10uF ±20% 35 V TA		
A5C116	0160-6734	1	CAP-FXD 0.047uF ±10% 50 V CER X7R	09939	GRM42-6X7R473K050C
A5C117	0160-4426	1	CAP-FXD 0.01uF ±1% 100 V CER C0G	09939	RPE113C0G103F100V
A5C118	0160-4904	1	CAP-FXD 6800pF ±5% 100 V CER C0G	09939	RPA40C0G682J50V
A5C119	0160-4904	1	CAP-FXD 6800pF ±5% 100 V CER C0G	09939	RPA40C0G682J50V
A5C120	0160-4426	1	CAP-FXD 0.01uF ±1% 100 V CER C0G	09939	RPE113C0G103F100V
A5C121	0160-6734	1	CAP-FXD 0.047uF ±10% 50 V CER X7R	09939	GRM42-6X7R473K050C
A5C122	0160-6734	1	CAP-FXD 0.047uF ±10% 50 V CER X7R	09939	GRM42-6X7R473K050C
A5C123	0160-6734	1	CAP-FXD 0.047uF ±10% 50 V CER X7R	09939	GRM42-6X7R473K050C
A5C124	0180-4287	1	CAP-FXD 10uF ±20% 35 V TA		
A5C125	0180-4287	1	CAP-FXD 10uF ±20% 35 V TA		
A5C126	0160-6734	1	CAP-FXD 0.047uF ±10% 50 V CER X7R	09939	GRM42-6X7R473K050C
A5C127	0160-6734	1	CAP-FXD 0.047uF ±10% 50 V CER X7R	09939	GRM42-6X7R473K050C
A5C128	0160-6734	1	CAP-FXD 0.047uF ±10% 50 V CER X7R	09939	GRM42-6X7R473K050C
A5C129	0180-4287	1	CAP-FXD 10uF ±20% 35 V TA		
A5C130	0180-4287	1	CAP-FXD 10uF ±20% 35 V TA		
A5C131	0160-6734	1	CAP-FXD 0.047uF ±10% 50 V CER X7R	09939	GRM42-6X7R473K050C
A5C132	0180-4287	1	CAP-FXD 10uF ±20% 35 V TA		
A5C133	0160-6734	1	CAP-FXD 0.047uF ±10% 50 V CER X7R	09939	GRM42-6X7R473K050C
A5C134	0160-6734	1	CAP-FXD 0.047uF ±10% 50 V CER X7R	09939	GRM42-6X7R473K050C

**Replaceable Parts List for A5 Receiver Assembly, Part Number 08711-60105 (3 of 13)**

Reference Designation	HP Part Number	Qty	Description	Mfr Code	Mfr Part Number
A5C135	0180-4287	1	CAP-FXD 10uF ±20% 35 V TA		
A5C136	0160-6734	1	CAP-FXD 0.047uF ±10% 50 V CER X7R	09939	GRM42-6X7R473K050C
A5C137	0160-6096	1	CAP-FXD 470pF ±5% 50 V CER C0G	09939	GRM42-602C0G471J050C
A5C138	0160-6096	1	CAP-FXD 470pF ±5% 50 V CER C0G	09939	GRM42-602C0G471J050C
A5C139	0160-6096	1	CAP-FXD 470pF ±5% 50 V CER C0G	09939	GRM42-602C0G471J050C
A5C140	0160-6096	1	CAP-FXD 470pF ±5% 50 V CER C0G	09939	GRM42-602C0G471J050C
A5C141	0160-6734	1	CAP-FXD 0.047uF ±10% 50 V CER X7R	09939	GRM42-6X7R473K050C
A5C142	0160-6734	1	CAP-FXD 0.047uF ±10% 50 V CER X7R	09939	GRM42-6X7R473K050C
A5C143	0180-3751	1	CAP-FXD 1uF ±20% 35 V TA	00039	NRS105M35R8
A5C144	0180-3751	1	CAP-FXD 1uF ±20% 35 V TA	00039	NRS105M35R8
A5C145	0160-5957	1	CAP-FXD 47pF ±5% 50 V CER C0G	09939	GRM40-001C0G470J050C
A5C146	0180-3751	1	CAP-FXD 1uF ±20% 35 V TA	00039	NRS105M35R8
A5C147	0160-5957	1	CAP-FXD 47pF ±5% 50 V CER C0G	09939	GRM40-001C0G470J050C
A5C149	0160-6734	1	CAP-FXD 0.047uF ±10% 50 V CER X7R	09939	GRM42-6X7R473K050C
A5C150	0180-3751	1	CAP-FXD 1uF ±20% 35 V TA	00039	NRS105M35R8
A5C151	0180-3751	1	CAP-FXD 1uF ±20% 35 V TA	00039	NRS105M35R8
A5C152	0160-5980	1	CAP-FXD 1.8pF ±27.78% 50 V CER C0G	09939	GRM40-001C0G1R8D050C
A5C153	0160-6734	1	CAP-FXD 0.047uF ±10% 50 V CER X7R	09939	GRM42-6X7R473K050C
A5C154	0160-6734	1	CAP-FXD 0.047uF ±10% 50 V CER X7R	09939	GRM42-6X7R473K050C
A5C155	0160-6104	1	CAP-FXD 2200pF ±5% 50 V CER C0G	09939	GRM42-6C0G222J050C
A5C156	0160-5979	1	CAP-FXD 1.5pF ±33.33% 50 V CER C0G	09939	GRM40-001C0G1R5D050C
A5C160	0160-6734	1	CAP-FXD 0.047uF ±10% 50 V CER X7R	09939	GRM42-6X7R473K050C
A5C161	0160-6734	1	CAP-FXD 0.047uF ±10% 50 V CER X7R	09939	GRM42-6X7R473K050C
A5C162	0160-6734	1	CAP-FXD 0.047uF ±10% 50 V CER X7R	09939	GRM42-6X7R473K050C
A5C174	0160-6728	1	CAP-FXD 0.022uF ±10% 50 V CER X7R	09939	GRM42-6X7R223K050C
A5C176	0160-6734	1	CAP-FXD 0.047uF ±10% 50 V CER X7R	09939	GRM42-6X7R473K050C
A5C177	0160-6734	1	CAP-FXD 0.047uF ±10% 50 V CER X7R	09939	GRM42-6X7R473K050C
A5C187	0160-6222	1	CAP-FXD 0.1uF ±10% 50 V CER X7R	09939	GRM42-2X7R104K050V
A5C189	0160-6728	1	CAP-FXD 0.022uF ±10% 50 V CER X7R	09939	GRM42-6X7R223K050C
A5C190	0160-7333	1	CAP-FXD 0.068uF ±10% 50 V CER X7R		
A5C191	0160-7333	1	CAP-FXD 0.068uF ±10% 50 V CER X7R		
A5C192	0160-5952	1	CAP-FXD 330pF ±5% 50 V CER C0G	09939	GRM40-001C0G331J050C
A5C193	0160-5952	1	CAP-FXD 330pF ±5% 50 V CER C0G	09939	GRM40-001C0G331J050C
A5C194	0160-7333	1	CAP-FXD 0.068uF ±10% 50 V CER X7R		
A5C195	0160-5952	1	CAP-FXD 330pF ±5% 50 V CER C0G	09939	GRM40-001C0G331J050C
A5C196	0160-5952	1	CAP-FXD 330pF ±5% 50 V CER C0G	09939	GRM40-001C0G331J050C
A5C197	0160-5952	1	CAP-FXD 330pF ±5% 50 V CER C0G	09939	GRM40-001C0G331J050C
A5C198	0160-5952	1	CAP-FXD 330pF ±5% 50 V CER C0G	09939	GRM40-001C0G331J050C
A5C199	0160-5952	1	CAP-FXD 330pF ±5% 50 V CER C0G	09939	GRM40-001C0G331J050C
A5C200	0160-5952	1	CAP-FXD 330pF ±5% 50 V CER C0G	09939	GRM40-001C0G331J050C
A5C201	0160-6734	1	CAP-FXD 0.047uF ±10% 50 V CER X7R	09939	GRM42-6X7R473K050C
A5C202	0160-5952	1	CAP-FXD 330pF ±5% 50 V CER C0G	09939	GRM40-001C0G331J050C
A5C203	0160-6734	1	CAP-FXD 0.047uF ±10% 50 V CER X7R	09939	GRM42-6X7R473K050C
A5C204	0160-6734	1	CAP-FXD 0.047uF ±10% 50 V CER X7R	09939	GRM42-6X7R473K050C
A5C205	0160-6734	1	CAP-FXD 0.047uF ±10% 50 V CER X7R	09939	GRM42-6X7R473K050C
A5C301	0160-6734	1	CAP-FXD 0.047uF ±10% 50 V CER X7R	09939	GRM42-6X7R473K050C
A5C302	0160-6734	1	CAP-FXD 0.047uF ±10% 50 V CER X7R	09939	GRM42-6X7R473K050C
A5C303	0160-6734	1	CAP-FXD 0.047uF ±10% 50 V CER X7R	09939	GRM42-6X7R473K050C
A5C304	0160-6734	1	CAP-FXD 0.047uF ±10% 50 V CER X7R	09939	GRM42-6X7R473K050C
A5C310	0160-4904	1	CAP-FXD 6800pF ±5% 100 V CER C0G	09939	RPA40C0G682J50V
A5C311	0160-4426	1	CAP-FXD 0.01uF ±1% 100 V CER C0G	09939	RPE113C0G103F100V
A5C312	0160-4904	1	CAP-FXD 6800pF ±5% 100 V CER C0G	09939	RPA40C0G682J50V
A5C313	0160-4426	1	CAP-FXD 0.01uF ±1% 100 V CER C0G	09939	RPE113C0G103F100V
A5C314	0160-6734	1	CAP-FXD 0.047uF ±10% 50 V CER X7R	09939	GRM42-6X7R473K050C
A5C316	0160-6734	1	CAP-FXD 0.047uF ±10% 50 V CER X7R	09939	GRM42-6X7R473K050C
A5C318	0160-6734	1	CAP-FXD 0.047uF ±10% 50 V CER X7R	09939	GRM42-6X7R473K050C
A5C319	0160-6734	1	CAP-FXD 0.047uF ±10% 50 V CER X7R	09939	GRM42-6X7R473K050C
A5C320	0160-4904	1	CAP-FXD 6800pF ±5% 100 V CER C0G	09939	RPA40C0G682J50V
A5C321	0160-4426	1	CAP-FXD 0.01uF ±1% 100 V CER C0G	09939	RPE113C0G103F100V
A5C322	0160-4904	1	CAP-FXD 6800pF ±5% 100 V CER C0G	09939	RPA40C0G682J50V
A5C323	0160-4426	1	CAP-FXD 0.01uF ±1% 100 V CER C0G	09939	RPE113C0G103F100V
A5C324	0160-6734	1	CAP-FXD 0.047uF ±10% 50 V CER X7R	09939	GRM42-6X7R473K050C
A5C326	0160-6734	1	CAP-FXD 0.047uF ±10% 50 V CER X7R	09939	GRM42-6X7R473K050C
A5C328	0160-6734	1	CAP-FXD 0.047uF ±10% 50 V CER X7R	09939	GRM42-6X7R473K050C
A5C329	0160-6734	1	CAP-FXD 0.047uF ±10% 50 V CER X7R	09939	GRM42-6X7R473K050C
A5C338	0160-6734	1	CAP-FXD 0.047uF ±10% 50 V CER X7R	09939	GRM42-6X7R473K050C
A5C339	0160-6734	1	CAP-FXD 0.047uF ±10% 50 V CER X7R	09939	GRM42-6X7R473K050C

**Replaceable Parts List for A5 Receiver Assembly, Part Number 08711-60105 (4 of 13)**

Reference Designation	HP Part Number	Qty	Description	Mfr Code	Mfr Part Number
A5C340	0160-7333	1	CAP-FXD 0.068uF ± 10% 50 V CER X7R		
A5C341	0160-7333	1	CAP-FXD 0.068uF ± 10% 50 V CER X7R		
A5C342	0180-4287	1	CAP-FXD 10uF ± 20% 35 V TA		
A5C343	0180-4287	1	CAP-FXD 10uF ± 20% 35 V TA		
A5C344	0160-6734	1	CAP-FXD 0.047uF ± 10% 50 V CER X7R	09939	GRM42-6X7R473K050C
A5C345	0160-6734	1	CAP-FXD 0.047uF ± 10% 50 V CER X7R	09939	GRM42-6X7R473K050C
A5C346	0180-4287	1	CAP-FXD 10uF ± 20% 35 V TA		
A5C347	0180-3752	1	CAP-FXD 3.3uF ± 20% 35 V TA		
A5C348	0180-3751	1	CAP-FXD 1uF ± 20% 35 V TA	00039	NRD335M35R12
A5C349	0160-6734	1	CAP-FXD 0.047uF ± 10% 50 V CER X7R	00039	NRS105M35R8
A5C350	0160-6734	1	CAP-FXD 0.047uF ± 10% 50 V CER X7R	09939	GRM42-6X7R473K050C
A5C351	0160-7333	1	CAP-FXD 0.068uF ± 10% 50 V CER X7R	09939	GRM42-6X7R473K050C
A5C352	0160-7333	1	CAP-FXD 0.068uF ± 10% 50 V CER X7R		
A5C353	0180-4287	1	CAP-FXD 10uF ± 20% 35 V TA		
A5C354	0180-4287	1	CAP-FXD 10uF ± 20% 35 V TA		
A5C355	0160-6734	1	CAP-FXD 0.047uF ± 10% 50 V CER X7R	09939	GRM42-6X7R473K050C
A5C356	0180-4287	1	CAP-FXD 10uF ± 20% 35 V TA		
A5C357	0180-3752	1	CAP-FXD 3.3uF ± 20% 35 V TA	00039	NRD335M35R12
A5C358	0180-3751	1	CAP-FXD 1uF ± 20% 35 V TA	00039	NRS105M35R8
A5C359	0160-6734	1	CAP-FXD 0.047uF ± 10% 50 V CER X7R	09939	GRM42-6X7R473K050C
A5C400	0160-6734	1	CAP-FXD 0.047uF ± 10% 50 V CER X7R	09939	GRM42-6X7R473K050C
A5C401	0160-6734	1	CAP-FXD 0.047uF ± 10% 50 V CER X7R	09939	GRM42-6X7R473K050C
A5C402	0160-6734	1	CAP-FXD 0.047uF ± 10% 50 V CER X7R	09939	GRM42-6X7R473K050C
A5C403	0160-6734	1	CAP-FXD 0.047uF ± 10% 50 V CER X7R	09939	GRM42-6X7R473K050C
A5C404	0160-6734	1	CAP-FXD 0.047uF ± 10% 50 V CER X7R	09939	GRM42-6X7R473K050C
A5C405	0160-6734	1	CAP-FXD 0.047uF ± 10% 50 V CER X7R	09939	GRM42-6X7R473K050C
A5C406	0160-6734	1	CAP-FXD 0.047uF ± 10% 50 V CER X7R	09939	GRM42-6X7R473K050C
A5C407	0160-6734	1	CAP-FXD 0.047uF ± 10% 50 V CER X7R	09939	GRM42-6X7R473K050C
A5C408	0160-6734	1	CAP-FXD 0.047uF ± 10% 50 V CER X7R	09939	GRM42-6X7R473K050C
A5C409	0160-6734	1	CAP-FXD 0.047uF ± 10% 50 V CER X7R	09939	GRM42-6X7R473K050C
A5C410	0160-6734	1	CAP-FXD 0.047uF ± 10% 50 V CER X7R	09939	GRM42-6X7R473K050C
A5C411	0160-6736	1	CAP-FXD 0.01uF ± 10% 50 V CER X7R	09939	GRM42-602X7R103K050C
A5C412	0160-7333	1	CAP-FXD 0.068uF ± 10% 50 V CER X7R		
A5C413	0160-7333	1	CAP-FXD 0.068uF ± 10% 50 V CER X7R		
A5C417	0160-6734	1	CAP-FXD 0.047uF ± 10% 50 V CER X7R	09939	GRM42-6X7R473K050C
A5C418	0160-6734	1	CAP-FXD 0.047uF ± 10% 50 V CER X7R	09939	GRM42-6X7R473K050C
A5C419	0160-5967	1	CAP-FXD 100pF ± 5% 50 V CER C0G	09939	GRM40-001C0G101J050C
A5C420	0160-5967	1	CAP-FXD 100pF ± 5% 50 V CER C0G	09939	GRM40-001C0G101J050C
A5C421	0160-6222	1	CAP-FXD 0.1uF ± 10% 50 V CER X7R	09939	GRM42-2X7R104K050V
A5C422	0160-6222	1	CAP-FXD 0.1uF ± 10% 50 V CER X7R	09939	GRM42-2X7R104K050V
A5C423	0160-6734	1	CAP-FXD 0.047uF ± 10% 50 V CER X7R	09939	GRM42-6X7R473K050C
A5C424	0160-6734	1	CAP-FXD 0.047uF ± 10% 50 V CER X7R	09939	GRM42-6X7R473K050C
A5C425	0160-7387	1	CAP-FXD 200pF ± 5% 50 V CER C0G		
A5C426	0160-5959	1	CAP-FXD 33pF ± 5% 50 V CER C0G	09939	GRM40-001C0G330J050C
A5C427	0160-5975	1	CAP-FXD 10pF ± 5% 50 V CER C0G	09939	GRM40-001C0G100D050C
A5C428	0160-7387	1	CAP-FXD 200pF ± 5% 50 V CER C0G		
A5C429	0160-5959	1	CAP-FXD 33pF ± 5% 50 V CER C0G	09939	GRM40-001C0G330J050C
A5C430	0160-5975	1	CAP-FXD 10pF ± 5% 50 V CER C0G	09939	GRM40-001C0G100D050C
A5C431	0160-7387	1	CAP-FXD 200pF ± 5% 50 V CER C0G		
A5C432	0160-5959	1	CAP-FXD 33pF ± 5% 50 V CER C0G	09939	GRM40-001C0G330J050C
A5C501	0160-6734	1	CAP-FXD 0.047uF ± 10% 50 V CER X7R	09939	GRM42-6X7R473K050C
A5C502	0160-6104	1	CAP-FXD 2200pF ± 5% 50 V CER C0G	09939	GRM42-6C0G222J050C
A5C503	0160-6734	1	CAP-FXD 0.047uF ± 10% 50 V CER X7R	09939	GRM42-6X7R473K050C
A5C504	0160-6734	1	CAP-FXD 0.047uF ± 10% 50 V CER X7R	09939	GRM42-6X7R473K050C
A5CR1	1900-0262	1	DIODE-SCHOTTKY SM SIG	08852	M2X1798
A5CR2	1900-0262	1	DIODE-SCHOTTKY SM SIG	08852	M2X1798
A5CR3	1900-0262	1	DIODE-SCHOTTKY SM SIG	08852	M2X1798
A5CR4	1900-0262	1	DIODE-SCHOTTKY SM SIG	08852	M2X1798
A5CR5	1901-1227	1	DIODE-SWITCHING 75V 200MA 6NS TO-236		
A5CR6	1901-1227	1	DIODE-SWITCHING 75V 200MA 6NS TO-236		
A5CR7	1901-1227	1	DIODE-SWITCHING 75V 200MA 6NS TO-236		
A5CR8	1901-1227	1	DIODE-SWITCHING 75V 200MA 6NS TO-236		
A5CR9	1901-1227	1	DIODE-SWITCHING 75V 200MA 6NS TO-236		
A5CR10	1901-1227	1	DIODE-SWITCHING 75V 200MA 6NS TO-236		
A5CR11	1901-1227	1	DIODE-SWITCHING 75V 200MA 6NS TO-236		
A5CR12	1901-1227	1	DIODE-SWITCHING 75V 200MA 6NS TO-236		
A5CR13	1901-1227	1	DIODE-SWITCHING 75V 200MA 6NS TO-236		

**Replaceable Parts List for A5 Receiver Assembly, Part Number 08711-60105 (5 of 13)**

Reference Designation	HP Part Number	Qty	Description	Mfr Code	Mfr Part Number
A5CR14	1901-1227	1	DIODE-SWITCHING 75V 200MA 6NS TO-236		
A5CR15	1901-1227	1	DIODE-SWITCHING 75V 200MA 6NS TO-236		
A5CR16	1901-1227	1	DIODE-SWITCHING 75V 200MA 6NS TO-236		
A5CR17	1901-1227	1	DIODE-SWITCHING 75V 200MA 6NS TO-236		
A5CR18	1901-1227	1	DIODE-SWITCHING 75V 200MA 6NS TO-236		
A5CR19	1906-0375	1	DIODE-ARRAY 50V 400MA		
A5CR20	1901-1227	1	DIODE-SWITCHING 75V 200MA 6NS TO-236		
A5CR21	1901-1227	1	DIODE-SWITCHING 75V 200MA 6NS TO-236		
A5CR22	1901-1227	1	DIODE-SWITCHING 75V 200MA 6NS TO-236		
A5CR23	1901-1227	1	DIODE-SWITCHING 75V 200MA 6NS TO-236		
A5CR24	1901-1227	1	DIODE-SWITCHING 75V 200MA 6NS TO-236		
A5CR25	1901-1227	1	DIODE-SWITCHING 75V 200MA 6NS TO-236		
A5CR26	1901-1227	1	DIODE-SWITCHING 75V 200MA 6NS TO-236		
A5CR27	1901-1227	1	DIODE-SWITCHING 75V 200MA 6NS TO-236		
A5CR28	1901-1227	1	DIODE-SWITCHING 75V 200MA 6NS TO-236		
A5CR29	1901-1227	1	DIODE-SWITCHING 75V 200MA 6NS TO-236		
A5CR30	1901-1227	1	DIODE-SWITCHING 75V 200MA 6NS TO-236		
A5CR31	1901-1227	1	DIODE-SWITCHING 75V 200MA 6NS TO-236		
A5CR32	1900-0096	1	DIODE-PIN		
A5CR33	1900-0096	1	DIODE-PIN		
A5CR34	1900-0074	1	DIODE-SCHOTTKY SM SIG		
A5CR35	1900-0074	1	DIODE-SCHOTTKY SM SIG		
A5CR36	1900-0096	1	DIODE-PIN		
A5CR37	1900-0096	1	DIODE-PIN		
A5DC1	0955-0524	1	U-WAVE DIRECTIONAL COUPLER 2 GHZ MAX	02739	PDC-20A-5-3
A5DC2	0955-0524	1	U-WAVE DIRECTIONAL COUPLER 2 GHZ MAX	02739	PDC-20A-5-3
A5E1	9170-1421	1	CORE-SHIELDING BEAD		
A5E2	9170-1421	1	CORE-SHIELDING BEAD		
A5E3	9170-1421	1	CORE-SHIELDING BEAD		
A5E4	9170-1421	1	CORE-SHIELDING BEAD		
A5E5	9170-1421	1	CORE-SHIELDING BEAD		
A5E6	9170-1421	1	CORE-SHIELDING BEAD		
A5E7	9170-1421	1	CORE-SHIELDING BEAD		
A5E8	9170-1421	1	CORE-SHIELDING BEAD		
A5E9	9170-1421	1	CORE-SHIELDING BEAD		
A5E10	9170-1421	1	CORE-SHIELDING BEAD		
A5E11	9170-1421	1	CORE-SHIELDING BEAD		
A5E12	9170-1421	1	CORE-SHIELDING BEAD		
A5E13	9170-1421	1	CORE-SHIELDING BEAD		
A5E18	9170-1421	1	CORE-SHIELDING BEAD		
A5E19	9170-1421	1	CORE-SHIELDING BEAD		
A5E20	9170-1421	1	CORE-SHIELDING BEAD		
A5E21	9170-1421	1	CORE-SHIELDING BEAD		
A5E22	9170-1421	1	CORE-SHIELDING BEAD		
A5E23	9170-1421	1	CORE-SHIELDING BEAD		
A5E24	9170-1421	1	CORE-SHIELDING BEAD		
A5E25	9170-1421	1	CORE-SHIELDING BEAD		
A5E26	9170-1421	1	CORE-SHIELDING BEAD		
A5E304	9170-1421	1	CORE-SHIELDING BEAD		
A5E305	9170-1421	1	CORE-SHIELDING BEAD		
A5E306	9170-1421	1	CORE-SHIELDING BEAD		
A5E307	9170-1421	1	CORE-SHIELDING BEAD		
A5E308	9170-1421	1	CORE-SHIELDING BEAD		
A5E309	9170-1421	1	CORE-SHIELDING BEAD		
A5J1	1250-1986	1	CONNECTOR-RF SMA RCPT PC-W/O-STDF 50-OHM		
A5J2	1250-1604	1	CONNECTOR-RF SMA RCPT PC-W/O-STDF 50-OHM	04670	142-0701-201
A5J3	1250-1604	1	CONNECTOR-RF SMA RCPT PC-W/O-STDF 50-OHM	04670	142-0701-201
A5J4	1250-1604	1	CONNECTOR-RF SMA RCPT PC-W/O-STDF 50-OHM	04670	142-0701-201
A5J5	1252-3332	1	CONN-POST TYPE .100-PIN-SPCG 3-CONT	01380	103414-1
A5J6	1252-3332	1	CONN-POST TYPE .100-PIN-SPCG 3-CONT	01380	103414-1
A5J7	1251-5639	1	CONN-POST TYPE .100-PIN-SPCG 2-CONT	02946	68001-602
A5J8	1251-5639	1	CONN-POST TYPE .100-PIN-SPCG 2-CONT	02946	68001-602
A5J9	1251-5639	1	CONN-POST TYPE .100-PIN-SPCG 2-CONT	02946	68001-602
A5J10	1251-5639	1	CONN-POST TYPE .100-PIN-SPCG 2-CONT	02946	68001-602
A5J11	1251-5639	1	CONN-POST TYPE .100-PIN-SPCG 2-CONT	02946	68001-602
A5J12	1251-5639	1	CONN-POST TYPE .100-PIN-SPCG 2-CONT	02946	68001-602
A5J13	1251-8248	1	CONN-POST TYPE .100-PIN-SPCG 26-CONT		

**Replaceable Parts List for A5 Receiver Assembly, Part Number 08711-60105 (6 of 13)**

Reference Designation	HP Part Number	Qty	Description	Mfr Code	Mfr Part Number
ASJ14	1251-7854	1	CONN-POST TYPE .100-PIN-SPCG 6-CONT	01380	103168-1
ASJ15	1251-7854	1	CONN-POST TYPE .100-PIN-SPCG 6-CONT	01380	103168-1
ASJ16	1250-1842	1	CONNECTOR-RF BNC RCPT PC-W-STDFS 50-OHM		
ASL3	9100-3922	1	INDUCTOR-FIXED Z > 1200 OHMS 120 TO 650	12313	99ZSPA45165
ASL4	9100-3922	1	INDUCTOR-FIXED Z > 1200 OHMS 120 TO 650	12313	99ZSPA45165
ASL5	9140-1433	1	INDUCTOR 120UH ±5% 3.4W-MMX4.8LG-MM		
ASL6	9140-1433	1	INDUCTOR 120UH ±5% 3.4W-MMX4.8LG-MM		
ASL8	9100-3922	1	INDUCTOR-FIXED Z > 1200 OHMS 120 TO 650	12313	99ZSPA45165
ASL9	9100-3922	1	INDUCTOR-FIXED Z > 1200 OHMS 120 TO 650	12313	99ZSPA45165
ASL10	9140-1433	1	INDUCTOR 120UH ±5% 3.4W-MMX4.8LG-MM		
ASL11	9140-1433	1	INDUCTOR 120UH ±5% 3.4W-MMX4.8LG-MM		
ASL19	9100-2579	1	INDUCTOR RF-CH-MLD 3.3MH ±10%		
ASL111	9140-1433	1	INDUCTOR 120UH ±5% 3.4W-MMX4.8LG-MM		
ASL112	9100-3922	1	INDUCTOR-FIXED Z > 1200 OHMS 120 TO 650	12313	99ZSPA45165
ASL113	9140-1433	1	INDUCTOR 120UH ±5% 3.4W-MMX4.8LG-MM		
ASL114	9100-3922	1	INDUCTOR-FIXED Z > 1200 OHMS 120 TO 650	12313	99ZSPA45165
ASL302	9100-2579	1	INDUCTOR RF-CH-MLD 3.3MH ±10%		
ASL303	9100-2579	1	INDUCTOR RF-CH-MLD 3.3MH ±10%		
ASL304	9100-2579	1	INDUCTOR RF-CH-MLD 3.3MH ±10%		
ASL305	9100-2579	1	INDUCTOR RF-CH-MLD 3.3MH ±10%		
ASL306	9100-2579	1	INDUCTOR RF-CH-MLD 3.3MH ±10%		
ASMP1	08711-20105	1			
ASMP2	7121-4611	1	LABEL-INFORMATION .15-IN-WD .6-IN-LG	09002	
ASMP3	08711-20026	1			
ASMP4	08711-20027	1			
ASMP5	08711-20040	1			
ASMP6	08711-20040	1			
ASMP7	0515-0664	1	SCREW-MACHINE ASSEMBLY M3 X 0.5 12MM-LG	05610	
ASMP8	0515-0664	1	SCREW-MACHINE ASSEMBLY M3 X 0.5 12MM-LG	05610	
ASMP9	0515-0664	1	SCREW-MACHINE ASSEMBLY M3 X 0.5 12MM-LG	05610	
ASMP10	0515-0664	1	SCREW-MACHINE ASSEMBLY M3 X 0.5 12MM-LG	05610	
ASMP11	0515-0664	1	SCREW-MACHINE ASSEMBLY M3 X 0.5 12MM-LG	05610	
ASMP12	0515-0664	1	SCREW-MACHINE ASSEMBLY M3 X 0.5 12MM-LG	05610	
ASMP13	0515-0664	1	SCREW-MACHINE ASSEMBLY M3 X 0.5 12MM-LG	05610	
ASMP14	0515-0664	1	SCREW-MACHINE ASSEMBLY M3 X 0.5 12MM-LG	05610	
ASMP15	0515-0664	1	SCREW-MACHINE ASSEMBLY M3 X 0.5 12MM-LG	05610	
ASMP16	0515-0664	1	SCREW-MACHINE ASSEMBLY M3 X 0.5 12MM-LG	05610	
ASMP17	0515-0664	1	SCREW-MACHINE ASSEMBLY M3 X 0.5 12MM-LG	05610	
ASMP18	0515-0664	1	SCREW-MACHINE ASSEMBLY M3 X 0.5 12MM-LG	05610	
ASMP19	08711-60021	1			
ASMP20	0515-0430	4	SCREW-MACHINE ASSEMBLY M3 X 0.5 6MM-LG	05610	
ASMP21	0515-0430	4	SCREW-MACHINE ASSEMBLY M3 X 0.5 6MM-LG	05610	
ASMP22	0515-0430	4	SCREW-MACHINE ASSEMBLY M3 X 0.5 6MM-LG	05610	
ASMP23	0515-0430	4	SCREW-MACHINE ASSEMBLY M3 X 0.5 6MM-LG	05610	
ASMP24	08753-00038	1			
ASMP25	08753-00038	1			
ASMP26	08753-00038	1			
ASMP28	0590-1095	1	THREADED INSERT-NUT M3 X 0.5 1.5-MM-LG	03981	KF2-M3-ZI
ASMP29	0590-1095	1	THREADED INSERT-NUT M3 X 0.5 1.5-MM-LG	03981	KF2-M3-ZI
ASMP30	0590-1095	1	THREADED INSERT-NUT M3 X 0.5 1.5-MM-LG	03981	KF2-M3-ZI
ASMP31	0590-1095	1	THREADED INSERT-NUT M3 X 0.5 1.5-MM-LG	03981	KF2-M3-ZI
ASMP32	0590-1095	1	THREADED INSERT-NUT M3 X 0.5 1.5-MM-LG	03981	KF2-M3-ZI
ASMP33	0590-1095	1	THREADED INSERT-NUT M3 X 0.5 1.5-MM-LG	03981	KF2-M3-ZI
ASNONE0011	0520-0174	1	SCREW-MACH 2-56 .25-IN-LG PAN-HD-POZI	04771	
ASNONE0012	08711-20032	1			
ASNONE0013	08711-20033	1			
ASNONE0014	08711-60035	1			
ASNONE0015	08711-60038	1			
ASNONE0016	08711-65105	1			
ASNONE0017	1250-1251	1	ADAPTER-COAX STR F-SMA F-SMA		
ASNONE0018	1400-1439	1	CLAMP-FL-CA .375-WD NYL-6/6	01924	8511-46-00-9909
ASNONE0019	2950-0216	1	NUT-HEX-DBL-CHAM 1/4-36-THD .062-IN-THK	12384	
ASP1	1252-2356	1	CONN-POST TYPE 2.54-PIN-SPCG 96-CONT	01380	650913-5
ASQ1	1854-1037	1	TRANSISTOR NPN SI TO-236AA PD=350MW		
ASQ2	1854-1037	1	TRANSISTOR NPN SI TO-236AA PD=350MW		
ASQ3	1854-1094	1	TRANSISTOR NPN SI SOT-89 (TO-243AB)		
ASQ4	1854-1037	1	TRANSISTOR NPN SI TO-236AA PD=350MW		



**Replaceable Parts List for A5 Receiver Assembly, Part Number 08711-60105 (7 of 13)**

Reference Designation	HP Part Number	Qty	Description	Mfr Code	Mfr Part Number
A5Q5	1854-1037	1	TRANSISTOR NPN SI TO-236AA PD=350MW		
A5Q6	1854-1094	1	TRANSISTOR NPN SI SOT-89 (TO-243AB)		
A5Q7	1854-1037	1	TRANSISTOR NPN SI TO-236AA PD=350MW		
A5Q8	1854-1037	1	TRANSISTOR NPN SI TO-236AA PD=350MW		
A5Q9	1854-1094	1	TRANSISTOR NPN SI SOT-89 (TO-243AB)		
A5Q10	1855-0825	1	TRANSISTOR J-FET N-CHAN SI		
A5Q11	1855-0825	1	TRANSISTOR J-FET N-CHAN SI		
A5Q12	1855-0825	1	TRANSISTOR J-FET N-CHAN SI		
A5Q13	1855-0825	1	TRANSISTOR J-FET N-CHAN SI		
A5Q14	1855-0825	1	TRANSISTOR J-FET N-CHAN SI		
A5Q15	1855-0825	1	TRANSISTOR J-FET N-CHAN SI		
A5Q16	1855-0825	1	TRANSISTOR J-FET N-CHAN SI		
A5Q17	1855-0825	1	TRANSISTOR J-FET N-CHAN SI		
A5Q18	1855-0825	1	TRANSISTOR J-FET N-CHAN SI		
A5Q19	1855-0825	1	TRANSISTOR J-FET N-CHAN SI		
A5Q20	1854-1037	1	TRANSISTOR NPN SI TO-236AA PD=350MW		
A5Q21	1854-1037	1	TRANSISTOR NPN SI TO-236AA PD=350MW		
ASR1	0699-1426	1	RESISTOR 287 ± 1% .125W TKF TC=0±100	06119	D25 287 OHM
ASR2	0699-1426	1	RESISTOR 287 ± 1% .125W TKF TC=0±100	06119	D25 287 OHM
ASR3	0699-1385	1	RESISTOR 5.11K ± 1% .125W TKF TC=0±100	06119	D25 5.11K OHM
ASR4	0699-1427	1	RESISTOR 316 ± 1% .125W TKF TC=0±100	06119	D25 316 OHM
ASR5	0699-1427	1	RESISTOR 316 ± 1% .125W TKF TC=0±100	06119	D25 316 OHM
ASR6	0699-1415	1	RESISTOR 100 ± 1% .125W TKF TC=0±100	06119	D25 100 OHM
ASR7	0699-1383	1	RESISTOR 4.22K ± 1% .125W TKF TC=0±100	06119	D25 4.22K OHM
ASR8	0699-1367	1	RESISTOR 90.9 ± 1% .125W TKF TC=0±100	06119	D25 90.9 OHM
ASR9	0699-1358	1	RESISTOR 38.3 ± 1% .125W TKF TC=0±100	06119	D25 38.3 OHM
ASR10	0699-1426	1	RESISTOR 287 ± 1% .125W TKF TC=0±100	06119	D25 287 OHM
ASR11	0699-1344	1	RESISTOR 10 ± 1% .125W TKF TC=0±100	06119	D25 10 OHM
ASR12	0699-1417	1	RESISTOR 121 ± 1% .125W TKF TC=0±100	06119	D25 121 OHM
ASR13	0699-1385	1	RESISTOR 5.11K ± 1% .125W TKF TC=0±100	06119	D25 5.11K OHM
ASR14	0699-1383	1	RESISTOR 4.22K ± 1% .125W TKF TC=0±100	06119	D25 4.22K OHM
ASR15	0699-1426	1	RESISTOR 287 ± 1% .125W TKF TC=0±100	06119	D25 287 OHM
ASR16	0699-1427	1	RESISTOR 316 ± 1% .125W TKF TC=0±100	06119	D25 316 OHM
ASR17	0699-1417	1	RESISTOR 121 ± 1% .125W TKF TC=0±100	06119	D25 121 OHM
ASR18	0699-1426	1	RESISTOR 287 ± 1% .125W TKF TC=0±100	06119	D25 287 OHM
ASR19	0699-1376	1	RESISTOR 2.15K ± 1% .125W TKF TC=0±100	06119	D25 2.15K OHM
ASR20	0699-1363	1	RESISTOR 61.9 ± 1% .125W TKF TC=0±100	06119	D25 61.9 OHM
ASR21	0699-1417	1	RESISTOR 121 ± 1% .125W TKF TC=0±100	06119	D25 121 OHM
ASR22	0699-1415	1	RESISTOR 100 ± 1% .125W TKF TC=0±100	06119	D25 100 OHM
ASR23	0699-1427	1	RESISTOR 316 ± 1% .125W TKF TC=0±100	06119	D25 316 OHM
ASR24	0699-1415	1	RESISTOR 100 ± 1% .125W TKF TC=0±100	06119	D25 100 OHM
ASR25	0699-1383	1	RESISTOR 4.22K ± 1% .125W TKF TC=0±100	06119	D25 4.22K OHM
ASR26	0699-1367	1	RESISTOR 90.9 ± 1% .125W TKF TC=0±100	06119	D25 90.9 OHM
ASR27	0699-1391	1	RESISTOR 10K ± 1% .125W TKF TC=0±100	06119	D25 10K OHM
ASR28	0699-1391	1	RESISTOR 10K ± 1% .125W TKF TC=0±100	06119	D25 10K OHM
ASR29	0699-1425	1	RESISTOR 261 ± 1% .125W TKF TC=0±100	06119	D25 261 OHM
ASR30	0699-1358	1	RESISTOR 38.3 ± 1% .125W TKF TC=0±100	06119	D25 38.3 OHM
ASR31	0699-1344	1	RESISTOR 10 ± 1% .125W TKF TC=0±100	06119	D25 10 OHM
ASR32	0699-1426	1	RESISTOR 287 ± 1% .125W TKF TC=0±100	06119	D25 287 OHM
ASR33	0699-1385	1	RESISTOR 5.11K ± 1% .125W TKF TC=0±100	06119	D25 5.11K OHM
ASR34	0699-1363	1	RESISTOR 61.9 ± 1% .125W TKF TC=0±100	06119	D25 61.9 OHM
ASR35	0699-1417	1	RESISTOR 121 ± 1% .125W TKF TC=0±100	06119	D25 121 OHM
ASR36	0699-1427	1	RESISTOR 316 ± 1% .125W TKF TC=0±100	06119	D25 316 OHM
ASR37	0699-1417	1	RESISTOR 121 ± 1% .125W TKF TC=0±100	06119	D25 121 OHM
ASR38	0699-1417	1	RESISTOR 121 ± 1% .125W TKF TC=0±100	06119	D25 121 OHM
ASR39	0699-1385	1	RESISTOR 5.11K ± 1% .125W TKF TC=0±100	06119	D25 5.11K OHM
ASR40	0699-1391	1	RESISTOR 10K ± 1% .125W TKF TC=0±100	06119	D25 10K OHM
ASR41	0699-1426	1	RESISTOR 287 ± 1% .125W TKF TC=0±100	06119	D25 287 OHM
ASR42	0699-1415	1	RESISTOR 100 ± 1% .125W TKF TC=0±100	06119	D25 100 OHM
ASR43	0699-1353	1	RESISTOR 23.7 ± 1% .125W TKF TC=0±100	06119	D25 23.7 OHM
ASR44	0699-1353	1	RESISTOR 23.7 ± 1% .125W TKF TC=0±100	06119	D25 23.7 OHM
ASR45	0699-1353	1	RESISTOR 23.7 ± 1% .125W TKF TC=0±100	06119	D25 23.7 OHM
ASR46	0699-1376	1	RESISTOR 2.15K ± 1% .125W TKF TC=0±100	06119	D25 2.15K OHM
ASR47	0699-1433	1	RESISTOR 562 ± 1% .125W TKF TC=0±100	06119	D25 562 OHM
ASR48	0699-1433	1	RESISTOR 562 ± 1% .125W TKF TC=0±100	06119	D25 562 OHM
ASR49	0699-1391	1	RESISTOR 10K ± 1% .125W TKF TC=0±100	06119	D25 10K OHM
ASR50	0699-1391	1	RESISTOR 10K ± 1% .125W TKF TC=0±100	06119	D25 10K OHM

**Replaceable Parts List for A5 Receiver Assembly, Part Number 08711-60105 (8 of 13)**

Reference Designation	HP Part Number	Qty	Description	Mfr Code	Mfr Part Number
ASR51	0699-1428	1	RESISTOR 348 ±1% .125W TKF TC=0±100	06119	D25 348 OHM
ASR52	0699-1433	1	RESISTOR 562 ±1% .125W TKF TC=0±100	06119	D25 562 OHM
ASR53	0699-1433	1	RESISTOR 562 ±1% .125W TKF TC=0±100	06119	D25 562 OHM
ASR54	0699-1433	1	RESISTOR 562 ±1% .125W TKF TC=0±100	06119	D25 562 OHM
ASR55	0699-1415	1	RESISTOR 100 ±1% .125W TKF TC=0±100	06119	D25 100 OHM
ASR56	0699-1415	1	RESISTOR 100 ±1% .125W TKF TC=0±100	06119	D25 100 OHM
ASR57	0699-2490	1	RESISTOR 1K ±0.1% .125W TF TC=0±25	02499	W1206R031001BT
ASR58	0699-2490	1	RESISTOR 1K ±0.1% .125W TF TC=0±25	02499	W1206R031001BT
ASR59	0699-1422	1	RESISTOR 196 ±1% .125W TKF TC=0±100	06119	D25 196 OHM
ASR60	0699-1356	1	RESISTOR 31.6 ±1% .125W TKF TC=0±100	06119	D25 31.6 OHM
ASR61	0699-1384	1	RESISTOR 4.64K ±1% .125W TKF TC=0±100	06119	D25 4.64K OHM
ASR62	0699-1391	1	RESISTOR 10K ±1% .125W TKF TC=0±100	06119	D25 10K OHM
ASR63	0699-1383	1	RESISTOR 4.22K ±1% .125W TKF TC=0±100	06119	D25 4.22K OHM
ASR64	0699-1376	1	RESISTOR 2.15K ±1% .125W TKF TC=0±100	06119	D25 2.15K OHM
ASR65	0699-1369	1	RESISTOR 1.1K ±1% .125W TKF TC=0±100	06119	D25 1.1K OHM
ASR66	0699-1380	1	RESISTOR 3.16K ±1% .125W TKF TC=0±100	06119	D25 3.16K OHM
ASR67	0699-1391	1	RESISTOR 10K ±1% .125W TKF TC=0±100	06119	D25 10K OHM
ASR68	0699-1367	1	RESISTOR 90.9 ±1% .125W TKF TC=0±100	06119	D25 90.9 OHM
ASR69	0699-1345	1	RESISTOR 11 ±1% .125W TKF TC=0±100	06119	D25 11 OHM
ASR70	0699-1345	1	RESISTOR 11 ±1% .125W TKF TC=0±100	06119	D25 11 OHM
ASR71	0699-1356	1	RESISTOR 31.6 ±1% .125W TKF TC=0±100	06119	D25 31.6 OHM
ASR72	0699-1384	1	RESISTOR 4.64K ±1% .125W TKF TC=0±100	06119	D25 4.64K OHM
ASR73	0699-1391	1	RESISTOR 10K ±1% .125W TKF TC=0±100	06119	D25 10K OHM
ASR74	0699-1434	1	RESISTOR 619 ±1% .125W TKF TC=0±100	06119	D25 619 OHM
ASR75	0699-1378	1	RESISTOR 2.61K ±1% .125W TKF TC=0±100	06119	D25 2.61K OHM
ASR76	0699-1378	1	RESISTOR 2.61K ±1% .125W TKF TC=0±100	06119	D25 2.61K OHM
ASR77	0699-1430	1	RESISTOR 422 ±1% .125W TKF TC=0±100	06119	D25 422 OHM
ASR78	0699-1376	1	RESISTOR 2.15K ±1% .125W TKF TC=0±100	06119	D25 2.15K OHM
ASR80	0699-1415	1	RESISTOR 100 ±1% .125W TKF TC=0±100	06119	D25 100 OHM
ASR81	0699-1415	1	RESISTOR 100 ±1% .125W TKF TC=0±100	06119	D25 100 OHM
ASR82	0699-1415	1	RESISTOR 100 ±1% .125W TKF TC=0±100	06119	D25 100 OHM
ASR83	0699-1415	1	RESISTOR 100 ±1% .125W TKF TC=0±100	06119	D25 100 OHM
ASR84	0699-2490	1	RESISTOR 1K ±0.1% .125W TF TC=0±25	02499	W1206R031001BT
ASR85	0699-2490	1	RESISTOR 1K ±0.1% .125W TF TC=0±25	02499	W1206R031001BT
ASR86	0699-1422	1	RESISTOR 196 ±1% .125W TKF TC=0±100	06119	D25 196 OHM
ASR87	0699-1356	1	RESISTOR 31.6 ±1% .125W TKF TC=0±100	06119	D25 31.6 OHM
ASR88	0699-1384	1	RESISTOR 4.64K ±1% .125W TKF TC=0±100	06119	D25 4.64K OHM
ASR89	0699-1391	1	RESISTOR 10K ±1% .125W TKF TC=0±100	06119	D25 10K OHM
ASR90	0699-1383	1	RESISTOR 4.22K ±1% .125W TKF TC=0±100	06119	D25 4.22K OHM
ASR91	0699-1376	1	RESISTOR 2.15K ±1% .125W TKF TC=0±100	06119	D25 2.15K OHM
ASR92	0699-1369	1	RESISTOR 1.1K ±1% .125W TKF TC=0±100	06119	D25 1.1K OHM
ASR93	0699-1380	1	RESISTOR 3.16K ±1% .125W TKF TC=0±100	06119	D25 3.16K OHM
ASR94	0699-1391	1	RESISTOR 10K ±1% .125W TKF TC=0±100	06119	D25 10K OHM
ASR95	0699-1367	1	RESISTOR 90.9 ±1% .125W TKF TC=0±100	06119	D25 90.9 OHM
ASR96	0699-1345	1	RESISTOR 11 ±1% .125W TKF TC=0±100	06119	D25 11 OHM
ASR97	0699-1345	1	RESISTOR 11 ±1% .125W TKF TC=0±100	06119	D25 11 OHM
ASR98	0699-1356	1	RESISTOR 31.6 ±1% .125W TKF TC=0±100	06119	D25 31.6 OHM
ASR99	0699-1384	1	RESISTOR 4.64K ±1% .125W TKF TC=0±100	06119	D25 4.64K OHM
ASR100	0699-1391	1	RESISTOR 10K ±1% .125W TKF TC=0±100	06119	D25 10K OHM
ASR101	0699-1434	1	RESISTOR 619 ±1% .125W TKF TC=0±100	06119	D25 619 OHM
ASR102	0699-1430	1	RESISTOR 422 ±1% .125W TKF TC=0±100	06119	D25 422 OHM
ASR103	0699-1383	1	RESISTOR 4.22K ±1% .125W TKF TC=0±100	06119	D25 4.22K OHM
ASR104	0699-1415	1	RESISTOR 100 ±1% .125W TKF TC=0±100	06119	D25 100 OHM
ASR105	0699-1415	1	RESISTOR 100 ±1% .125W TKF TC=0±100	06119	D25 100 OHM
ASR106	0699-1358	1	RESISTOR 38.3 ±1% .125W TKF TC=0±100	06119	D25 38.3 OHM
ASR107	0699-1383	1	RESISTOR 4.22K ±1% .125W TKF TC=0±100	06119	D25 4.22K OHM
ASR108	0699-1378	1	RESISTOR 2.61K ±1% .125W TKF TC=0±100	06119	D25 2.61K OHM
ASR109	0699-1378	1	RESISTOR 2.61K ±1% .125W TKF TC=0±100	06119	D25 2.61K OHM
ASR110	0699-1430	1	RESISTOR 422 ±1% .125W TKF TC=0±100	06119	D25 422 OHM
ASR112	0699-1376	1	RESISTOR 2.15K ±1% .125W TKF TC=0±100	06119	D25 2.15K OHM
ASR113	0699-1383	1	RESISTOR 4.22K ±1% .125W TKF TC=0±100	06119	D25 4.22K OHM
ASR114	0699-1376	1	RESISTOR 2.15K ±1% .125W TKF TC=0±100	06119	D25 2.15K OHM
ASR115	0699-1345	1	RESISTOR 11 ±1% .125W TKF TC=0±100	06119	D25 11 OHM
ASR116	0699-1345	1	RESISTOR 11 ±1% .125W TKF TC=0±100	06119	D25 11 OHM
ASR117	0699-1374	1	RESISTOR 1.78K ±1% .125W TKF TC=0±100	06119	D25 1.78K OHM
ASR118	0699-1378	1	RESISTOR 2.61K ±1% .125W TKF TC=0±100	06119	D25 2.61K OHM
ASR119	0699-1435	1	RESISTOR 681 ±1% .125W TKF TC=0±100	06119	D25 681 OHM

**Replaceable Parts List for A5 Receiver Assembly, Part Number 08711-60105 (9 of 13)**

Reference Designation	HP Part Number	Qty	Description	Mfr Code	Mfr Part Number
ASR120	0699-1320	1	RESISTOR 19.6K ±1% .125W TKF TC=0±100	06119	D25 19.6K OHM
ASR121	0699-1370	1	RESISTOR 1.21K ±1% .125W TKF TC=0±100	06119	D25 1.21K OHM
ASR122	0699-1435	1	RESISTOR 681 ±1% .125W TKF TC=0±100	06119	D25 681 OHM
ASR123	0699-1435	1	RESISTOR 681 ±1% .125W TKF TC=0±100	06119	D25 681 OHM
ASR124	0699-1409	1	RESISTOR 56.2K ±1% .125W TKF TC=0±100	06119	D25 56.2K OHM
ASR125	0699-1329	1	RESISTOR 6.19K ±1% .125W TKF TC=0±100	06119	D25 6.19K OHM
ASR126	0699-1369	1	RESISTOR 1.1K ±1% .125W TKF TC=0±100	06119	D25 1.1K OHM
ASR127	0699-1415	1	RESISTOR 100 ±1% .125W TKF TC=0±100	06119	D25 100 OHM
ASR128	0699-1382	1	RESISTOR 3.83K ±1% .125W TKF TC=0±100	06119	D25 3.83K OHM
ASR129	0699-1382	1	RESISTOR 3.83K ±1% .125W TKF TC=0±100	06119	D25 3.83K OHM
ASR130	0699-1382	1	RESISTOR 3.83K ±1% .125W TKF TC=0±100	06119	D25 3.83K OHM
ASR131	0699-1382	1	RESISTOR 3.83K ±1% .125W TKF TC=0±100	06119	D25 3.83K OHM
ASR132	0699-1367	1	RESISTOR 90.9 ±1% .125W TKF TC=0±100	06119	D25 90.9 OHM
ASR133	0699-1367	1	RESISTOR 90.9 ±1% .125W TKF TC=0±100	06119	D25 90.9 OHM
ASR134	0699-1344	1	RESISTOR 10 ±1% .125W TKF TC=0±100	06119	D25 10 OHM
ASR136	0699-1378	1	RESISTOR 2.61K ±1% .125W TKF TC=0±100	06119	D25 2.61K OHM
ASR137	0699-1378	1	RESISTOR 2.61K ±1% .125W TKF TC=0±100	06119	D25 2.61K OHM
ASR139	0699-1383	1	RESISTOR 4.22K ±1% .125W TKF TC=0±100	06119	D25 4.22K OHM
ASR140	0699-1415	1	RESISTOR 100 ±1% .125W TKF TC=0±100	06119	D25 100 OHM
ASR141	0699-1415	1	RESISTOR 100 ±1% .125W TKF TC=0±100	06119	D25 100 OHM
ASR142	0699-1377	1	RESISTOR 2.37K ±1% .125W TKF TC=0±100	06119	D25 2.37K OHM
ASR144	0699-1432	1	RESISTOR 511 ±1% .125W TKF TC=0±100	06119	D25 511 OHM
ASR145	0699-1385	1	RESISTOR 5.11K ±1% .125W TKF TC=0±100	06119	D25 5.11K OHM
ASR146	0699-1385	1	RESISTOR 5.11K ±1% .125W TKF TC=0±100	06119	D25 5.11K OHM
ASR147	0699-1391	1	RESISTOR 10K ±1% .125W TKF TC=0±100	06119	D25 10K OHM
ASR148	0699-1391	1	RESISTOR 10K ±1% .125W TKF TC=0±100	06119	D25 10K OHM
ASR149	1810-1064	1	NETWORK-RES 16-SMD 10.0K OHM X 15	09891	HM16B103G 100PPM
ASR150	0699-1785	1	RESISTOR 13.3K ±1% .125W TKF TC=0±100	06119	D25 13.3K OHM
ASR151	0699-1318	1	RESISTOR 1K ±1% .125W TKF TC=0±100	06119	D25 1K OHM
ASR152	1810-1064	1	NETWORK-RES 16-SMD 10.0K OHM X 15	09891	HM16B103G 100PPM
ASR154	0699-2490	1	RESISTOR 1K ±0.1% .125W TF TC=0±25	02499	W1206R031001BT
ASR155	0699-1415	1	RESISTOR 100 ±1% .125W TKF TC=0±100	06119	D25 100 OHM
ASR157	0699-1320	1	RESISTOR 19.6K ±1% .125W TKF TC=0±100	06119	D25 19.6K OHM
ASR158	0699-1320	1	RESISTOR 19.6K ±1% .125W TKF TC=0±100	06119	D25 19.6K OHM
ASR160	0699-1377	1	RESISTOR 2.37K ±1% .125W TKF TC=0±100	06119	D25 2.37K OHM
ASR161	0699-1432	1	RESISTOR 511 ±1% .125W TKF TC=0±100	06119	D25 511 OHM
ASR174	0699-1417	1	RESISTOR 121 ±1% .125W TKF TC=0±100	06119	D25 121 OHM
ASR175	0699-1427	1	RESISTOR 316 ±1% .125W TKF TC=0±100	06119	D25 316 OHM
ASR179	0699-1358	1	RESISTOR 38.3 ±1% .125W TKF TC=0±100	06119	D25 38.3 OHM
ASR180	0699-1385	1	RESISTOR 5.11K ±1% .125W TKF TC=0±100	06119	D25 5.11K OHM
ASR181	0699-1424	1	RESISTOR 237 ±1% .125W TKF TC=0±100	06119	D25 237 OHM
ASR182	0699-2847	1	RESISTOR 2K ±0.1% .125W TF TC=0±25	02499	W1206R032001BT
ASR183	0699-2847	1	RESISTOR 2K ±0.1% .125W TF TC=0±25	02499	W1206R032001BT
ASR184	0699-2847	1	RESISTOR 2K ±0.1% .125W TF TC=0±25	02499	W1206R032001BT
ASR185	0699-2847	1	RESISTOR 2K ±0.1% .125W TF TC=0±25	02499	W1206R032001BT
ASR186	0699-1329	1	RESISTOR 6.19K ±1% .125W TKF TC=0±100	06119	D25 6.19K OHM
ASR187	0699-1329	1	RESISTOR 6.19K ±1% .125W TKF TC=0±100	06119	D25 6.19K OHM
ASR188	0699-1329	1	RESISTOR 6.19K ±1% .125W TKF TC=0±100	06119	D25 6.19K OHM
ASR189	0699-1329	1	RESISTOR 6.19K ±1% .125W TKF TC=0±100	06119	D25 6.19K OHM
ASR190	0699-1385	1	RESISTOR 5.11K ±1% .125W TKF TC=0±100	06119	D25 5.11K OHM
ASR191	0699-1415	1	RESISTOR 100 ±1% .125W TKF TC=0±100	06119	D25 100 OHM
ASR192	0699-1415	1	RESISTOR 100 ±1% .125W TKF TC=0±100	06119	D25 100 OHM
ASR193	0699-1415	1	RESISTOR 100 ±1% .125W TKF TC=0±100	06119	D25 100 OHM
ASR194	0699-1415	1	RESISTOR 100 ±1% .125W TKF TC=0±100	06119	D25 100 OHM
ASR203	0699-2490	1	RESISTOR 1K ±0.1% .125W TF TC=0±25	02499	W1206R031001BT
ASR204	0699-1444	1	RESISTOR 178K ±1% .125W TKF TC=0±100	06119	D25 178K OHM
ASR224	0699-1417	1	RESISTOR 121 ±1% .125W TKF TC=0±100	06119	D25 121 OHM
ASR308	0699-1345	1	RESISTOR 11 ±1% .125W TKF TC=0±100	06119	D25 11 OHM
ASR309	0699-1345	1	RESISTOR 11 ±1% .125W TKF TC=0±100	06119	D25 11 OHM
ASR310	0699-1415	1	RESISTOR 100 ±1% .125W TKF TC=0±100	06119	D25 100 OHM
ASR311	0699-1430	1	RESISTOR 422 ±1% .125W TKF TC=0±100	06119	D25 422 OHM
ASR314	0699-1435	1	RESISTOR 681 ±1% .125W TKF TC=0±100	06119	D25 681 OHM
ASR315	0699-1329	1	RESISTOR 6.19K ±1% .125W TKF TC=0±100	06119	D25 6.19K OHM
ASR316	0699-1369	1	RESISTOR 1.1K ±1% .125W TKF TC=0±100	06119	D25 1.1K OHM
ASR317	0699-1320	1	RESISTOR 19.6K ±1% .125W TKF TC=0±100	06119	D25 19.6K OHM
ASR318	0699-1370	1	RESISTOR 1.21K ±1% .125W TKF TC=0±100	06119	D25 1.21K OHM
ASR319	0699-1383	1	RESISTOR 4.22K ±1% .125W TKF TC=0±100	06119	D25 4.22K OHM

**Replaceable Parts List for A5 Receiver Assembly, Part Number 08711-60105 (10 of 13)**

Reference Designation	HP Part Number	Qty	Description	Mfr Code	Mfr Part Number
A5R320	0699-1376	1	RESISTOR 2.15K ±1% .125W TKF TC=0±100	06119	D25 2.15K OHM
A5R321	0699-1345	1	RESISTOR 11 ±1% .125W TKF TC=0±100	06119	D25 11 OHM
A5R322	0699-1374	1	RESISTOR 1.78K ±1% .125W TKF TC=0±100	06119	D25 1.78K OHM
A5R323	0699-1345	1	RESISTOR 11 ±1% .125W TKF TC=0±100	06119	D25 11 OHM
A5R324	0699-1378	1	RESISTOR 2.61K ±1% .125W TKF TC=0±100	06119	D25 2.61K OHM
A5R325	0699-1435	1	RESISTOR 681 ±1% .125W TKF TC=0±100	06119	D25 681 OHM
A5R326	0699-1415	1	RESISTOR 100 ±1% .125W TKF TC=0±100	06119	D25 100 OHM
A5R327	0699-1430	1	RESISTOR 422 ±1% .125W TKF TC=0±100	06119	D25 422 OHM
A5R328	0699-1435	1	RESISTOR 681 ±1% .125W TKF TC=0±100	06119	D25 681 OHM
A5R329	0699-1409	1	RESISTOR 56.2K ±1% .125W TKF TC=0±100	06119	D25 56.2K OHM
A5R330	0699-1435	1	RESISTOR 681 ±1% .125W TKF TC=0±100	06119	D25 681 OHM
A5R331	0699-1329	1	RESISTOR 6.19K ±1% .125W TKF TC=0±100	06119	D25 6.19K OHM
A5R332	0699-1369	1	RESISTOR 1.1K ±1% .125W TKF TC=0±100	06119	D25 1.1K OHM
A5R333	0699-1320	1	RESISTOR 19.6K ±1% .125W TKF TC=0±100	06119	D25 19.6K OHM
A5R334	0699-1370	1	RESISTOR 1.21K ±1% .125W TKF TC=0±100	06119	D25 1.21K OHM
A5R335	0699-1383	1	RESISTOR 4.22K ±1% .125W TKF TC=0±100	06119	D25 4.22K OHM
A5R336	0699-1376	1	RESISTOR 2.15K ±1% .125W TKF TC=0±100	06119	D25 2.15K OHM
A5R338	0699-1374	1	RESISTOR 1.78K ±1% .125W TKF TC=0±100	06119	D25 1.78K OHM
A5R340	0699-1378	1	RESISTOR 2.61K ±1% .125W TKF TC=0±100	06119	D25 2.61K OHM
A5R341	0699-1435	1	RESISTOR 681 ±1% .125W TKF TC=0±100	06119	D25 681 OHM
A5R352	0699-1384	1	RESISTOR 4.64K ±1% .125W TKF TC=0±100	06119	D25 4.64K OHM
A5R353	0699-1384	1	RESISTOR 4.64K ±1% .125W TKF TC=0±100	06119	D25 4.64K OHM
A5R354	0699-1384	1	RESISTOR 4.64K ±1% .125W TKF TC=0±100	06119	D25 4.64K OHM
A5R355	0699-1384	1	RESISTOR 4.64K ±1% .125W TKF TC=0±100	06119	D25 4.64K OHM
A5R356	0699-1319	1	RESISTOR 12.1K ±1% .125W TKF TC=0±100	06119	D25 12.1K OHM
A5R357	0699-1319	1	RESISTOR 12.1K ±1% .125W TKF TC=0±100	06119	D25 12.1K OHM
A5R358	0699-1344	1	RESISTOR 10 ±1% .125W TKF TC=0±100	06119	D25 10 OHM
A5R401	0699-1424	1	RESISTOR 237 ±1% .125W TKF TC=0±100	06119	D25 237 OHM
A5R402	0699-1424	1	RESISTOR 237 ±1% .125W TKF TC=0±100	06119	D25 237 OHM
A5R403	0699-1424	1	RESISTOR 237 ±1% .125W TKF TC=0±100	06119	D25 237 OHM
A5R405	0699-1424	1	RESISTOR 237 ±1% .125W TKF TC=0±100	06119	D25 237 OHM
A5R406	0699-1424	1	RESISTOR 237 ±1% .125W TKF TC=0±100	06119	D25 237 OHM
A5R407	0699-1424	1	RESISTOR 237 ±1% .125W TKF TC=0±100	06119	D25 237 OHM
A5R409	0699-1425	1	RESISTOR 261 ±1% .125W TKF TC=0±100	06119	D25 261 OHM
A5R410	0699-1425	1	RESISTOR 261 ±1% .125W TKF TC=0±100	06119	D25 261 OHM
A5R411	0699-1425	1	RESISTOR 261 ±1% .125W TKF TC=0±100	06119	D25 261 OHM
A5R413	0699-1425	1	RESISTOR 261 ±1% .125W TKF TC=0±100	06119	D25 261 OHM
A5R414	0699-1425	1	RESISTOR 261 ±1% .125W TKF TC=0±100	06119	D25 261 OHM
A5R415	0699-1425	1	RESISTOR 261 ±1% .125W TKF TC=0±100	06119	D25 261 OHM
A5R417	0699-1424	1	RESISTOR 237 ±1% .125W TKF TC=0±100	06119	D25 237 OHM
A5R418	0699-1424	1	RESISTOR 237 ±1% .125W TKF TC=0±100	06119	D25 237 OHM
A5R419	0699-1424	1	RESISTOR 237 ±1% .125W TKF TC=0±100	06119	D25 237 OHM
A5R421	0699-1424	1	RESISTOR 237 ±1% .125W TKF TC=0±100	06119	D25 237 OHM
A5R422	0699-1424	1	RESISTOR 237 ±1% .125W TKF TC=0±100	06119	D25 237 OHM
A5R423	0699-1424	1	RESISTOR 237 ±1% .125W TKF TC=0±100	06119	D25 237 OHM
A5R425	0699-1425	1	RESISTOR 261 ±1% .125W TKF TC=0±100	06119	D25 261 OHM
A5R426	0699-1425	1	RESISTOR 261 ±1% .125W TKF TC=0±100	06119	D25 261 OHM
A5R427	0699-1425	1	RESISTOR 261 ±1% .125W TKF TC=0±100	06119	D25 261 OHM
A5R429	0699-1425	1	RESISTOR 261 ±1% .125W TKF TC=0±100	06119	D25 261 OHM
A5R430	0699-1425	1	RESISTOR 261 ±1% .125W TKF TC=0±100	06119	D25 261 OHM
A5R431	0699-1425	1	RESISTOR 261 ±1% .125W TKF TC=0±100	06119	D25 261 OHM
A5R433	0699-1424	1	RESISTOR 237 ±1% .125W TKF TC=0±100	06119	D25 237 OHM
A5R434	0699-1424	1	RESISTOR 237 ±1% .125W TKF TC=0±100	06119	D25 237 OHM
A5R435	0699-1424	1	RESISTOR 237 ±1% .125W TKF TC=0±100	06119	D25 237 OHM
A5R437	0699-1424	1	RESISTOR 237 ±1% .125W TKF TC=0±100	06119	D25 237 OHM
A5R438	0699-1424	1	RESISTOR 237 ±1% .125W TKF TC=0±100	06119	D25 237 OHM
A5R439	0699-1424	1	RESISTOR 237 ±1% .125W TKF TC=0±100	06119	D25 237 OHM
A5R441	0699-1425	1	RESISTOR 261 ±1% .125W TKF TC=0±100	06119	D25 261 OHM
A5R442	0699-1425	1	RESISTOR 261 ±1% .125W TKF TC=0±100	06119	D25 261 OHM
A5R443	0699-1425	1	RESISTOR 261 ±1% .125W TKF TC=0±100	06119	D25 261 OHM
A5R445	0699-1425	1	RESISTOR 261 ±1% .125W TKF TC=0±100	06119	D25 261 OHM
A5R446	0699-1425	1	RESISTOR 261 ±1% .125W TKF TC=0±100	06119	D25 261 OHM
A5R447	0699-1425	1	RESISTOR 261 ±1% .125W TKF TC=0±100	06119	D25 261 OHM
A5R448	0699-1417	1	RESISTOR 121 ±1% .125W TKF TC=0±100	06119	D25 121 OHM
A5R449	0699-1417	1	RESISTOR 121 ±1% .125W TKF TC=0±100	06119	D25 121 OHM
A5R450	0699-1426	1	RESISTOR 287 ±1% .125W TKF TC=0±100	06119	D25 287 OHM
A5R451	0699-1426	1	RESISTOR 287 ±1% .125W TKF TC=0±100	06119	D25 287 OHM

**Replaceable Parts List for A5 Receiver Assembly, Part Number 08711-60105 (11 of 13)**

Reference Designation	HP Part Number	Qty	Description	Mfr Code	Mfr Part Number
ASR452	0699-1358	1	RESISTOR 38.3 ±1% .125W TKF TC=0±100	06119	D25 38.3 OHM
ASR453	0699-1426	1	RESISTOR 287 ±1% .125W TKF TC=0±100	06119	D25 287 OHM
ASR454	0699-1426	1	RESISTOR 287 ±1% .125W TKF TC=0±100	06119	D25 287 OHM
ASR455	0699-1385	1	RESISTOR 5.11K ±1% .125W TKF TC=0±100	06119	D25 5.11K OHM
ASR456	0699-1424	1	RESISTOR 237 ±1% .125W TKF TC=0±100	06119	D25 237 OHM
ASR457	0699-1385	1	RESISTOR 5.11K ±1% .125W TKF TC=0±100	06119	D25 5.11K OHM
ASR458	0699-1391	1	RESISTOR 10K ±1% .125W TKF TC=0±100	06119	D25 10K OHM
ASR459	0699-1361	1	RESISTOR 51.1 ±1% .125W TKF TC=0±100	06119	D25 51.1 OHM
ASR460	0699-1391	1	RESISTOR 10K ±1% .125W TKF TC=0±100	06119	D25 10K OHM
ASR461	0699-1361	1	RESISTOR 51.1 ±1% .125W TKF TC=0±100	06119	D25 51.1 OHM
ASR471	0699-1383	1	RESISTOR 4.22K ±1% .125W TKF TC=0±100	06119	D25 4.22K OHM
ASR472	0699-1376	1	RESISTOR 2.15K ±1% .125W TKF TC=0±100	06119	D25 2.15K OHM
ASR474	0699-1345	1	RESISTOR 11 ±1% .125W TKF TC=0±100	06119	D25 11 OHM
ASR475	0699-1345	1	RESISTOR 11 ±1% .125W TKF TC=0±100	06119	D25 11 OHM
ASR476	0699-1345	1	RESISTOR 11 ±1% .125W TKF TC=0±100	06119	D25 11 OHM
ASR477	0699-1345	1	RESISTOR 11 ±1% .125W TKF TC=0±100	06119	D25 11 OHM
ASR478	0699-1425	1	RESISTOR 261 ±1% .125W TKF TC=0±100	06119	D25 261 OHM
ASR479	0699-1376	1	RESISTOR 2.15K ±1% .125W TKF TC=0±100	06119	D25 2.15K OHM
ASR480	0699-1424	1	RESISTOR 237 ±1% .125W TKF TC=0±100	06119	D25 237 OHM
ASR481	0699-1375	1	RESISTOR 1.96K ±1% .125W TKF TC=0±100	06119	D25 1.96K OHM
ASR482	0699-1391	1	RESISTOR 10K ±1% .125W TKF TC=0±100	06119	D25 10K OHM
ASR483	0699-1391	1	RESISTOR 10K ±1% .125W TKF TC=0±100	06119	D25 10K OHM
ASR484	0699-1414	1	RESISTOR 90.9K ±1% .125W TKF TC=0±100	06119	D25 90.9K OHM
ASR485	0699-1435	1	RESISTOR 681 ±1% .125W TKF TC=0±100	06119	D25 681 OHM
ASR486	0699-1435	1	RESISTOR 681 ±1% .125W TKF TC=0±100	06119	D25 681 OHM
ASR487	0699-1414	1	RESISTOR 90.9K ±1% .125W TKF TC=0±100	06119	D25 90.9K OHM
ASR488	0699-1435	1	RESISTOR 681 ±1% .125W TKF TC=0±100	06119	D25 681 OHM
ASR489	0699-1435	1	RESISTOR 681 ±1% .125W TKF TC=0±100	06119	D25 681 OHM
ASR491	0699-1391	1	RESISTOR 10K ±1% .125W TKF TC=0±100	06119	D25 10K OHM
ASR492	0699-1372	1	RESISTOR 1.47K ±1% .125W TKF TC=0±100	06119	D25 1.47K OHM
ASR494	0699-1375	1	RESISTOR 1.96K ±1% .125W TKF TC=0±100	06119	D25 1.96K OHM
ASR495	0699-1424	1	RESISTOR 237 ±1% .125W TKF TC=0±100	06119	D25 237 OHM
ASR496	0699-1424	1	RESISTOR 237 ±1% .125W TKF TC=0±100	06119	D25 237 OHM
ASR497	0699-1375	1	RESISTOR 1.96K ±1% .125W TKF TC=0±100	06119	D25 1.96K OHM
ASR498	0699-1391	1	RESISTOR 10K ±1% .125W TKF TC=0±100	06119	D25 10K OHM
ASR499	0699-1385	1	RESISTOR 5.11K ±1% .125W TKF TC=0±100	06119	D25 5.11K OHM
ASR500	0699-1378	1	RESISTOR 2.61K ±1% .125W TKF TC=0±100	06119	D25 2.61K OHM
ASR501	0699-2490	1	RESISTOR 1K ±0.1% .125W TF TC=0±25	02499	W1206R031001BT
ASR502	0699-1415	1	RESISTOR 100 ±1% .125W TKF TC=0±100	06119	D25 100 OHM
ASR503	0699-1444	1	RESISTOR 178K ±1% .125W TKF TC=0±100	06119	D25 178K OHM
ASR504	0699-2490	1	RESISTOR 1K ±0.1% .125W TF TC=0±25	02499	W1206R031001BT
ASR505	0699-1318	1	RESISTOR 1K ±1% .125W TKF TC=0±100	06119	D25 1K OHM
ASR506	0699-1318	1	RESISTOR 1K ±1% .125W TKF TC=0±100	06119	D25 1K OHM
ASR507	0699-1330	1	RESISTOR 100K ±1% .125W TKF TC=0±100	06119	D25 100K OHM
ASR508	0699-1318	1	RESISTOR 1K ±1% .125W TKF TC=0±100	06119	D25 1K OHM
ASR509	0699-1318	1	RESISTOR 1K ±1% .125W TKF TC=0±100	06119	D25 1K OHM
ASR510	0699-1330	1	RESISTOR 100K ±1% .125W TKF TC=0±100	06119	D25 100K OHM
ASR511	0699-1417	1	RESISTOR 121 ±1% .125W TKF TC=0±100	06119	D25 121 OHM
ASR512	0699-1417	1	RESISTOR 121 ±1% .125W TKF TC=0±100	06119	D25 121 OHM
ASR513	0699-1426	1	RESISTOR 287 ±1% .125W TKF TC=0±100	06119	D25 287 OHM
ASR514	0699-1362	1	RESISTOR 56.2 ±1% .125W TKF TC=0±100	06119	D25 56.2 OHM
ASR515	0699-1362	1	RESISTOR 56.2 ±1% .125W TKF TC=0±100	06119	D25 56.2 OHM
ASR516	0699-1785	1	RESISTOR 13.3K ±1% .125W TKF TC=0±100	06119	D25 13.3K OHM
ASR517	0699-1320	1	RESISTOR 19.6K ±1% .125W TKF TC=0±100	06119	D25 19.6K OHM
ASR518	0699-1320	1	RESISTOR 19.6K ±1% .125W TKF TC=0±100	06119	D25 19.6K OHM
ASR519	0699-1385	1	RESISTOR 5.11K ±1% .125W TKF TC=0±100	06119	D25 5.11K OHM
ASR520	0699-1385	1	RESISTOR 5.11K ±1% .125W TKF TC=0±100	06119	D25 5.11K OHM
ASR521	0699-1385	1	RESISTOR 5.11K ±1% .125W TKF TC=0±100	06119	D25 5.11K OHM
ASR522	0699-1424	1	RESISTOR 237 ±1% .125W TKF TC=0±100	06119	D25 237 OHM
ASR523	0699-1375	1	RESISTOR 1.96K ±1% .125W TKF TC=0±100	06119	D25 1.96K OHM
ASR524	0699-1318	1	RESISTOR 1K ±1% .125W TKF TC=0±100	06119	D25 1K OHM
ASR525	0699-1318	1	RESISTOR 1K ±1% .125W TKF TC=0±100	06119	D25 1K OHM
ASR526	0699-1318	1	RESISTOR 1K ±1% .125W TKF TC=0±100	06119	D25 1K OHM
ASR527	0699-1318	1	RESISTOR 1K ±1% .125W TKF TC=0±100	06119	D25 1K OHM
ASR530	0699-1394	1	RESISTOR 14.7K ±1% .125W TKF TC=0±100	06119	D25 14.7K OHM
ASR531	0699-1394	1	RESISTOR 14.7K ±1% .125W TKF TC=0±100	06119	D25 14.7K OHM
A5TP1	1251-0600	1	CONNECTOR-SGL CONT PIN 1.14-MM-BSC-SZ SQ	03418	16-06-0034

**Replaceable Parts List for A5 Receiver Assembly, Part Number 08711-60105 (12 of 13)**

Reference Designation	HP Part Number	Qty	Description	Mfr Code	Mfr Part Number
A5TP2	1251-0600	1	CONNECTOR-SGL CONT PIN 1.14-MM-BSC-SZ SQ	03418	16-06-0034
A5TP3	1251-0600	1	CONNECTOR-SGL CONT PIN 1.14-MM-BSC-SZ SQ	03418	16-06-0034
A5TP4	1251-0600	1	CONNECTOR-SGL CONT PIN 1.14-MM-BSC-SZ SQ	03418	16-06-0034
A5TP5	1251-0600	1	CONNECTOR-SGL CONT PIN 1.14-MM-BSC-SZ SQ	03418	16-06-0034
A5TP6	1251-0600	1	CONNECTOR-SGL CONT PIN 1.14-MM-BSC-SZ SQ	03418	16-06-0034
A5TP7	1251-0600	1	CONNECTOR-SGL CONT PIN 1.14-MM-BSC-SZ SQ	03418	16-06-0034
A5TP8	1251-0600	1	CONNECTOR-SGL CONT PIN 1.14-MM-BSC-SZ SQ	03418	16-06-0034
A5TP9	1251-0600	1	CONNECTOR-SGL CONT PIN 1.14-MM-BSC-SZ SQ	03418	16-06-0034
A5TP10	1251-0600	1	CONNECTOR-SGL CONT PIN 1.14-MM-BSC-SZ SQ	03418	16-06-0034
A5TP11	1251-0600	1	CONNECTOR-SGL CONT PIN 1.14-MM-BSC-SZ SQ	03418	16-06-0034
A5TP12	1251-0600	1	CONNECTOR-SGL CONT PIN 1.14-MM-BSC-SZ SQ	03418	16-06-0034
A5TP13	1251-0600	1	CONNECTOR-SGL CONT PIN 1.14-MM-BSC-SZ SQ	03418	16-06-0034
A5TP14	1251-0600	1	CONNECTOR-SGL CONT PIN 1.14-MM-BSC-SZ SQ	03418	16-06-0034
A5TP15	1251-0600	1	CONNECTOR-SGL CONT PIN 1.14-MM-BSC-SZ SQ	03418	16-06-0034
A5TP16	1251-0600	1	CONNECTOR-SGL CONT PIN 1.14-MM-BSC-SZ SQ	03418	16-06-0034
A5TP17	1251-0600	1	CONNECTOR-SGL CONT PIN 1.14-MM-BSC-SZ SQ	03418	16-06-0034
A5TP18	1251-0600	1	CONNECTOR-SGL CONT PIN 1.14-MM-BSC-SZ SQ	03418	16-06-0034
A5TP19	1251-0600	1	CONNECTOR-SGL CONT PIN 1.14-MM-BSC-SZ SQ	03418	16-06-0034
A5TP20	1251-0600	1	CONNECTOR-SGL CONT PIN 1.14-MM-BSC-SZ SQ	03418	16-06-0034
ASU1	1826-2349	1	IC RF/IF AMPL LOW-NOISE 4 PIN	03291	INA-10386
ASU2	1826-2168	1	IC RF/IF AMPL HIGH-GAIN SINGLE 4 PIN	03291	MSA-0486
ASU3	1826-1804	1	IC OP AMP LOW-NOISE 8 PIN DIP-P		
ASU4	1826-2349	1	IC RF/IF AMPL LOW-NOISE 4 PIN	03291	INA-10386
ASU5	1826-2168	1	IC RF/IF AMPL HIGH-GAIN SINGLE 4 PIN	03291	MSA-0486
ASU6	1826-1804	1	IC OP AMP LOW-NOISE 8 PIN DIP-P		
ASU7	1826-2190	1	IC OP AMP LOW-NOISE DUAL 8 PIN DIP-C		
ASU8	1826-2349	1	IC RF/IF AMPL LOW-NOISE 4 PIN	03291	INA-10386
ASU9	1826-2168	1	IC RF/IF AMPL HIGH-GAIN SINGLE 4 PIN	03291	MSA-0486
ASU10	1826-1804	1	IC OP AMP LOW-NOISE 8 PIN DIP-P		
ASU11	1826-2190	1	IC OP AMP LOW-NOISE DUAL 8 PIN DIP-C		
ASU12	1826-1365	1	IC TEMP XDCR 3 PIN TO-92		
ASU13	1826-2144	1	IC OP AMP LOW-NOISE SINGLE 8 PIN		
ASU14	1826-2145	1	ANALOG SWITCH 4 SPST 16 -P-SOIC		
ASU15	1826-1178	1	SAMPLE AND HOLD 14 -CERDIP		
ASU16	1826-2190	1	IC OP AMP LOW-NOISE DUAL 8 PIN DIP-C		
ASU17	1826-2145	1	ANALOG SWITCH 4 SPST 16 -P-SOIC		
ASU18	1826-1546	1	IC OP AMP LOW-NOISE DUAL 8 PIN		
ASU19	1826-1844	1	IC OP AMP HS 8 PIN DIP-C		
ASU20	1826-2145	1	ANALOG SWITCH 4 SPST 16 -P-SOIC		
ASU21	1826-2145	1	ANALOG SWITCH 4 SPST 16 -P-SOIC		
ASU22	1826-2145	1	ANALOG SWITCH 4 SPST 16 -P-SOIC		
ASU23	1826-1402	1	IC V RGLTR-FXD-POS 4.8/5.2V 8-P-SOIC PKG		
ASU24	1820-4966	1	IC FF CMOS/HC D-TYPE POS-EDGE-TRIG		
ASU25	1820-6128	1	IC CNTR CMOS/HC BIN SYNC/ASYN		
ASU26	1826-2144	1	IC OP AMP LOW-NOISE SINGLE 8 PIN		
ASU27	1826-2145	1	ANALOG SWITCH 4 SPST 16 -P-SOIC		
ASU28	1826-1178	1	SAMPLE AND HOLD 14 -CERDIP		
ASU29	1826-2190	1	IC OP AMP LOW-NOISE DUAL 8 PIN DIP-C		
ASU30	1826-2145	1	ANALOG SWITCH 4 SPST 16 -P-SOIC		
ASU31	1826-1546	1	IC OP AMP LOW-NOISE DUAL 8 PIN		
ASU32	1826-1844	1	IC OP AMP HS 8 PIN DIP-C		
ASU33	1826-2145	1	ANALOG SWITCH 4 SPST 16 -P-SOIC		
ASU34	1826-2145	1	ANALOG SWITCH 4 SPST 16 -P-SOIC		
ASU35	1826-2145	1	ANALOG SWITCH 4 SPST 16 -P-SOIC		
ASU36	1826-1402	1	IC V RGLTR-FXD-POS 4.8/5.2V 8-P-SOIC PKG		
ASU37	1820-4966	1	IC FF CMOS/HC D-TYPE POS-EDGE-TRIG		
ASU38	1820-6128	1	IC CNTR CMOS/HC BIN SYNC/ASYN		
ASU39	1826-2144	1	IC OP AMP LOW-NOISE SINGLE 8 PIN		
ASU40	1826-2145	1	ANALOG SWITCH 4 SPST 16 -P-SOIC		
ASU41	1826-1178	1	SAMPLE AND HOLD 14 -CERDIP		
ASU42	1826-2199	1	IC OP AMP HS SINGLE 8 PIN PLSTC-SOIC		
ASU43	1826-2145	1	ANALOG SWITCH 4 SPST 16 -P-SOIC		
ASU44	1826-1951	1	A/D 16-BIT 28-PLASTIC BPLR		
ASU45	1820-5220	1	IC INV CMOS/HC HEX		
ASU46	1820-4965	1	IC GATE CMOS/HC NAND QUAD 2-INP		
ASU47	1826-1841	1	IC V RGLTR-ADJ-NEG 1.2/37V 8-P-SOIC PKG		
ASU48	1826-1826	1	IC V RGLTR-ADJ-POS 1.2/37V 8-P-SOIC PKG		

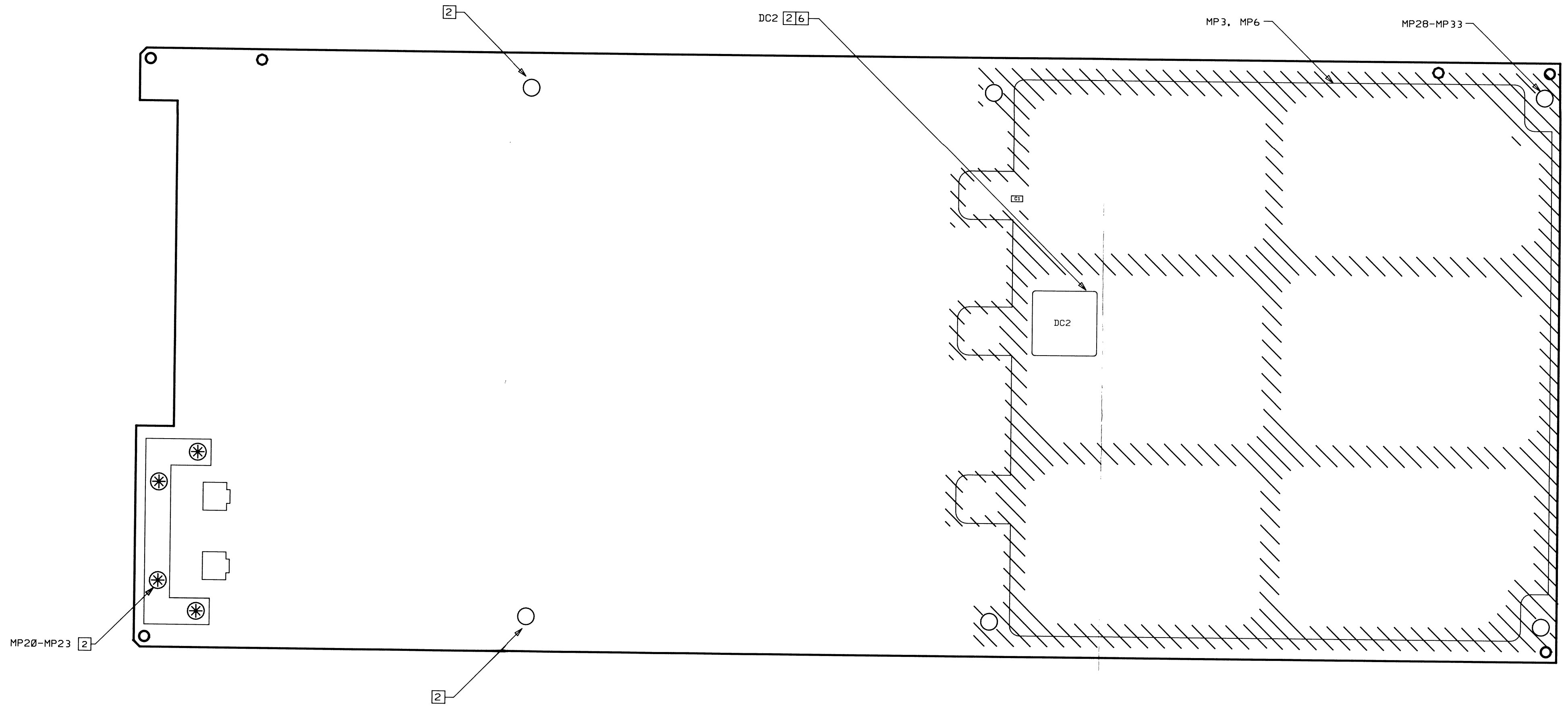
**Replaceable Parts List for A5 Receiver Assembly, Part Number 08711-60105 (13 of 13)**

Reference Designation	HP Part Number	Qty	Description	Mfr Code	Mfr Part Number
A5U49	1826-1402	1	IC V RGLTR-FXD-POS 4.8/5.2V 8-P-SOIC PKG		
A5U50	1826-0122	1	IC V RGLTR-FXD-POS 4.8/5.2V TO-220 PKG		
A5U51	1826-1826	1	IC V RGLTR-ADJ-POS 1.2/37V 8-P-SOIC PKG		
A5U52	1826-1862	1	IC OP AMP LOW-BIAS-H-IMPED DUAL 8 PIN		
A5U53	1826-1899	1	D/A 12-BIT 28-PLCC CMOS		
A5U54	1820-5732	1	IC LCH CMOS/HC D-TYPE OCTL		
A5U55	1826-1862	1	IC OP AMP LOW-BIAS-H-IMPED DUAL 8 PIN		
A5U56	1820-5808	1	IC FF CMOS/HC D-TYPE POS-EDGE-TRIG COM		
A5U58	1820-4215	1	IC DCDR CMOS/HC BIN 3-TO-8-LINE		
A5U59	1820-5808	1	IC FF CMOS/HC D-TYPE POS-EDGE-TRIG COM		
A5U60	1820-5732	1	IC LCH CMOS/HC D-TYPE OCTL		
A5U61	1820-4215	1	IC DCDR CMOS/HC BIN 3-TO-8-LINE		
A5U62	1820-5808	1	IC FF CMOS/HC D-TYPE POS-EDGE-TRIG COM		
A5U63	1820-5808	1	IC FF CMOS/HC D-TYPE POS-EDGE-TRIG COM		
A5U64	1820-4966	1	IC FF CMOS/HC D-TYPE POS-EDGE-TRIG		
A5U65	1826-2147	1	ANALOG MULTIPLEXER 8 CHNL 16 -P-SOIC		
A5U66	1820-7230	1	IC CNTR CMOS/HC BIN SYNCHRO		
A5U67	1820-4291	1	IC GATE TTL/ALS NAND QUAD 2-INP		
A5U68	1820-5220	1	IC INV CMOS/HC HEX		
A5U69	1826-2199	1	IC OP AMP HS SINGLE 8 PIN PLSTC-SOIC		
A5U70	1826-2145	1	ANALOG SWITCH 4 SPST 16 -P-SOIC		
A5U71	1826-1951	1	A/D 16-BIT 28-PLASTIC BPLR		
A5U72	1820-5220	1	IC INV CMOS/HC HEX		
A5U73	1820-4965	1	IC GATE CMOS/HC NAND QUAD 2-INP		
A5U74	1826-1841	1	IC V RGLTR-ADJ-NEG 1.2/37V 8-P-SOIC PKG		
A5U75	1826-1826	1	IC V RGLTR-ADJ-POS 1.2/37V 8-P-SOIC PKG		
A5U76	1826-1402	1	IC V RGLTR-FXD-POS 4.8/5.2V 8-P-SOIC PKG		
A5U77	1820-4788	1	IC DRVR TTL/ALS BUS OCTL		
A5VR1	1902-1501	1	DIODE-ZNR 5.1V 5% TO-236 (SOT-23)		
A5VR2	1902-1501	1	DIODE-ZNR 5.1V 5% TO-236 (SOT-23)		
A5W1	1258-0141	1	JUMPER-REMOVABLE FOR 0.025 IN SQ PINS	02946	65474-004
A5W2	1258-0141	1	JUMPER-REMOVABLE FOR 0.025 IN SQ PINS	02946	65474-004
A5W3	1258-0141	1	JUMPER-REMOVABLE FOR 0.025 IN SQ PINS	02946	65474-004
A5Z1	0955-0590	1	U-WAVE MIXER 2 GHZ MAX	02739	SRA-220-3
A5Z2	0955-0590	1	U-WAVE MIXER 2 GHZ MAX	02739	SRA-220-3
A5Z3	0955-0590	1	U-WAVE MIXER 2 GHZ MAX	02739	SRA-220-3

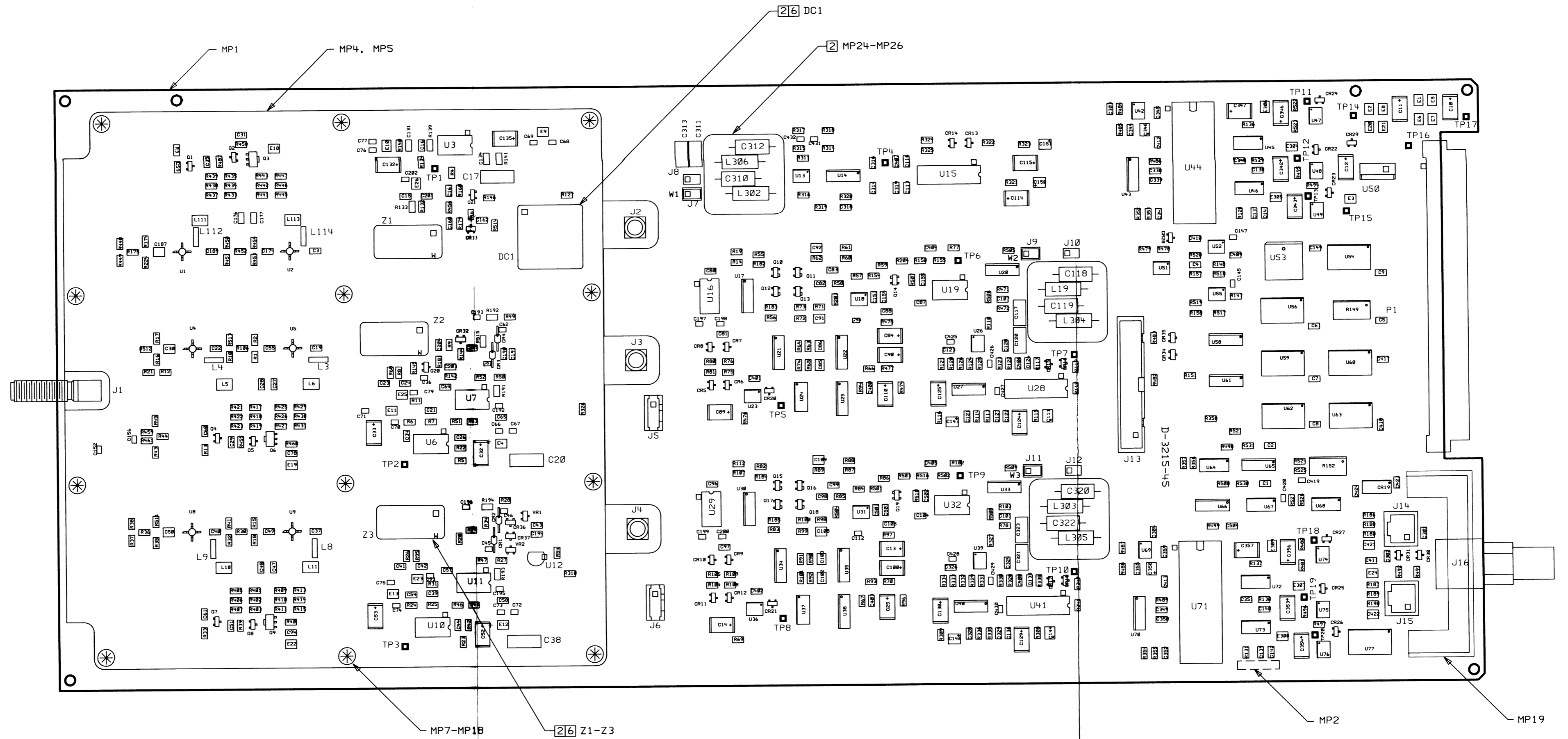




BOTTOM SIDE



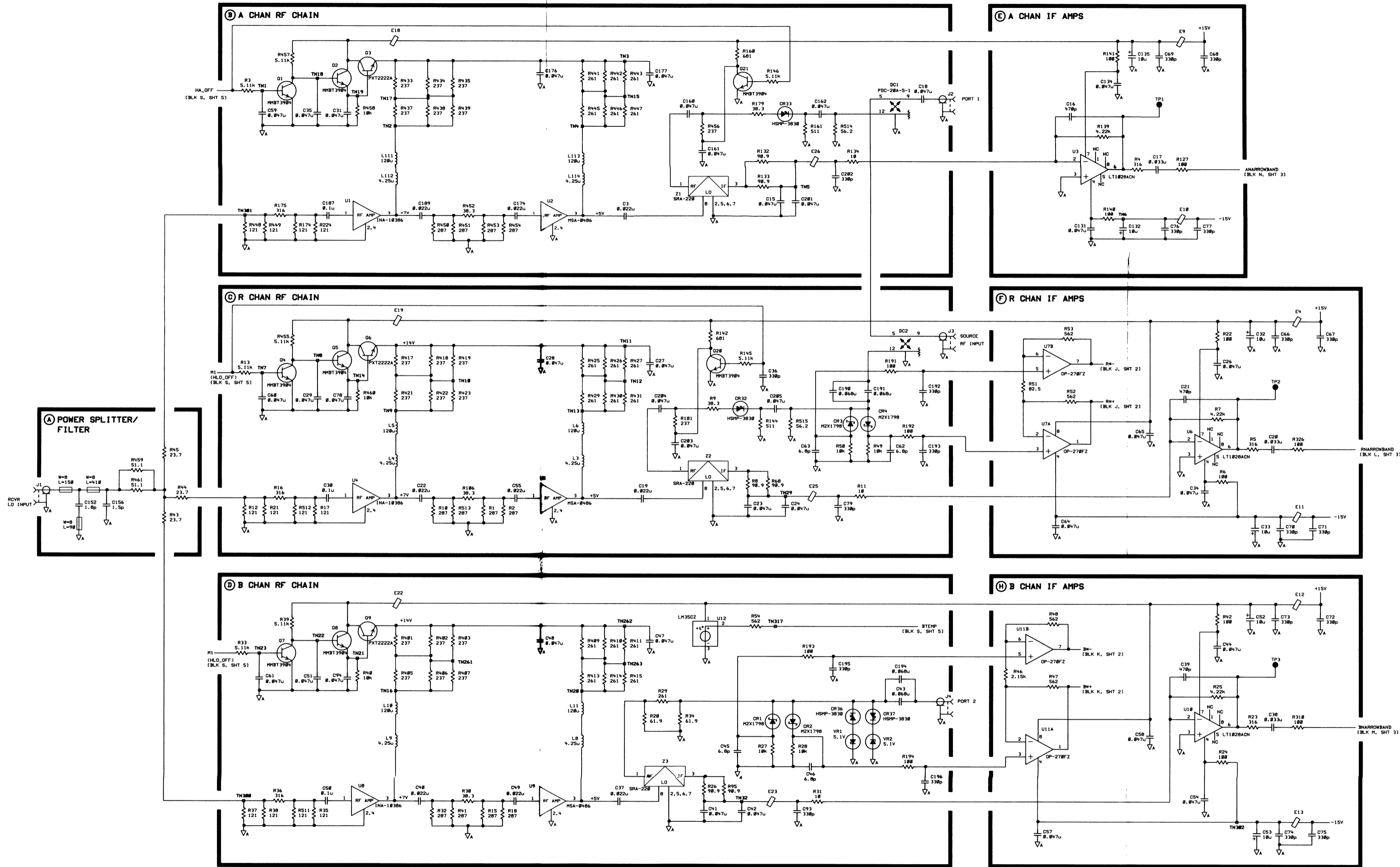
TOP SIDE



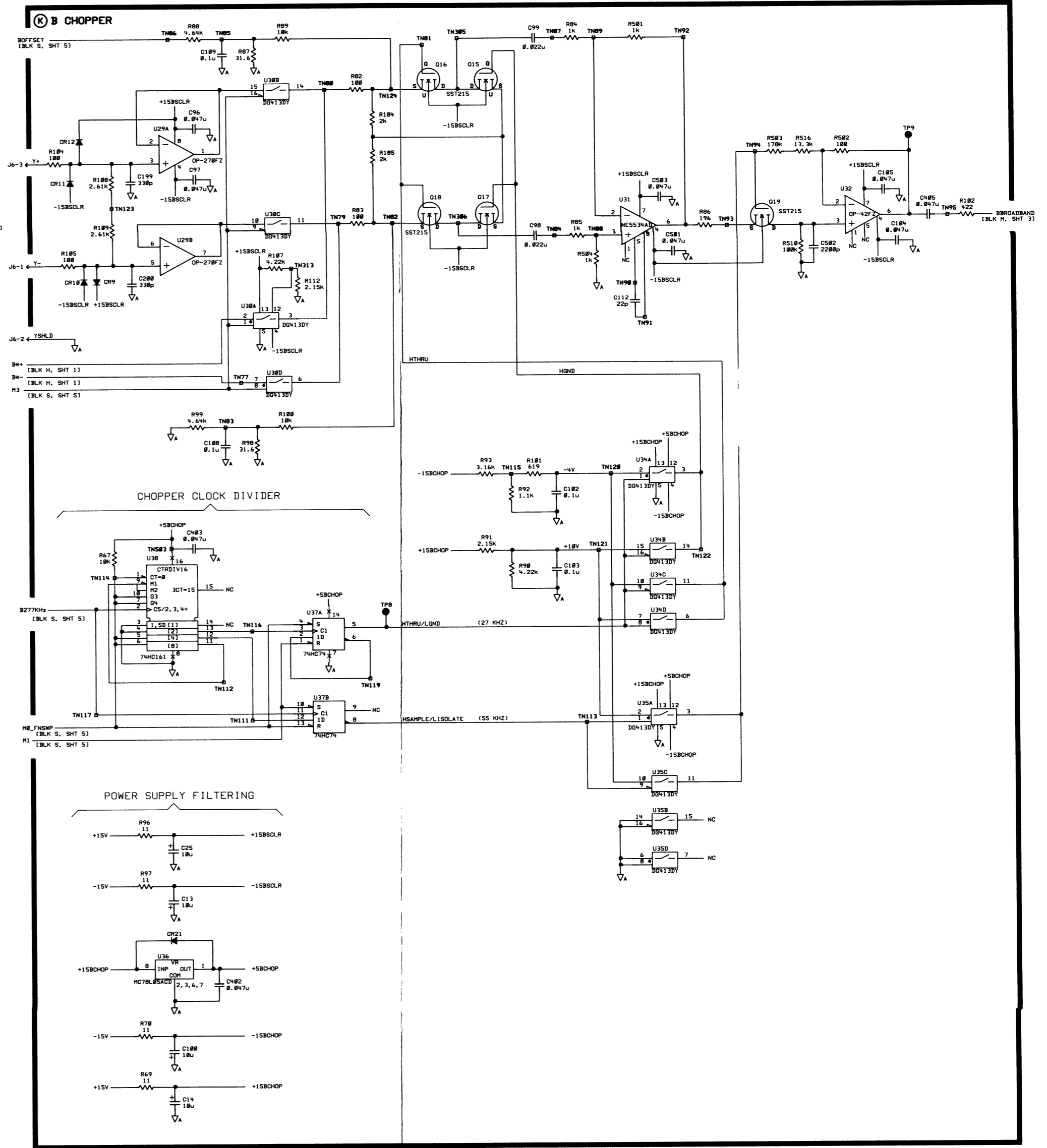
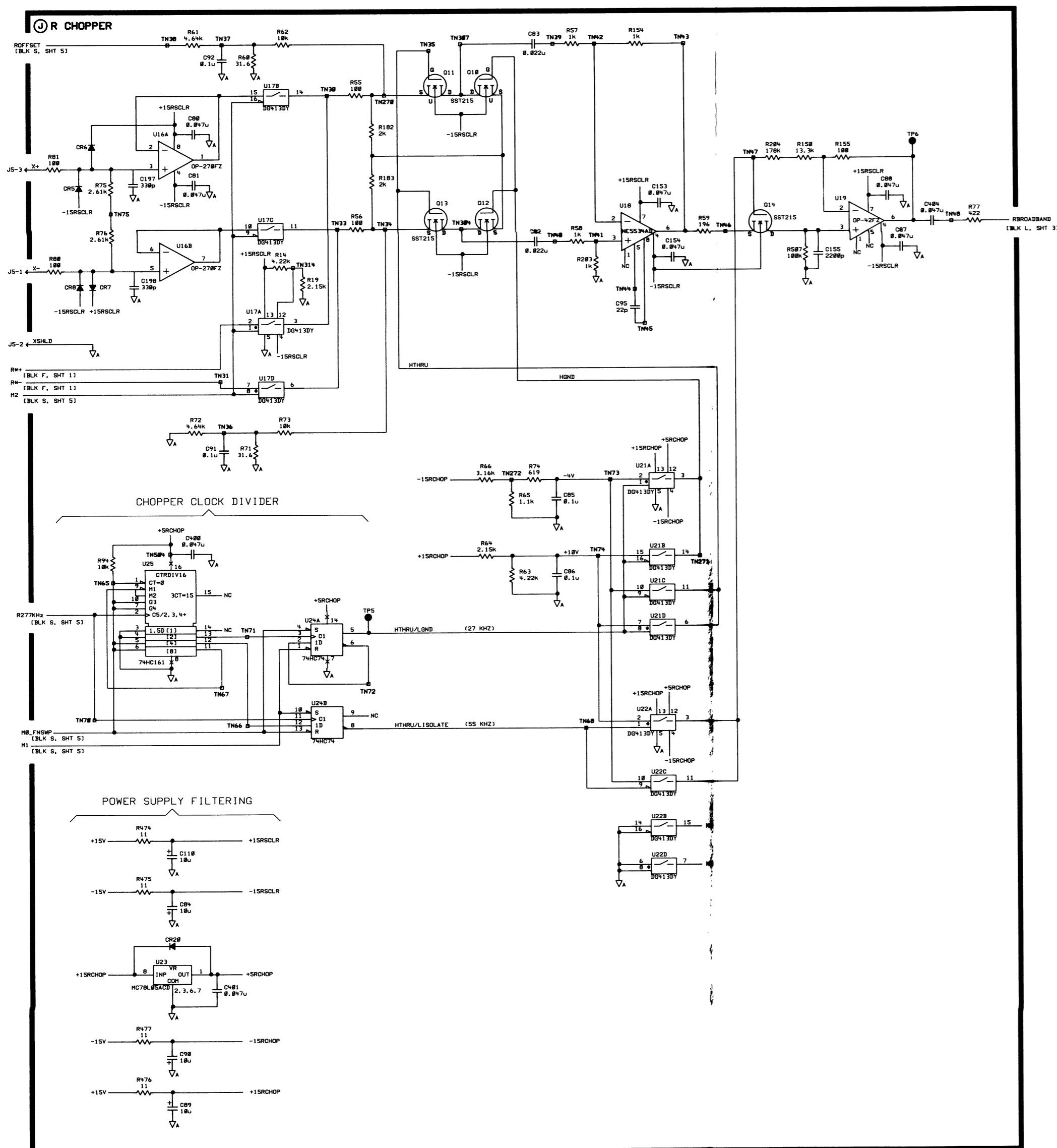
NOTES: UNLESS OTHERWISE SPECIFIED

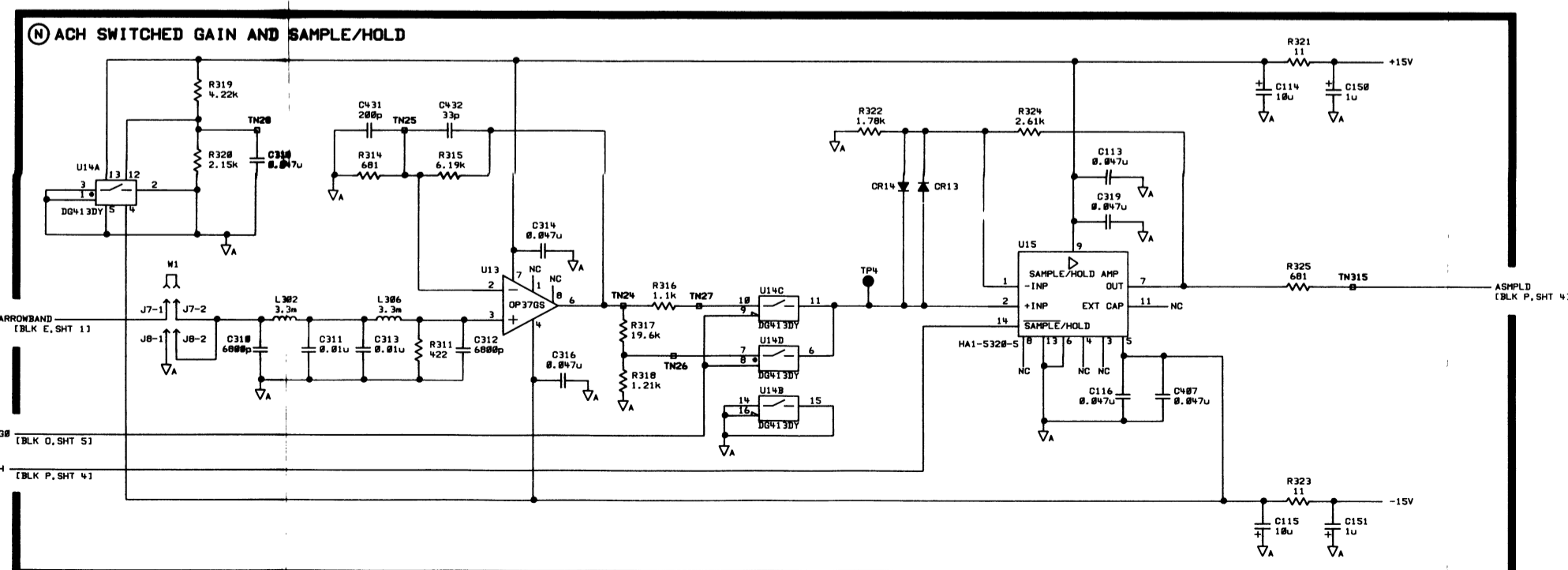
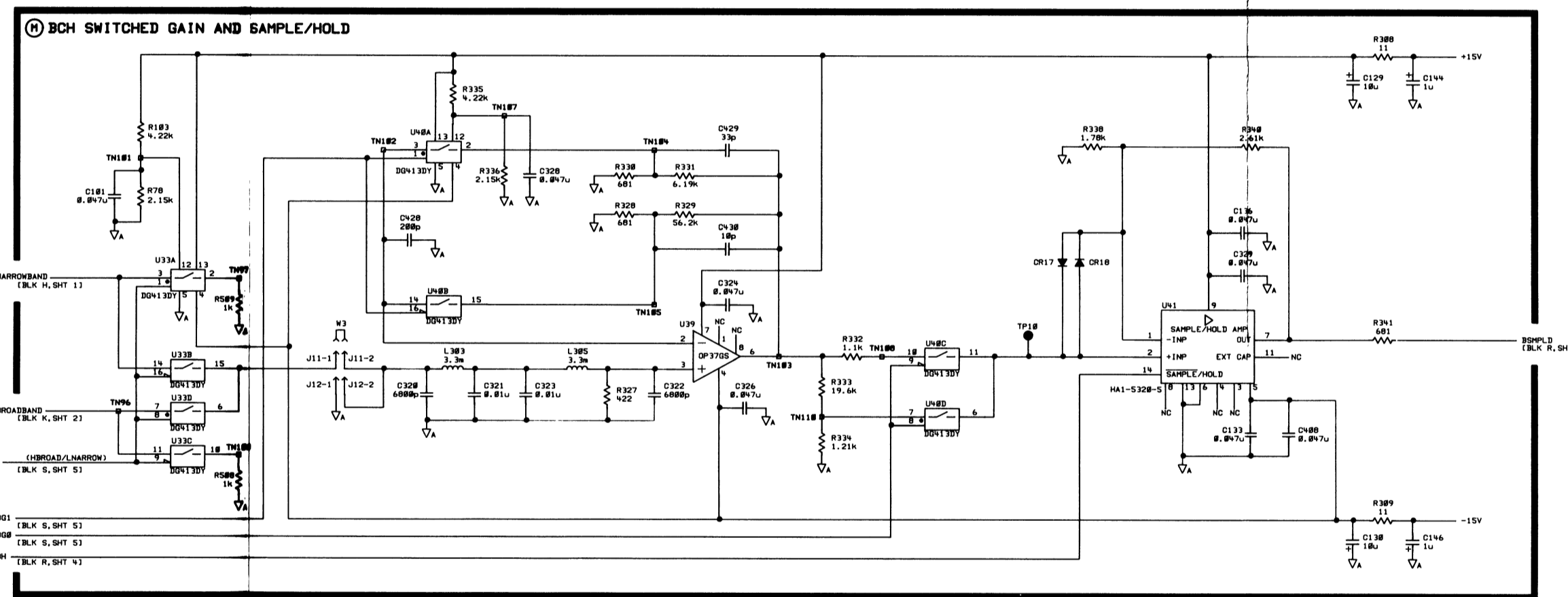
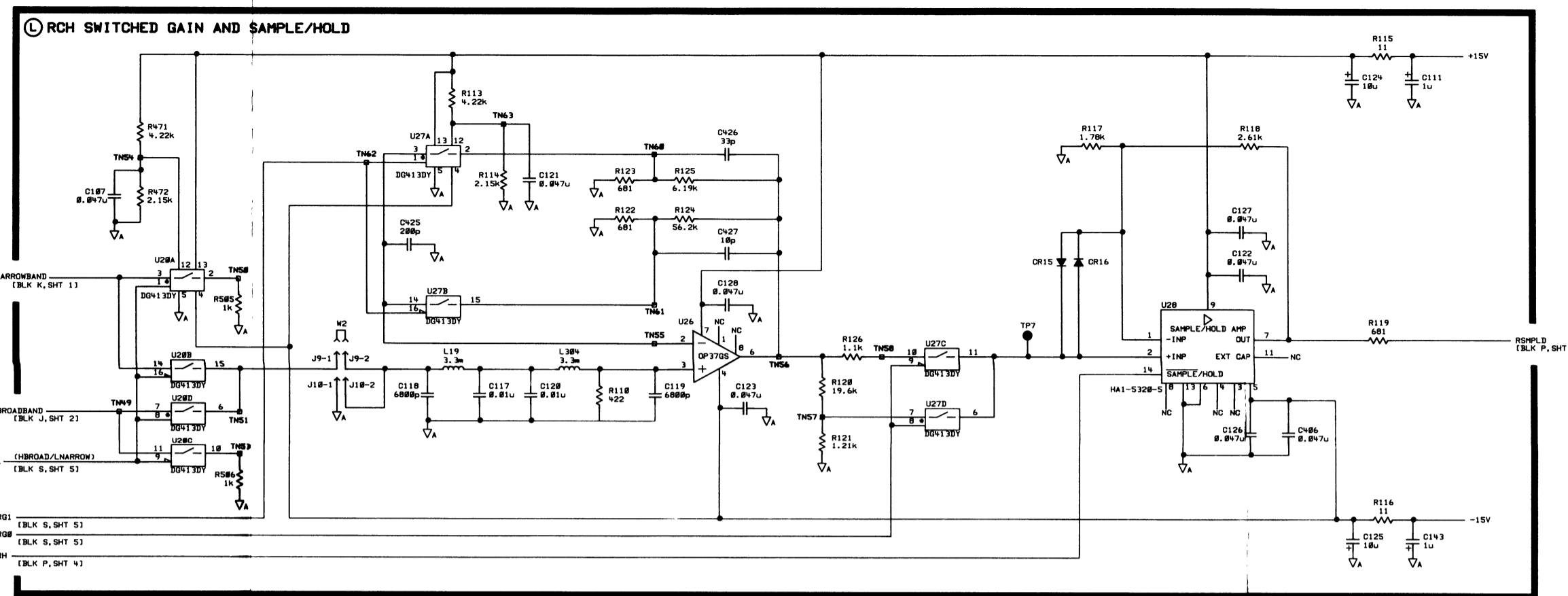
1. USE RAW BOARD PART NUMBER 08711-20105
2. MASK AREAS INDICATED BY CROSS HATCHING OR REFERENCE DESIGNATOR BEFORE FLOW SOLDER PROCESS
3. THE FOLLOWING PARTS INTENTIONALLY VIOLATE THE PART TO PART SPACING RULES:  
R312 TO C201; R161 TO C162; C62 TO CR4; C63 TO CR3; R68, R8 TO C23, C24;  
C46 TO CR2; C45 TO CR1; R16 TO RS12

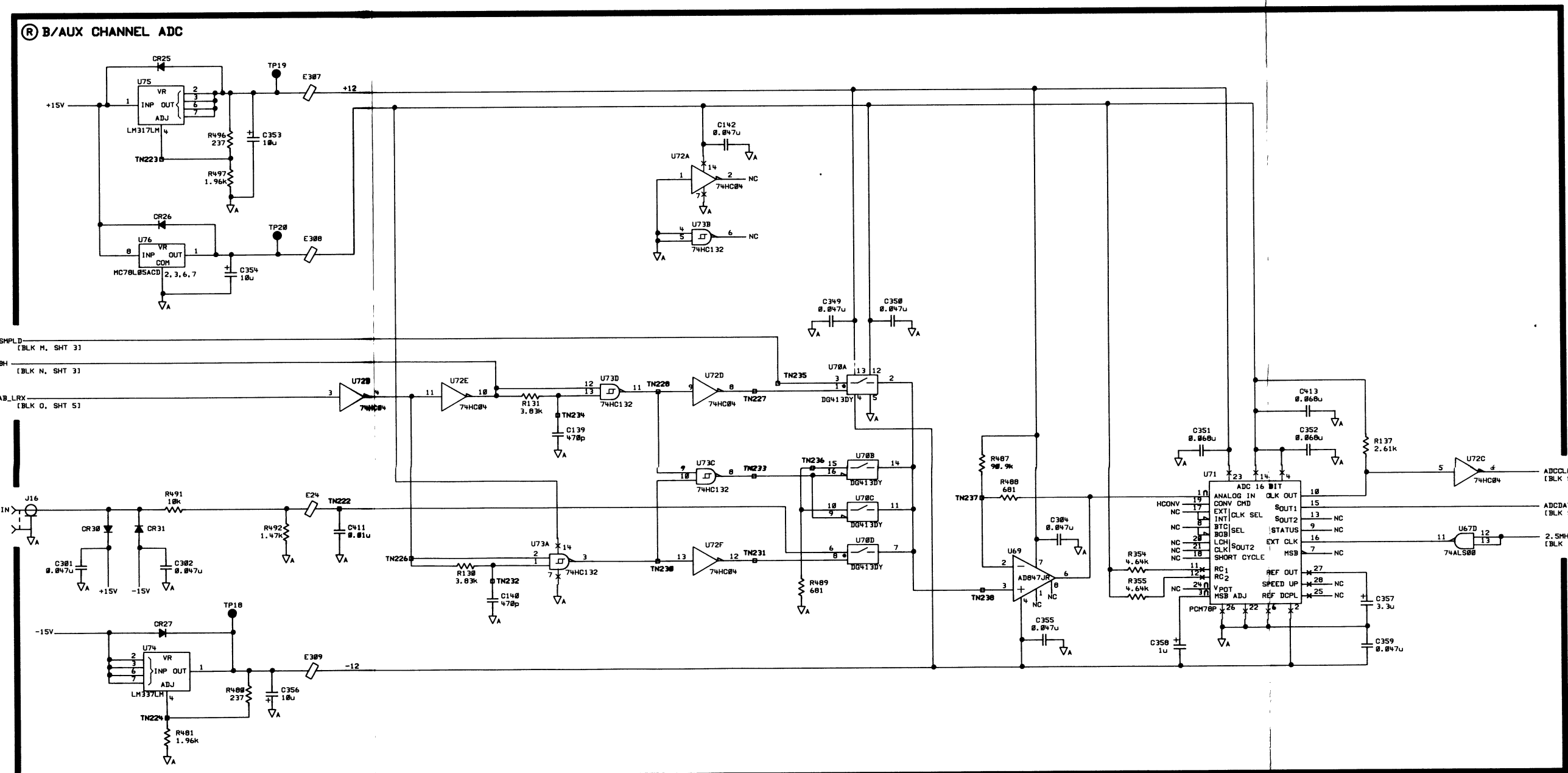
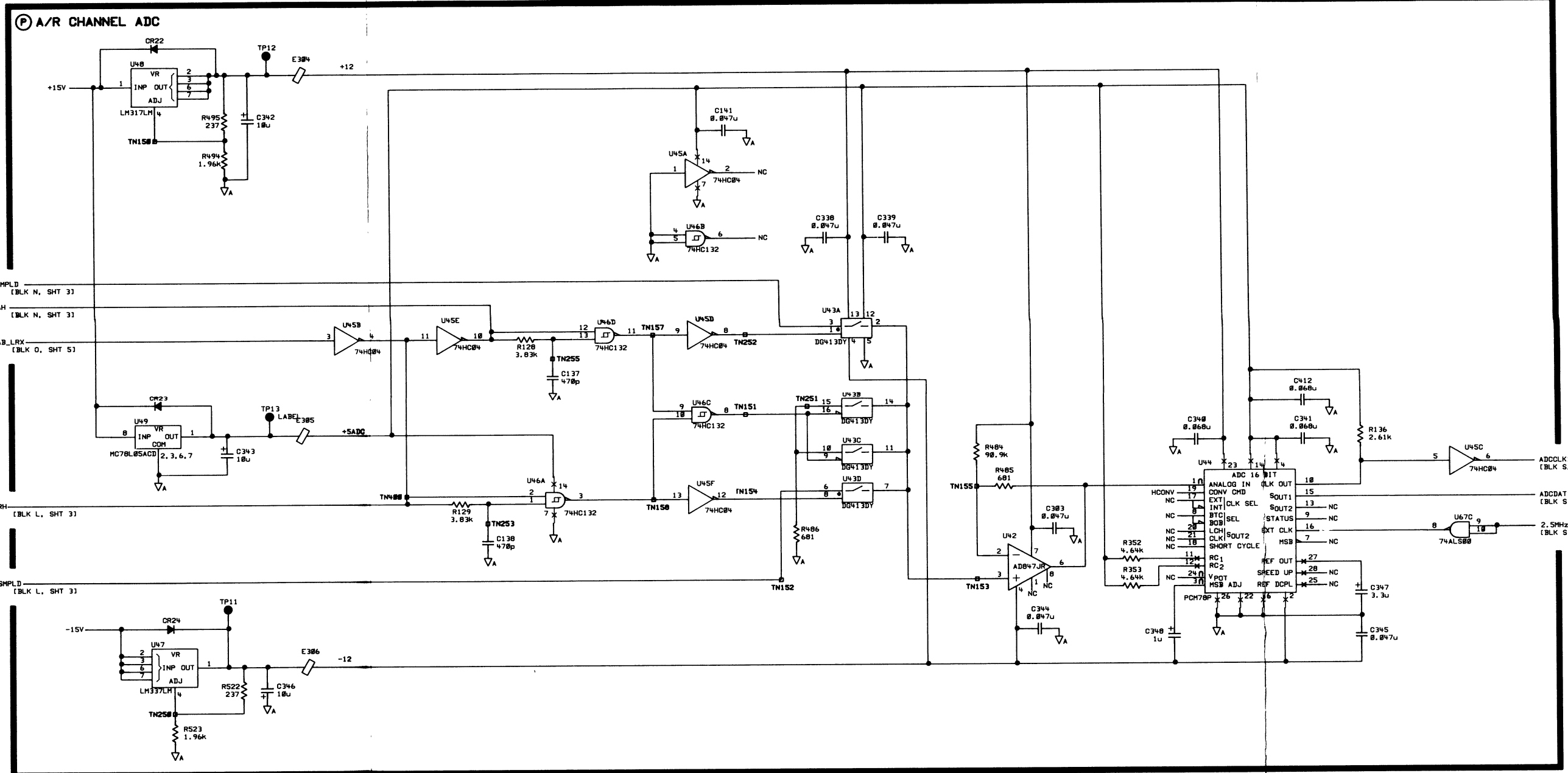
4. THE FOLLOWING PARTS ARE INTENTIONALLY PLACED ON A VIA: C45, C46
5. THE FOLLOWING PARTS ARE LOADED AT A LATER ASSEMBLY:  
J1, MP3-23
6. USE LOW TEMP SOLDER TO SOLDER CAN TO GROUND PLANE WHERE GROUND PLANE IS NOT COVERED WITH SOLDER RESIST



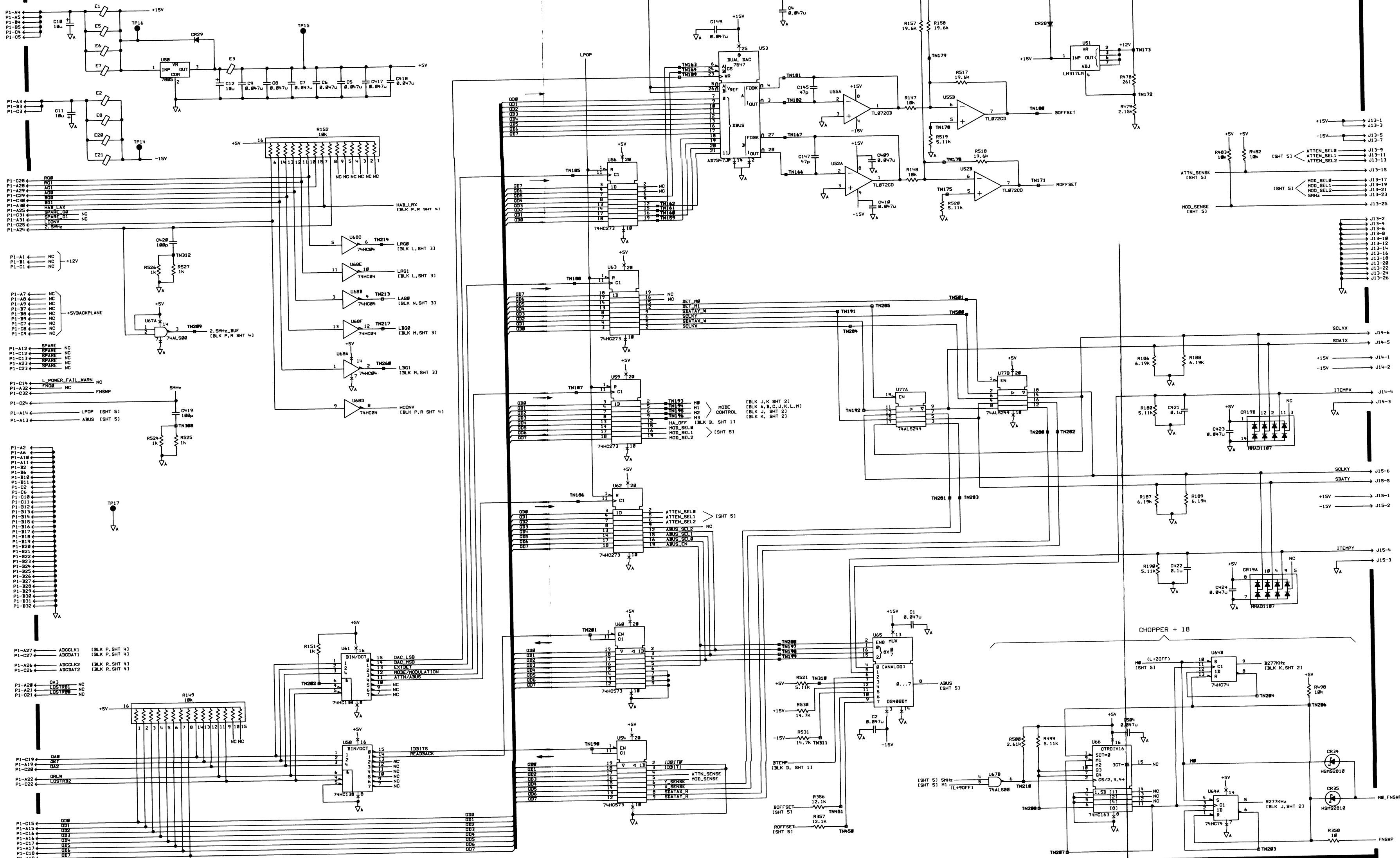
NOTES: UNLESS OTHERWISE SPECIFIED.  
 1. ALL RESISTOR VALUES ARE IN OHMS.  
 2. ALL CAPACITOR VALUES ARE IN MICROFARADS.  
 3. ALL INDUCTOR VALUES ARE IN MICROHENRIES.







5 BACKPLANE INTERFACE



OPTION INTERFACE

DETECTOR X

DETECTOR Y

DETECTOR MODE CONTROL FOR U63 (WRITE ADDR 02)

MODE	DET_M0	DET_M1
WRITE	0	0
SENSE	1	0
READ	0	1
DISABLE	1	1

MODE CONTROL FOR U59 (WRITE ADDR 03)

MODE	M0	M1	M2	M3
PWR ON	0	0	X	X
NARROWBAND	1	0	X	X
BROADBAND AC	0	1	X	X
BROADBAND DC	1	1	X	X
R #	X	X	1	X
X #	X	X	0	X
B #	X	X	X	1
Y #	X	X	X	0

# Schematic Package

## A6 Power Supply Assembly

The A6 power supply assembly consists of the following boards:

AC Input Board	5062-3415
DC Output Board	5062-3416
+15V Mag Amp Board	5062-3417
-15V Mag Amp Board	5062-3418
+12V Mag Amp Board	5062-3419
Supervisory Board	5062-3420

The two main boards are the AC input and DC output boards.  
The 3 mag amp boards are attached to the DC output board.

This section contains the replaceable parts list, component location diagram, and circuit schematic for each of these boards.

**Copyright ©1992 Hewlett-Packard Company**  
**Printed October 23, 1992**  
**Printed in USA**



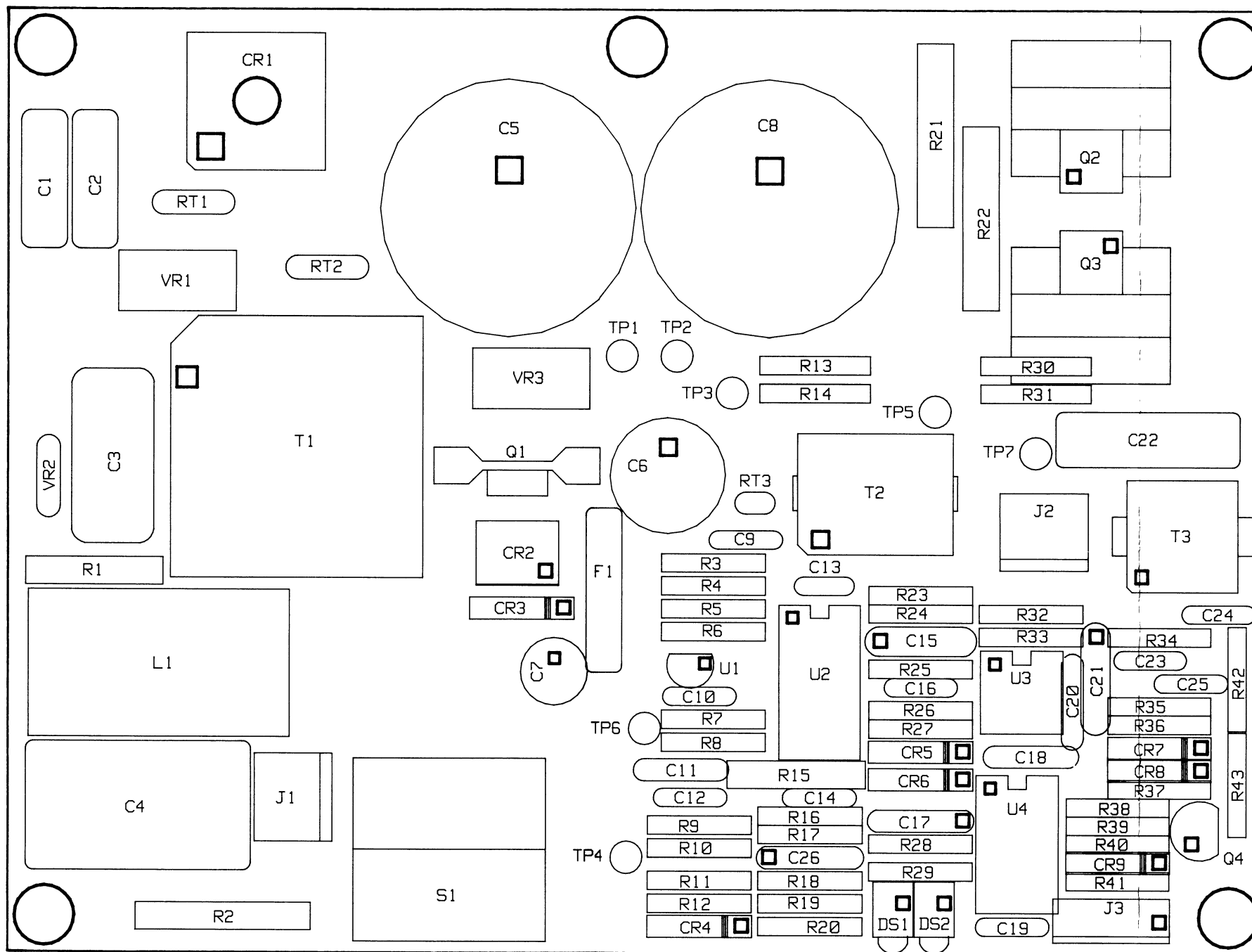


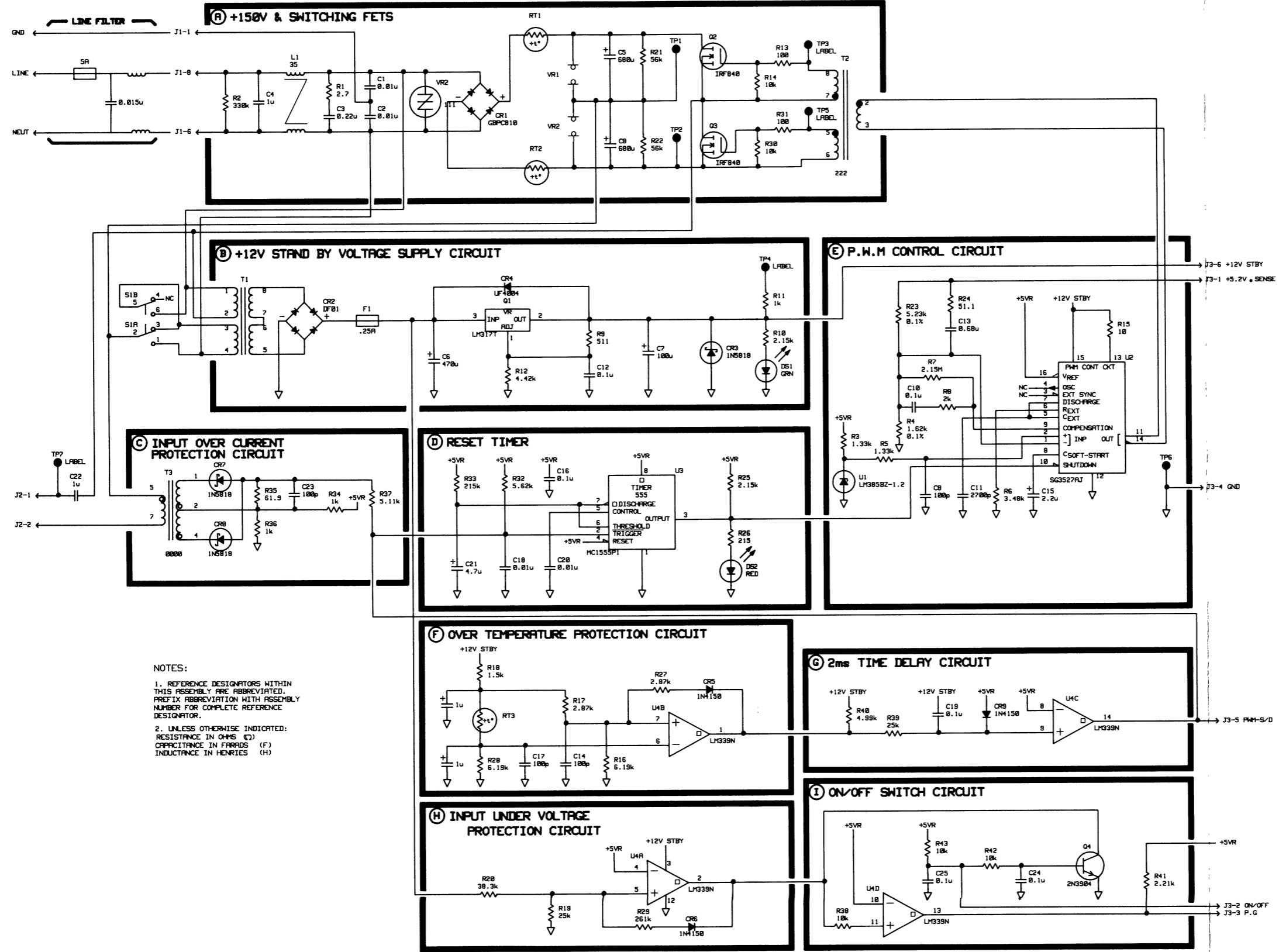
**Replaceable Parts List for Power Supply Assembly, Part Number 5062-3415 (1 of 2)**

Reference Designation	HP Part Number	Qty	Description	Mfr Code	Mfr Part Number
A6	5062-3415		AC IN		
	5021-8107	1	PCB AC-IN BOARD 160.02X130.17		
	1251-8463	2			
	0340-1158	4	INS-2HOLE 0.015TH		
A6C01	0160-4355	1	CAP-FXD 0.01 uF 250V MPAP		316-500
A6C02	0160-4355	1	CAP-FXD 0.01 uF 250V MPAP		PME271Y510
A6C03	0160-4259	1	CAP-FXD 0.22 uF 250V X2		PME 271M622
A6C04	0160-4962	1	CAP-FXD 1 uF 250V MPE		MKS4-R
A6C05	0180-4358	1	CAP-FXD 680 uF 250V ELECTROLYTIC		LGQ2E681MHSC
A6C08	0180-4358	1	CAP-FXD 680 uF 250V ELECTROLYTIC		LGQ2E681MHSC
A6C06	0180-4355	1	CAP-FXD 470 uF 50V PF AL 10SC ELE		UPF1H471MRH
A6C07	0180-3469	1	CAP-FXD 100 uF 25V KM AL 105C		KME
A6C09	0160-4801	1	CAP-FXD 100pF 100V CER		SA102A101JAAH
A6C10	0160-4835	1	CAP-FXD 0.1 uF 50V CER		SA115A104KAAH
A6C11	0160-5100	1	CAP-FXD 2700pF 100V CER		SA301A272JAAH
A6C12	0160-4835	1	CAP-FXD 0.1 uF 50V CER		SA115A104KAAH
A6C13	0160-5185	1	CAP-FXD 0.68 uF 50V		
A6C14	0160-4801	1	CAP-FXD 100pF 100V CER		SA102A101JAAH
A6C15	0180-0197	1	CAP-FXD 2.2 uF 20V TA		150D225*902A2-DYS
A6C16	0160-4835	1	CAP-FXD 0.1 uF 50V CER		SA115C104KAAH
A6C17	0160-4801	1	CAP-FXD 100pF 100V CER		SA102A101JAAH
A6C18	0160-4832	1	CAP-FXD 0.0A uF 100V CER		SA101C103KAAH
A6C19	0160-4835	1	CAP-FXD 0.A uF 50V CER		SA115C104KAAH
A6C20	0160-4832	1	CAP-FXD 0.01 uF 100V CER		SA101C103KAAH
A6C21	0180-0309	1	CAP-FXD 4.7 uF 10V TA		150D22475*0010A2-D
A6C22	0160-7363	1	CAP-FXD 1 uF 250V MPP		105K250
A6C25	0160-4835	1	CAP-FXD 0.1 uF 50V CER		SA115C104KAAH
A6C23	0160-4801	1	CAP-FXD 100pF 100VCER		SA102A101JAAH
A6C24	0160-4835	1	CAP-FXD 0.1 uF 50V CER		SA115C104KAAH
A6CR1	1906-0405	1	D-FWB 1000V 8A		GBPC810
A6CR2	1906-0284	1	D-FWB 100V 1A		DF01
A6CR5	1901-1098	1	DIODE-SW 50V 0.2A 3S		
A6CR6	1901-1098	1	DIODE-SW 50V 0.2A 3S		
A6CR7	1901-0734	1	DIODE-SCH 30V 1A 41		IN5811RL
A6CR8	1901-0734	1	DIODE-SCH 30V 1A 41		IN5818RL
A6CR9	1901-1098	1	DIODE-SW 50V 0.2A 3S		
A6CR4	1901-1149	1	DIODE-PWR RECT 400V 1A 50NS		UF4004
A6CR3	1901-1149	1	DIODE-PWR RECT 400V 1A 50NS		UF4004
A6DS01	1990-1540	1	LED RIGHT ANGLE GRN		HLMP1503#010
A6DS02	1990-1542	1	LED RIGHT ANGLE RED		HLMP1301#010
A6F1	5062-3415	1	FUSE 0.25A 125V SLO-BLO		265.375
A6J1	1252-0954	1	CONN HDR 2M 1R		09-40-1031
A6J2	1252-0954	1	CONN HDR 2M 1R		
A6J3	1251-6527	1	CONN 6P FRICT .WCK HEAD		22-04-1061
A6L1	9100-4437	1	IND-FXD L:160MH MIN		62914
A6Q1	1826-0393	1	IC 317T P1 PADJ		LM317T
A6Q2	1855-0861	1	X-N IRF840 TO220		IRF840
A6Q3	1855-0861	1	X-N IRF840 TO220		IRF840
A6Q4CD	1854-0215	1	TR NPN S1 TO-92		2N3904
A6R01	0699-0001	1	RES 2.7 10% 0.5W C.C		EB127G1
A6R02	0690-3341	1	RES 330K 10% 1W C.C		GB3341
A6R03	0757-0317	1	RES 1.33K 1% 0.25W MF		
A6R04	0690-3270	1	RES 1.62K 0.1% 0.25W MF		
A6R05	0757-0317	1	RES 1.33K 1% 0.25W MF		
A6R06	0698-3152	1	RES 3.48K 1% 0.25W MF		
A6R07	0699-0069	1	RES 2.15M 1% 0.25W MF		
A6R08	0757-0283	1	RES 2.00K 1% 0.25W MF		
A6R09	0757-0416	1	RES 511 1% 0.25W MF		
A6R10	0698-0084	1	RES 2.15K 1% 0.25 MF		
A6R11	0757-0280	1	RES 1.00K 1% 0.25W MF		
A6R12	0698-4442	1	RES 4.42K 1% 0.25W MF		
A6R13	0757-0401	1	RES 100 1% 0.25W MF		
A6R14	0757-0442	1	RES 10.0K 1% 0.25W MF		
A6R15	0687-1001	1	RES 10 10% 0.5W CC		EB1001
A6R16	0757-0290	1	RES 6.19K 1% 0.25W MF		
A6R17	0698-3151	1	RES 2.87K 1% 0.25W MF		
A6R18	0757-0427	1	RES 1.50K 1% 0.25W MF		

**Replaceable Parts List for Power Supply Assembly, Part Number 5062-3415 (2 of 2)**

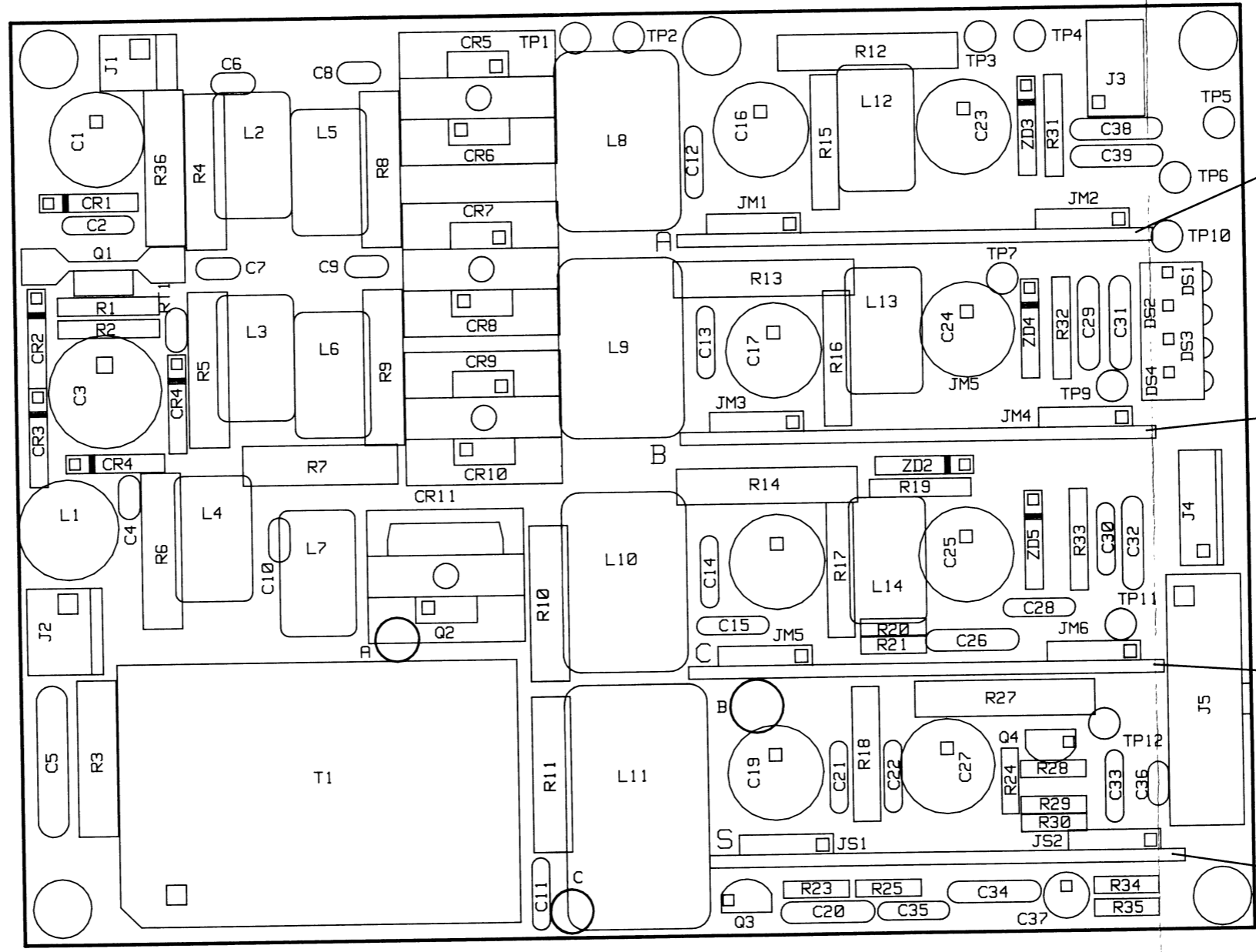
Reference Designation	HP Part Number	Qty	Description	Mfr Code	Mfr Part Number
A6R19	0698-3167	1	RES 25.0K 1% 0.25W MF		
A6R20	0698-3161	1	RES 38.3K 1% 0.25W MF		
A6R21	0698-3655	1	RES 56.0K 5% 2W MO		
A6R22	0698-3655	1	RES 56.0K 5% 2W MO		
A6R23	0699-0957	1	RES 5.23K 0.1% 0.25W MF		
A6R24	0757-0394	1	RES 51.1 1% 0.25W MF		
A6R25	0698-0084	1	RES 2.15K 1% 0.25W MF		
A6R26	0698-3441	1	RES 215 1% 0.25W MF		
A6R28	0757-0290	1	RES 6.19K 1% 0.25W MF		
A6R29	0698-3455	1	RES 261K 1% 0.25W MF		
A6R30	0757-0442	1	RES 10.0K 1% 0.25W MF		
A6R31	0757-0401	1	RES 100 1% 0.25W MF		
A6R32	0699-2183	1	RES 5.62K 1% 0.25W MF		
A6R33	0698-3454	1	RES 215K 1% 0.25W MF		
A6R34	0757-0280	1	RES 1.00K 1% 0.25W MF		
A6R35	0698-8680	1	RES 61.9 1% 0.25W MF		
A6R36	0757-0280	1	RES 1.00K 1% 0.25W MF		
A6R37	0757-0438	1	RES 5.11K 1% 0.25W MF		
A6R38	0757-0442	1	RES 10.0K 1% 0.25W MF		
A6R39	0698-3167	1	RES 25.0K 1% 0.25W MF		
A6R40	0698-3279	1	RES 4.99K 1% 0.25W MF		
A6R41	0757-0430	1	RES 2.21K 1% 0.25W MF		
A6R42	0757-0442	1	RES RES 10.0K 1% 0.25W MF		
A6R43	0757-0442	1	RES 10.0K 1% 0.25W MF		
A6R27	0698-3151	1	RES 2.87K 1% 0.25W MF		
A6RT1	0837-0135	1	THMS 5 TC -3.3%		SG-62
A6RT2	0837-0135	1	THMS 5 TC -3.3%		SG-62
A6RT3	0837-0451	1	NTC FOR TEMP. SENSING		PTS-K51F-HP1
A6S1	3101-2895	1	SW-SL DPDT RA PC		4021-4720
A6T1	9100-4755	1	XFMR PWR		
A6T2	9100-4952	1	XFMR GATE DRIVER		
A6T3	9100-4904	1	XFMR CURRENT SENSE		
A6U1	1826-0774	1	IC 385B P1 VREF		LM385BZ-L2
A6U2	1826-1243	1	IC 3527A C1 SWRG		SG3527A5
A6U3	1826-1439	1	IC 555C P1 TIMER		TLC555CP
A6U4	1826-0138	1	IC 339 C4 COMPT		LM339N LM
A6VR2	0837-0261	1	VARIATOR 650V 72J		V275LA20A
A6VR1	1970-0092	1	SURGE PCTR 250V		B2-B270Y33
A6VR3	1920-0092	1	SURGE PCTR 250V		B2B270Y33
	08753-00024	1	HEAT SINK		
	0515-1087	1	SCREW		
	0515-1087	1	HEX NUT-MACH PNH M3.0*14LG SST-3		
	0590-1095	1	INSERT-NUT M3.0*0.5 STEEL		
	2190-0584	1	WASHER-LOCK HLCL 3.0		
	1205-0499	1	HEAT SINK FOR TO 220		
	0515-0912	1	SCREW-MACH PNH M3.0*8LG SST-300		
	2190-0584	1	WASHER-LOCK HLCL 3.0		
	0535-0025	1	NUT-HEX M3.0*0.5 DBL-CHAM SST 30		
	5021-8106	2	HEAT SINK		
	5181-2323	2	COOL SHEET FOR TO220		
	1480-0074	2	PIN ROLL		
	0515-0921	2	SCREW-MACH PNH M2.5*12LG SST 300		
	0535-0026	2	NUT-HEX M2.5*0.45 DBL-CHAM SST		
	3050-0891	4	WASHER-FLAT 3.0		
	2190-0584	2	WASHER-LOCK HLCL 3.0		
	3050-1309	2	INSULATION BUSHING		
	0360-2359	7	TEST POINT		
	0470-0357	2.5	SILICON RUBBER RTV 3145		





NOTES:  
 1. REFERENCE DESIGNATORS WITHIN THIS ASSEMBLY ARE ABBREVIATED. PREFIX ABBREVIATION WITH ASSEMBLY NUMBER FOR COMPLETE REFERENCE DESIGNATOR.  
 2. UNLESS OTHERWISE INDICATED: RESISTANCE IN OHMS (Ω) CAPACITANCE IN FARADS (F) INDUCTANCE IN HENRIES (H)

AC Input  
 5062-3415  
 (SHEET 1 of 1)



+15V Mag Amp Board  
5062-3417

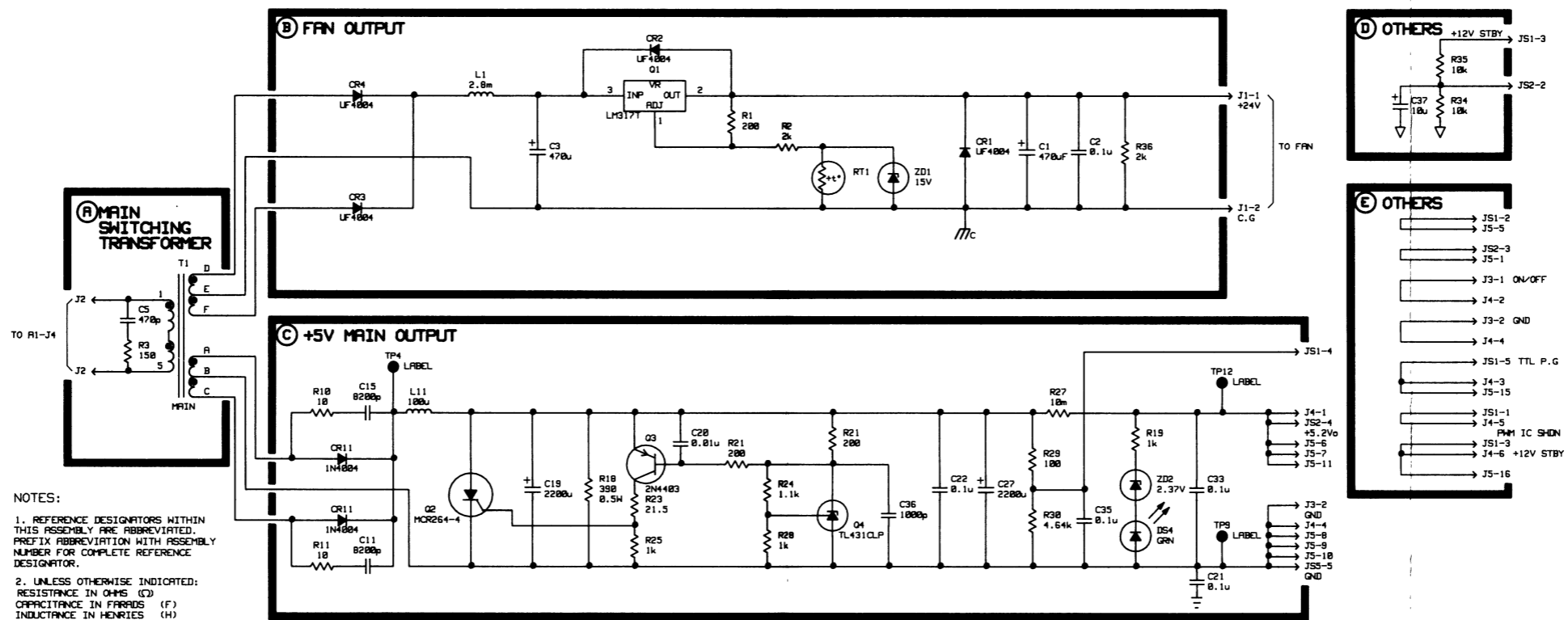
-15V Mag Amp Board  
5062-3418

+12V Mag Amp Board  
5062-3419

Supervisory Board  
5062-3420

DC Output  
5062-3416



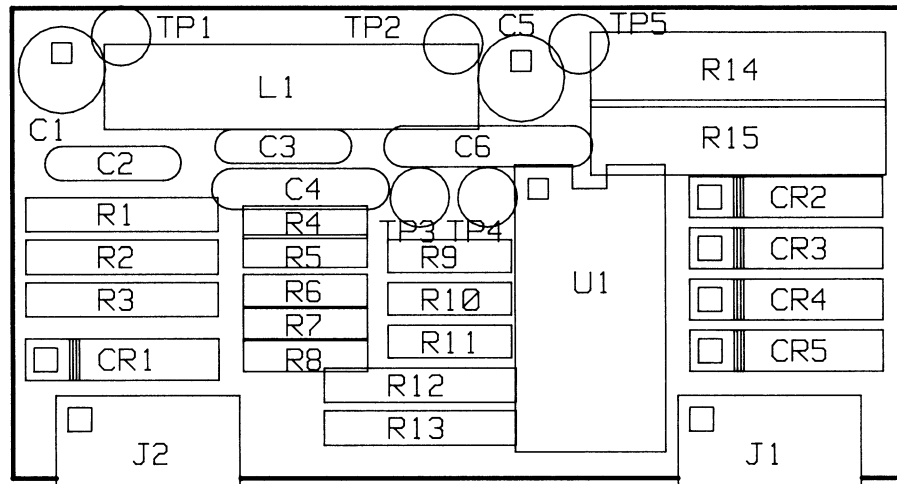


NOTES:

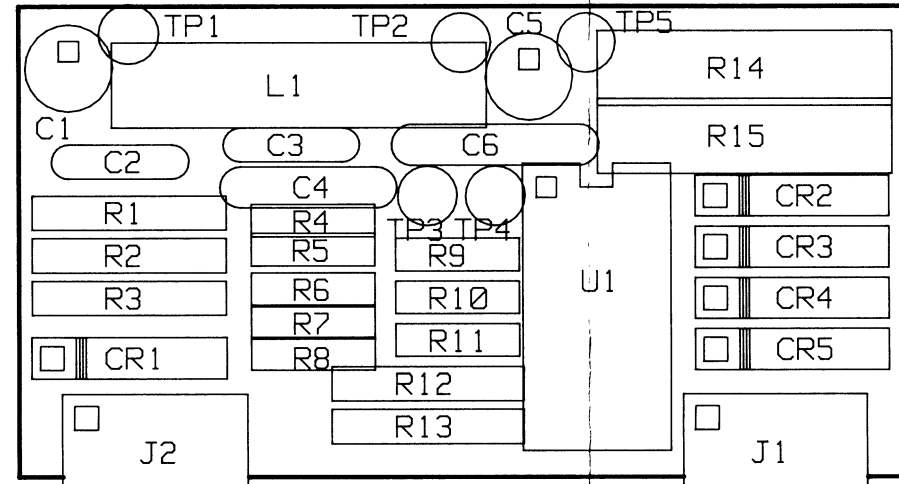
1. REFERENCE DESIGNATORS WITHIN THIS ASSEMBLY ARE ABBREVIATED. PREFIX ABBREVIATION WITH ASSEMBLY NUMBER FOR COMPLETE REFERENCE DESIGNATOR.

2. UNLESS OTHERWISE INDICATED: RESISTANCE IN OHMS (Ω) CAPACITANCE IN FARADS (F) INDUCTANCE IN HENRIES (H)

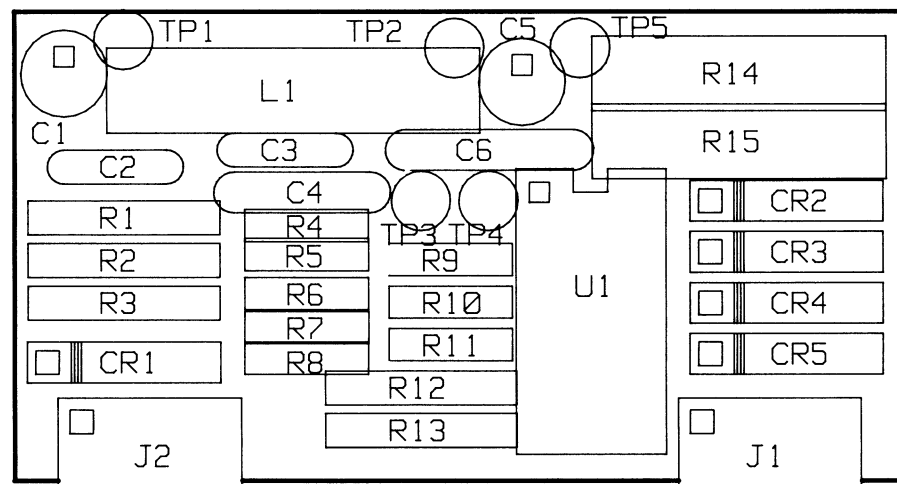
+15V Mag Amp 5062-3417



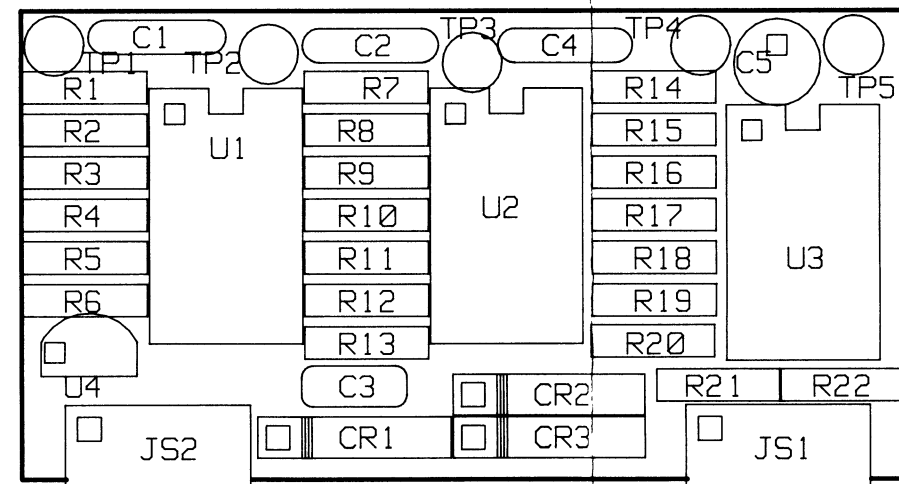
-15V Mag Amp 5062-3418



+12V Mag Amp 5062-3419



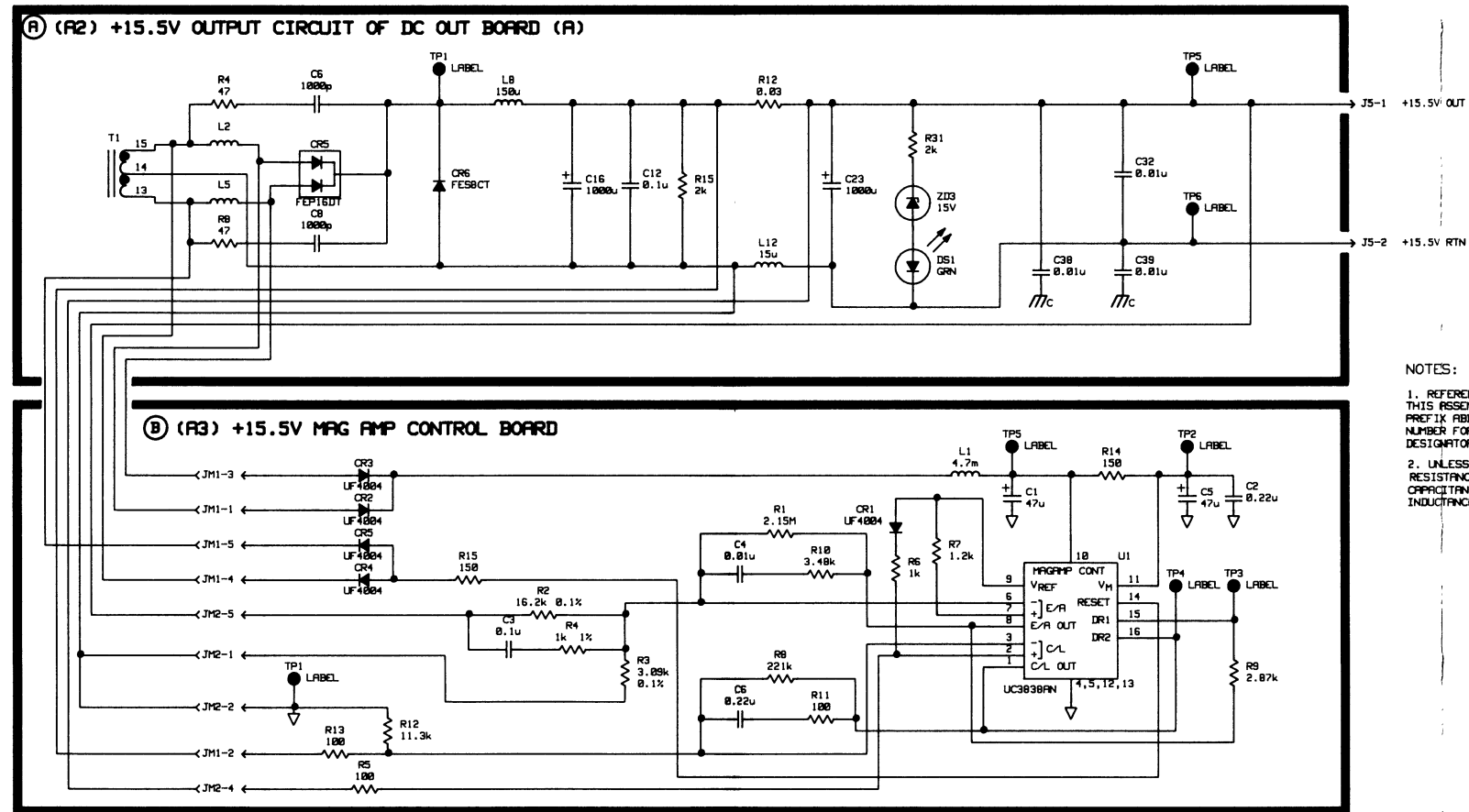
Supervisory 5062-3420



+15V Mag Amp/-15V Mag Amp/+12V Mag Amp/Supervisory  
 5062-3417/5062-3418/5062-3419/5062-3420

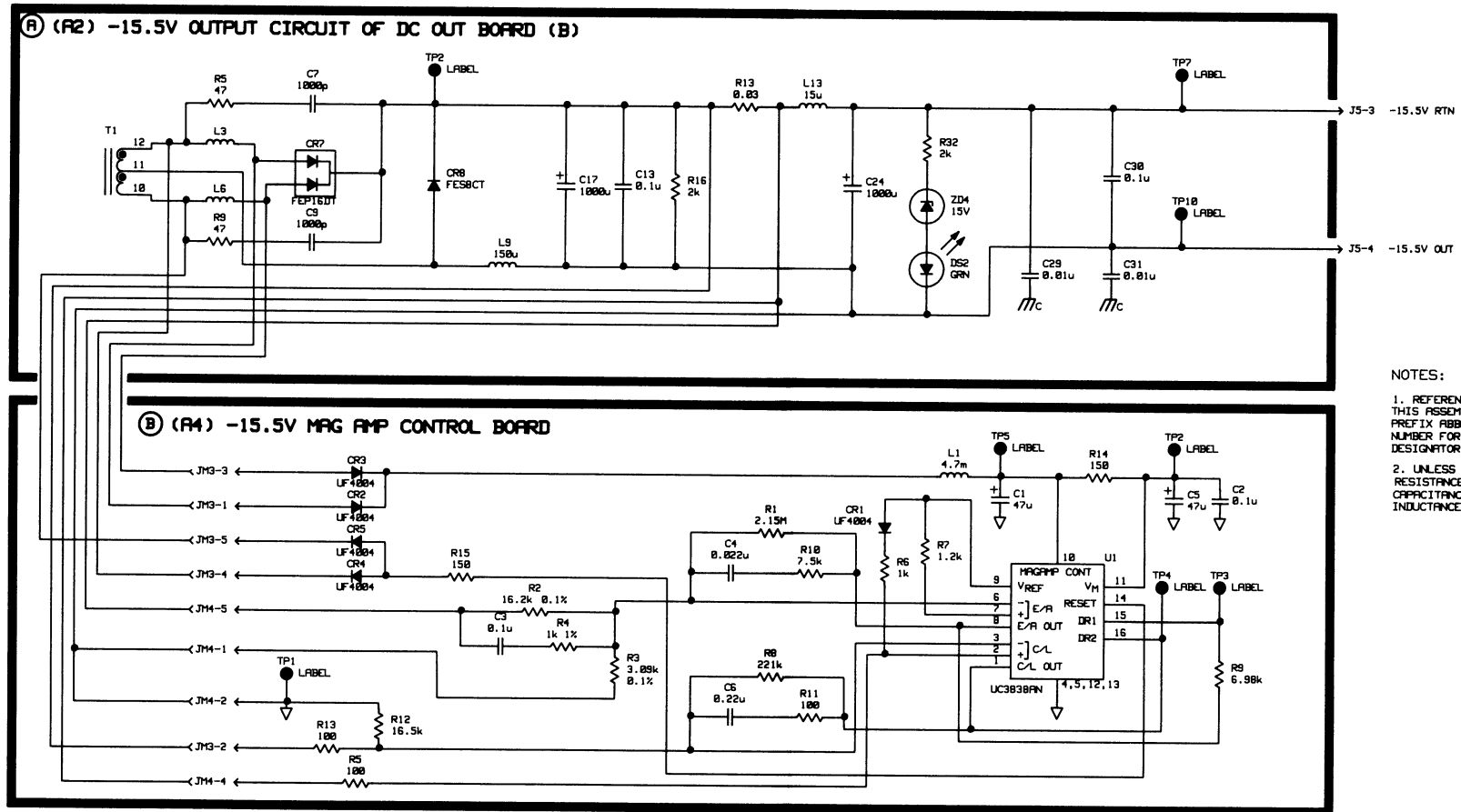






- NOTES:
1. REFERENCE DESIGNATORS WITHIN THIS ASSEMBLY ARE ABBREVIATED. PREFIX ABBREVIATION WITH ASSEMBLY NUMBER FOR COMPLETE REFERENCE DESIGNATOR.
  2. UNLESS OTHERWISE INDICATED: RESISTANCE IN OHMS (Ω) CAPACITANCE IN FARADS (F) INDUCTANCE IN HENRIES (H)

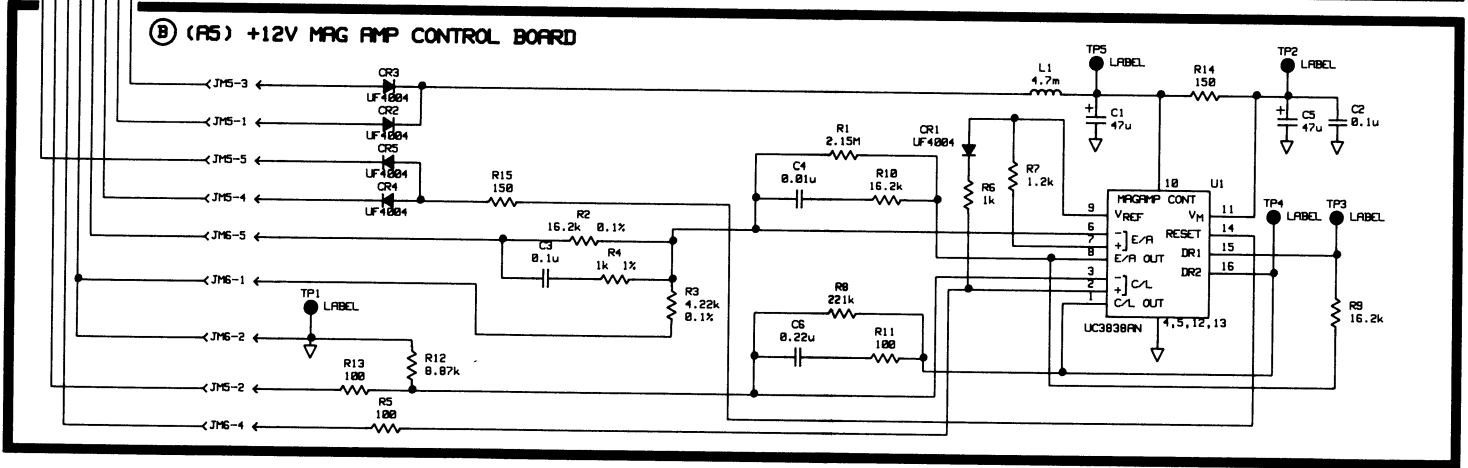
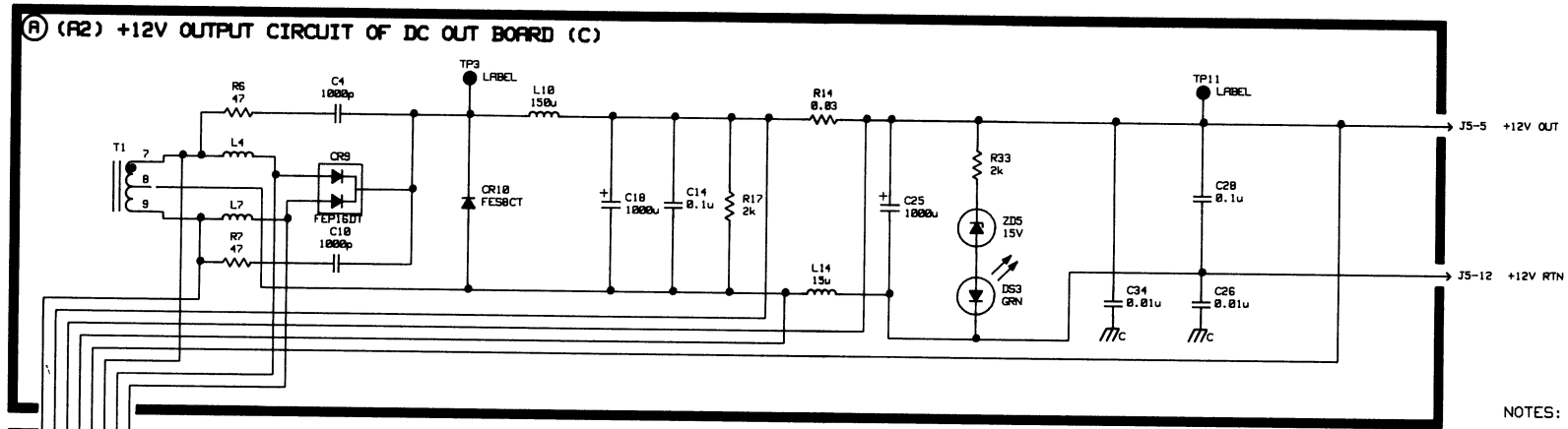
+15V Mag Amp  
5062-3417  
(SHEET 1 of 1)



NOTES:

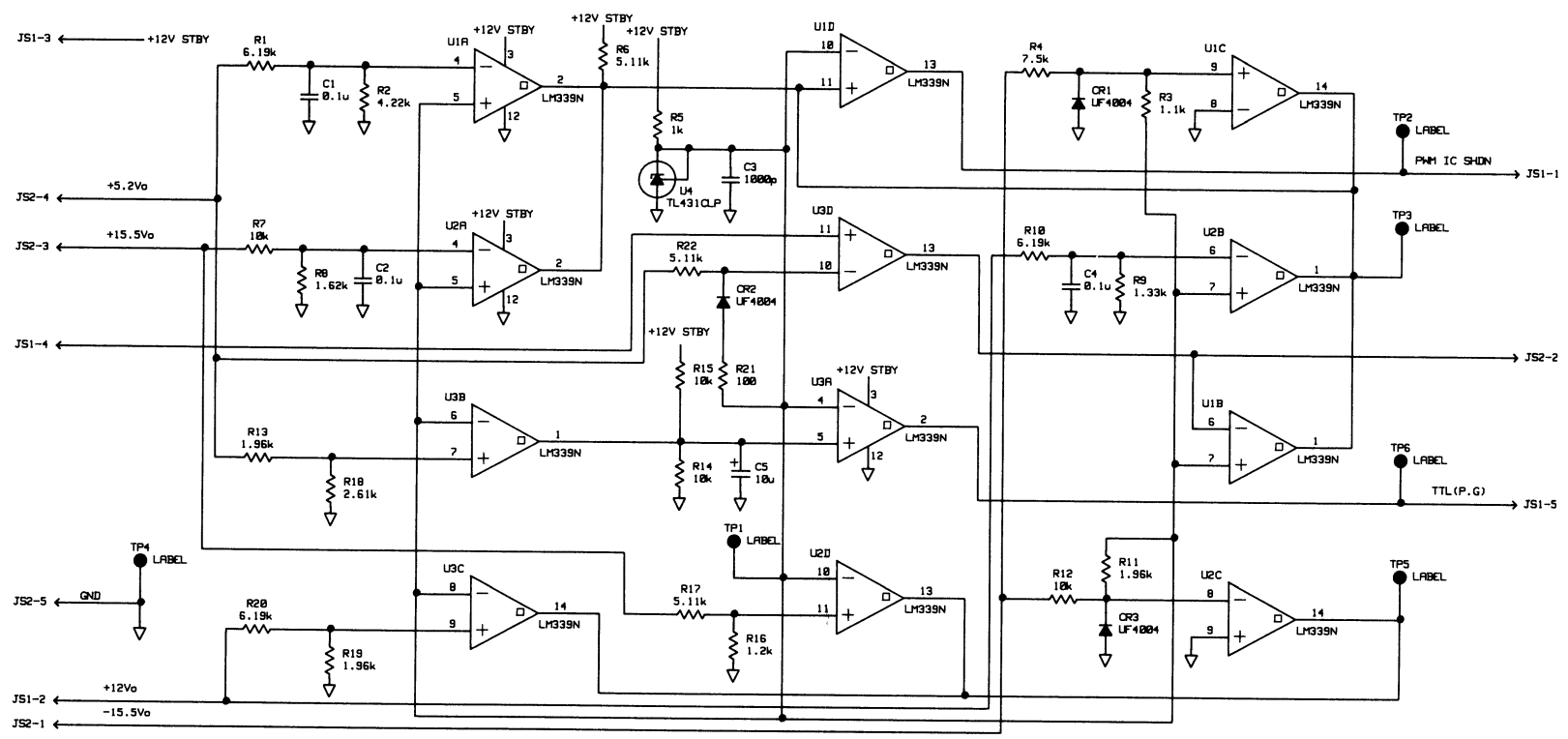
1. REFERENCE DESIGNATORS WITHIN THIS ASSEMBLY ARE ABBREVIATED. PREFIX ABBREVIATION WITH ASSEMBLY NUMBER FOR COMPLETE REFERENCE DESIGNATOR.
2. UNLESS OTHERWISE INDICATED: RESISTANCE IN OHMS (Ω) CAPACITANCE IN FARADS (F) INDUCTANCE IN HENRIES (H)

-15V Mag Amp  
5062-3418  
(SHEET 1 of 1)

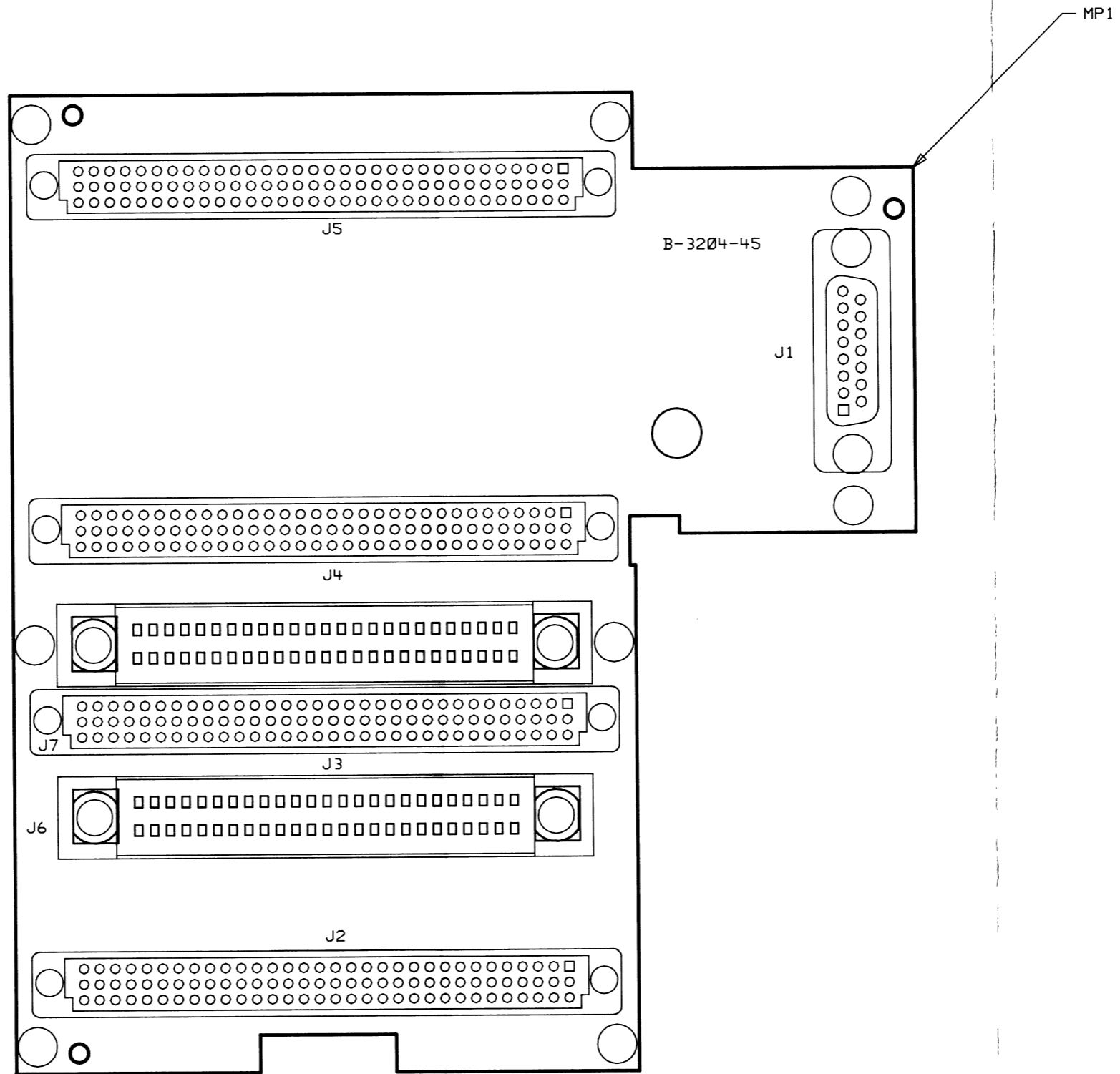


NOTES:  
 1. REFERENCE DESIGNATORS WITHIN THIS ASSEMBLY ARE ABBREVIATED. PREFIX ABBREVIATION WITH ASSEMBLY NUMBER FOR COMPLETE REFERENCE DESIGNATOR.  
 2. UNLESS OTHERWISE INDICATED: RESISTANCE IN OHMS (Ω) CAPACITANCE IN FARADS (F) INDUCTANCE IN HENRIES (H)

+12V Mag Amp  
 5062-3419  
 (SHEET 1 of 1)



NOTES:  
 1. REFERENCE DESIGNATORS WITHIN THIS ASSEMBLY ARE ABBREVIATED. PREFIX ABBREVIATION WITH ASSEMBLY NUMBER FOR COMPLETE REFERENCE DESIGNATOR.  
 2. UNLESS OTHERWISE INDICATED: RESISTANCE IN OHMS (Ω) CAPACITANCE IN FARADS (F) INDUCTANCE IN HENRIES (H)



NOTES: UNLESS OTHERWISE SPECIFIED  
 1. USE RAW BOARD PART NUMBER 08711-20109

# **Schematic Package for 08711 – 60109 Backplane**

The backplane board serves as the motherboard for the HP 8711A.  
Power supplies, control signals, and data are transmitted over the  
various signal lines on this board.

There are no replaceable parts on this board. The schematic is  
provided to help in troubleshooting instrument problems.

**Copyright ©1992 Hewlett–Packard Company  
Printed October 23, 1992  
Printed in USA**

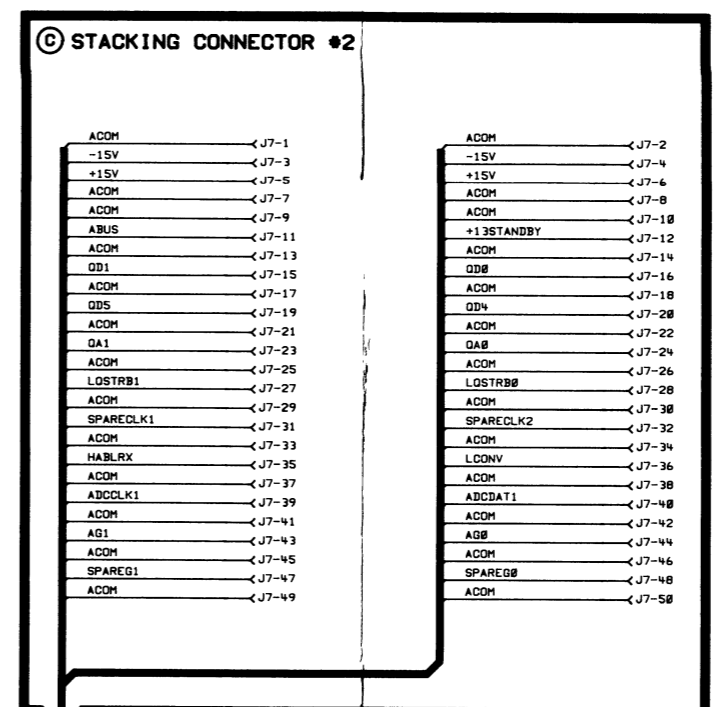
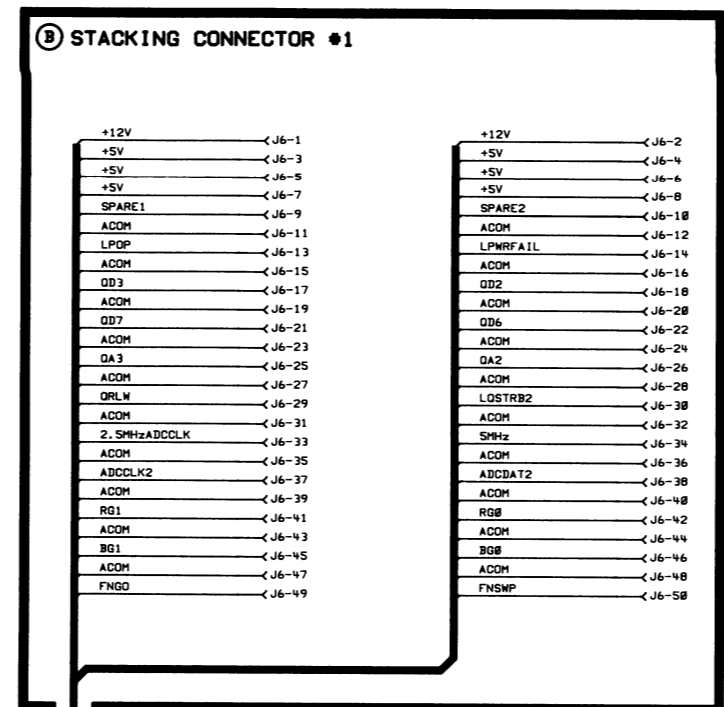
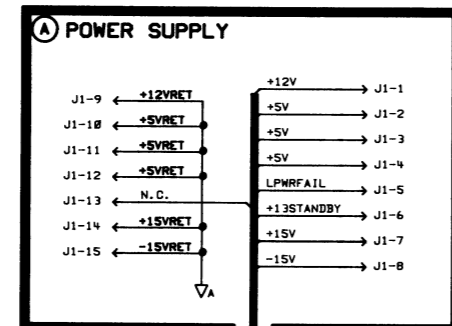


**Replaceable Parts List for Backplane Assembly, Part Number 08711-60109 (1 of 1)**

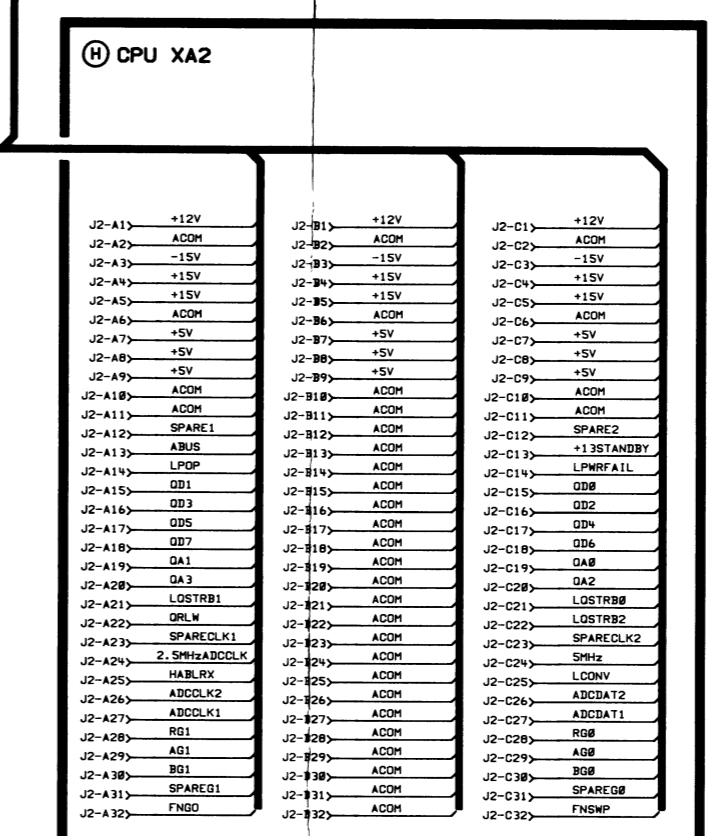
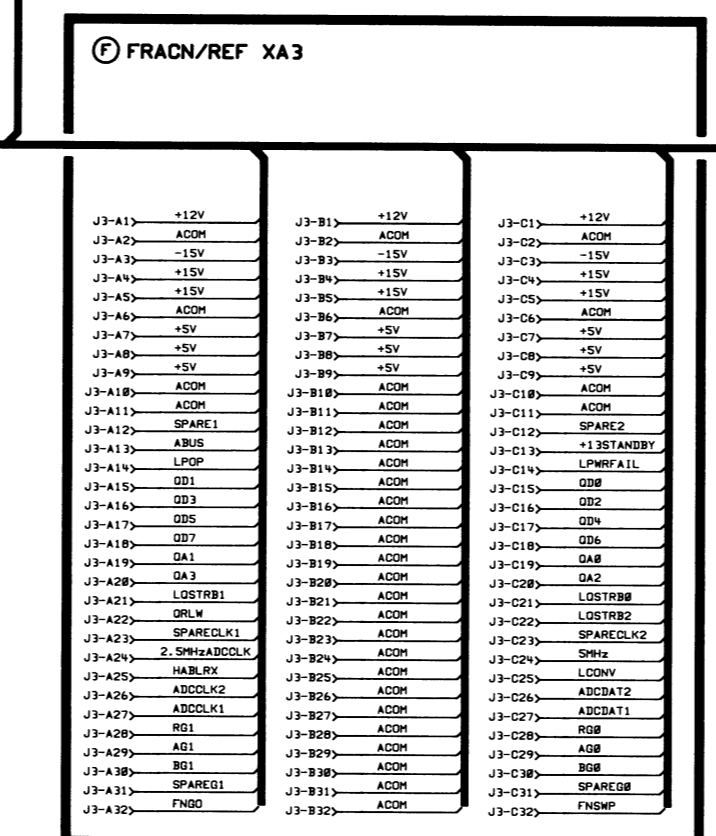
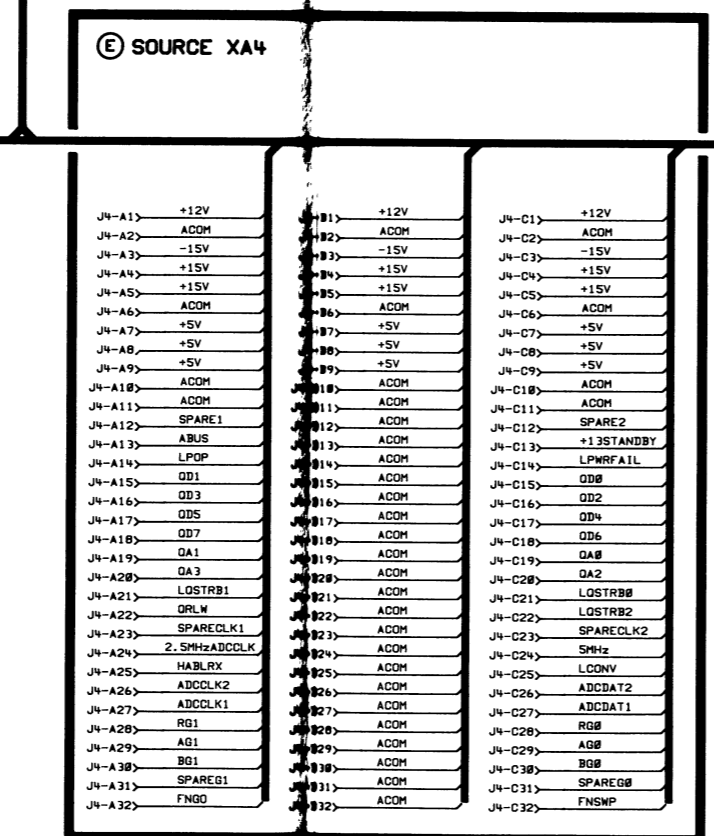
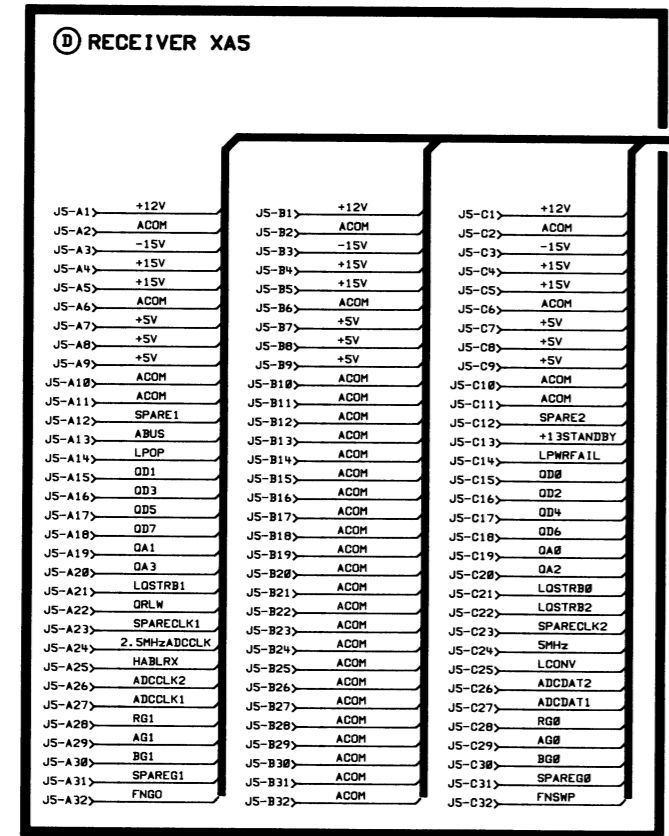
<b>Reference Designation</b>	<b>HP Part Number</b>	<b>Qty</b>	<b>Description</b>	<b>Mfr Code</b>	<b>Mfr Part Number</b>
	08711-60109	1	BD AY-BACKPLANE	28480	08711-60109
J1	1252-4293	1	CONN-RECT D-SUBMIN 15-CKT 15-CONT	03462	MD15M3S6000-759.0
J2	1252-4318	1	CONN-POST TYPE 2.54-PIN-SPCG 96-CONT	01380	650963-4
J3	1252-4318	1	CONN-POST TYPE 2.54-PIN-SPCG 96-CONT	01380	650963-4
J4	1252-4318	1	CONN-POST TYPE 2.54-PIN-SPCG 96-CONT	01380	650963-4
J5	1252-4318	1	CONN-POST TYPE 2.54-PIN-SPCG 96-CONT	01380	650963-4
MP1	08711-20109	1			



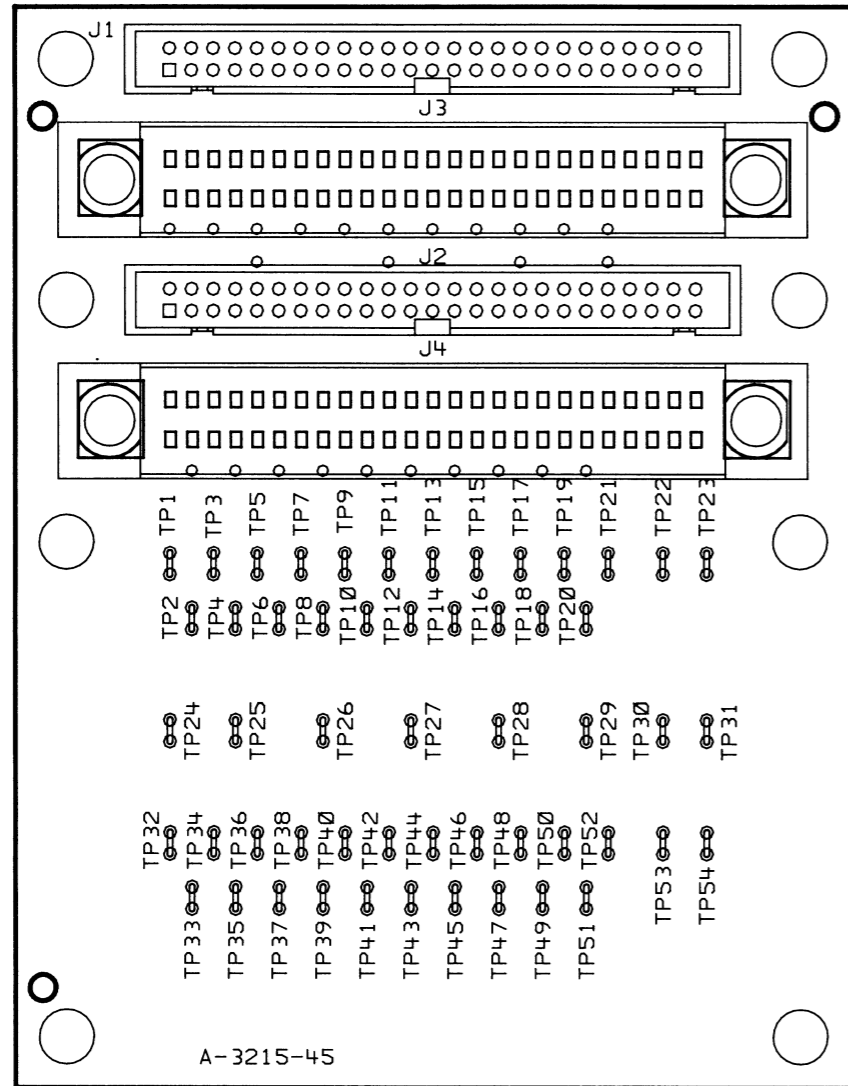




NOTES: UNLESS OTHERWISE SPECIFIED.  
1. J6, J7 ARE SHOWN FOR REFERENCE ONLY

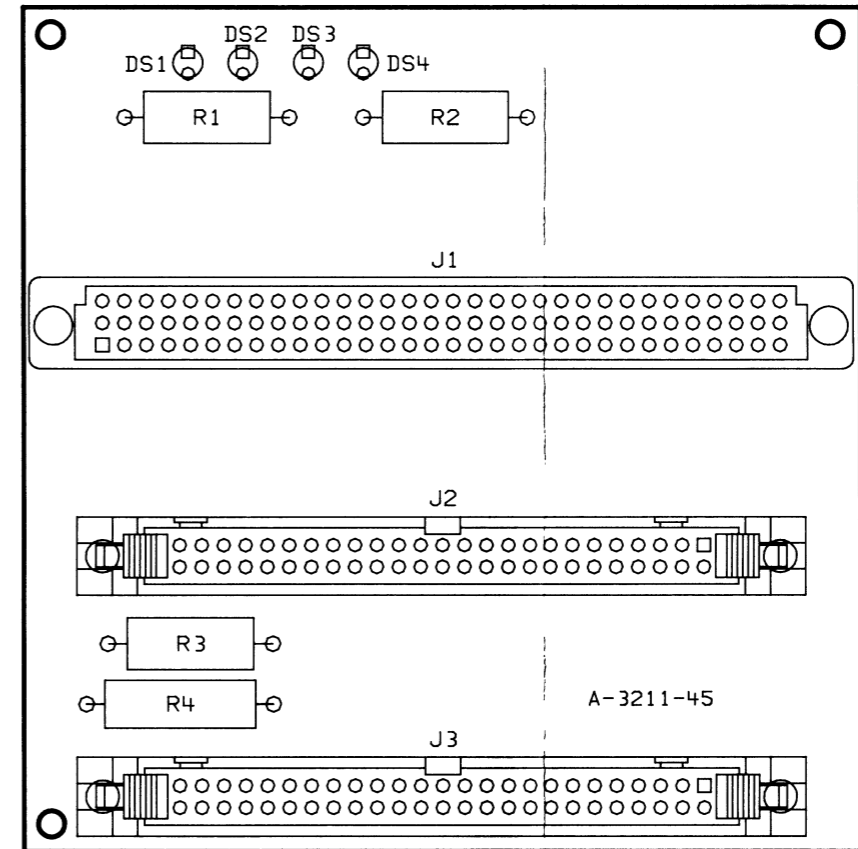


08711-60110



NOTES: UNLESS OTHERWISE SPECIFIED  
 1. USE RAW BOARD PART NUMBER 08711-20110.

08711-60111



NOTES: UNLESS OTHERWISE SPECIFIED  
 1. WORKMANSHIP ACCEPTABILITY: ASSEMBLY PER A-5951-1582-1 (741.070C)  
 SOLDERING PER A-5951-1585-1 (741.070F)  
 REWORK PER A-5951-1586-1 (741.070G)



Service Boards  
 08711-60110/08711-60111

# **Schematic Package for 08711-60110 and 08711-60111 Service Boards**

The service extender board assembly consists of two boards, connected by ribbon cables:

Service Interface Board	08711-60110
Service Remove Board	08711-60111

When the extender board is in use, the interface board covers the backplane to make contact with the signals on that board. The CPU, frac-N/reference, source, or receiver board can then be removed and placed on top of the instrument for troubleshooting, using the remote board to connect the backplane.

The component location diagram and schematic for these boards provide information on the various signal paths.

**Copyright ©1992 Hewlett-Packard Company  
Printed October 23, 1992  
Printed in USA**



*Replaceable Parts List for Service Board, Interface Assembly, Part Number 08711-60110 (1 of 1)*

Reference Designation	HP Part Number	Qty	Description	Mfr Code	Mfr Part Number
	08711-60110	1	BD AY-INTERFACE	28480	08711-60110
J1	1251-8835	1	CONN-POST TYPE .100-PIN-SPCG 50-CONT		
J2	1251-8835	1	CONN-POST TYPE .100-PIN-SPCG 50-CONT		
MP1	08711-20110	1			
TP1	1460-2201	1	SPRING RADIAL TEST POINT	12646	
TP2	1460-2201	1	SPRING RADIAL TEST POINT	12646	
TP3	1460-2201	1	SPRING RADIAL TEST POINT	12646	
TP4	1460-2201	1	SPRING RADIAL TEST POINT	12646	
TP5	1460-2201	1	SPRING RADIAL TEST POINT	12646	
TP6	1460-2201	1	SPRING RADIAL TEST POINT	12646	
TP7	1460-2201	1	SPRING RADIAL TEST POINT	12646	
TP8	1460-2201	1	SPRING RADIAL TEST POINT	12646	
TP9	1460-2201	1	SPRING RADIAL TEST POINT	12646	
TP10	1460-2201	1	SPRING RADIAL TEST POINT	12646	
TP11	1460-2201	1	SPRING RADIAL TEST POINT	12646	
TP12	1460-2201	1	SPRING RADIAL TEST POINT	12646	
TP13	1460-2201	1	SPRING RADIAL TEST POINT	12646	
TP14	1460-2201	1	SPRING RADIAL TEST POINT	12646	
TP15	1460-2201	1	SPRING RADIAL TEST POINT	12646	
TP16	1460-2201	1	SPRING RADIAL TEST POINT	12646	
TP17	1460-2201	1	SPRING RADIAL TEST POINT	12646	
TP18	1460-2201	1	SPRING RADIAL TEST POINT	12646	
TP19	1460-2201	1	SPRING RADIAL TEST POINT	12646	
TP20	1460-2201	1	SPRING RADIAL TEST POINT	12646	
TP21	1460-2201	1	SPRING RADIAL TEST POINT	12646	
TP22	1460-2201	1	SPRING RADIAL TEST POINT	12646	
TP23	1460-2201	1	SPRING RADIAL TEST POINT	12646	
TP24	1460-2201	1	SPRING RADIAL TEST POINT	12646	
TP25	1460-2201	1	SPRING RADIAL TEST POINT	12646	
TP26	1460-2201	1	SPRING RADIAL TEST POINT	12646	
TP27	1460-2201	1	SPRING RADIAL TEST POINT	12646	
TP28	1460-2201	1	SPRING RADIAL TEST POINT	12646	
TP29	1460-2201	1	SPRING RADIAL TEST POINT	12646	
TP30	1460-2201	1	SPRING RADIAL TEST POINT	12646	
TP31	1460-2201	1	SPRING RADIAL TEST POINT	12646	
TP32	1460-2201	1	SPRING RADIAL TEST POINT	12646	
TP33	1460-2201	1	SPRING RADIAL TEST POINT	12646	
TP34	1460-2201	1	SPRING RADIAL TEST POINT	12646	
TP35	1460-2201	1	SPRING RADIAL TEST POINT	12646	
TP36	1460-2201	1	SPRING RADIAL TEST POINT	12646	
TP37	1460-2201	1	SPRING RADIAL TEST POINT	12646	
TP38	1460-2201	1	SPRING RADIAL TEST POINT	12646	
TP39	1460-2201	1	SPRING RADIAL TEST POINT	12646	
TP40	1460-2201	1	SPRING RADIAL TEST POINT	12646	
TP41	1460-2201	1	SPRING RADIAL TEST POINT	12646	
TP42	1460-2201	1	SPRING RADIAL TEST POINT	12646	
TP43	1460-2201	1	SPRING RADIAL TEST POINT	12646	
TP44	1460-2201	1	SPRING RADIAL TEST POINT	12646	
TP45	1460-2201	1	SPRING RADIAL TEST POINT	12646	
TP46	1460-2201	1	SPRING RADIAL TEST POINT	12646	
TP47	1460-2201	1	SPRING RADIAL TEST POINT	12646	
TP48	1460-2201	1	SPRING RADIAL TEST POINT	12646	
TP49	1460-2201	1	SPRING RADIAL TEST POINT	12646	
TP50	1460-2201	1	SPRING RADIAL TEST POINT	12646	
TP51	1460-2201	1	SPRING RADIAL TEST POINT	12646	
TP52	1460-2201	1	SPRING RADIAL TEST POINT	12646	
TP53	1460-2201	1	SPRING RADIAL TEST POINT	12646	
TP54	1460-2201	1	SPRING RADIAL TEST POINT	12646	

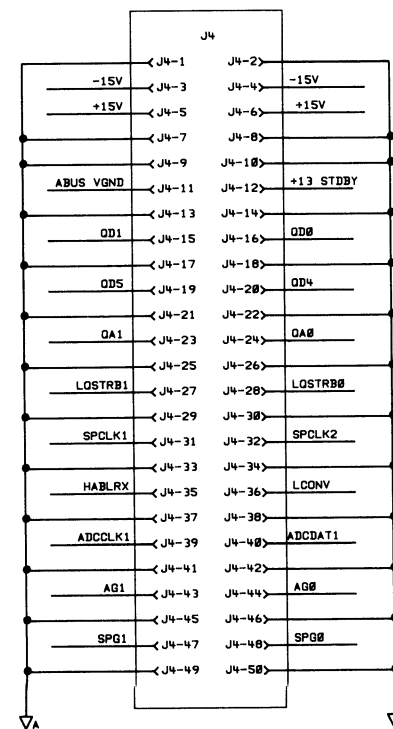
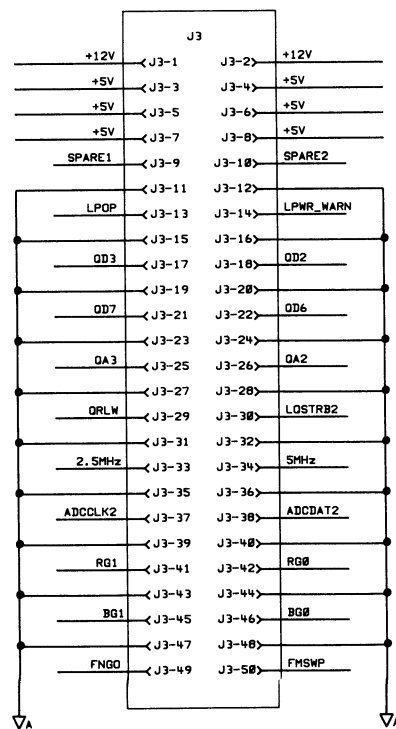
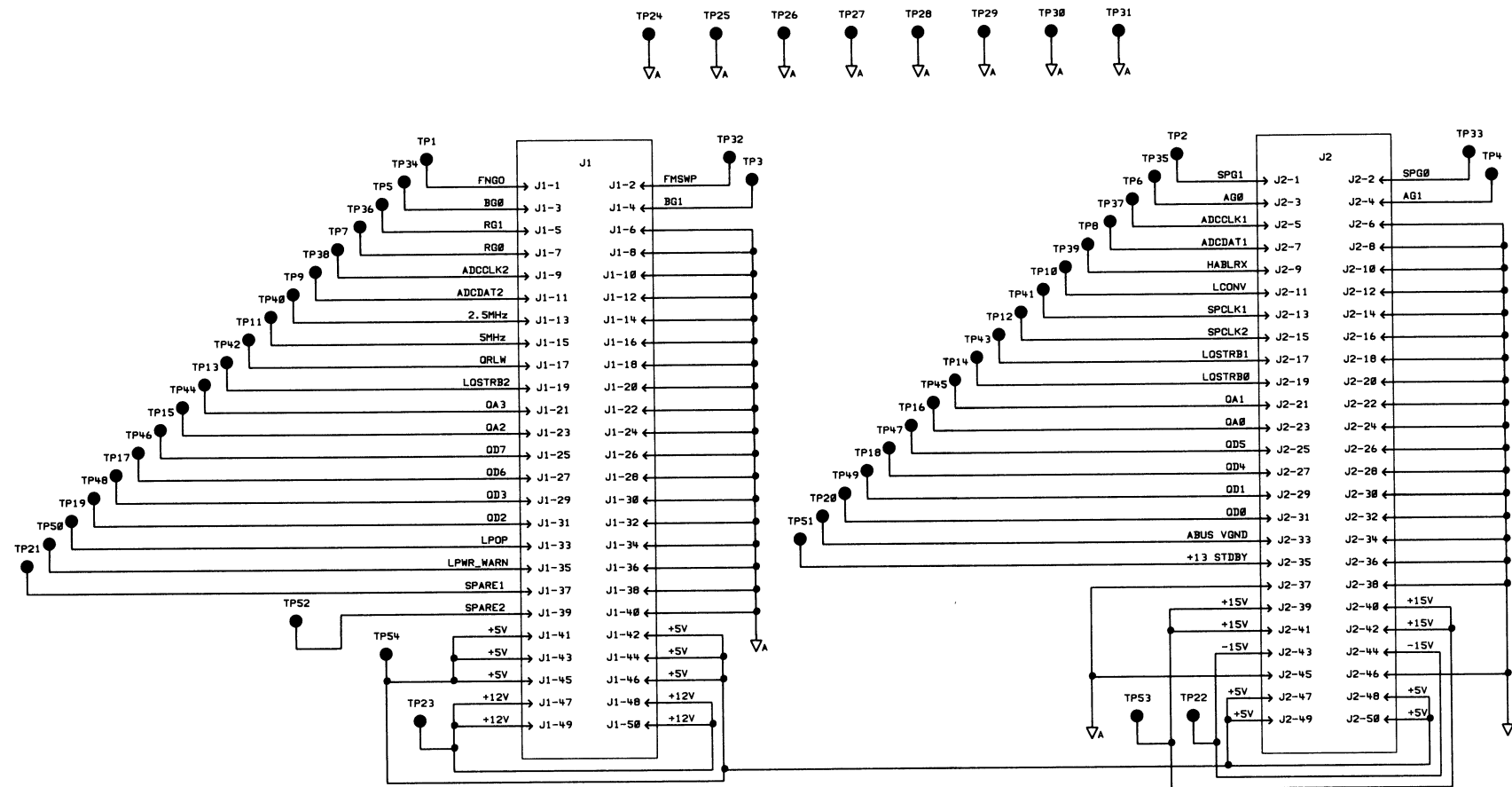


**Replaceable Parts List for Service Board, Remote Assembly, Part Number 08711-60111 (1 of 1)**

Reference Designation	HP Part Number	Qty	Description	Mfr Code	Mfr Part Number
	08711-60111	1	BD AY-SERV RMOTE	28480	08711-60111
DS1	1990-0485	1	LED-LAMP LUM-INT=2MCD IF=30MA-MAX BVR=5V		
DS2	1990-0485	1	LED-LAMP LUM-INT=2MCD IF=30MA-MAX BVR=5V		
DS3	1990-0485	1	LED-LAMP LUM-INT=2MCD IF=30MA-MAX BVR=5V		
DS4	1990-0485	1	LED-LAMP LUM-INT=2MCD IF=30MA-MAX BVR=5V		
J1	1252-4318	1	CONN-POST TYPE 2.54-PIN-SPCG 96-CONT	01380	650963-4
J2	1251-8669	1	CONN-POST TYPE .100-PIN-SPCG 50-CONT		
J3	1251-8669	1	CONN-POST TYPE .100-PIN-SPCG 50-CONT		
MP1	08711-20111	1			
R1	0698-3635	1	RESISTOR 680 ±5% 2W MO TC=0±200	02499	GS-3
R2	0698-3635	1	RESISTOR 680 ±5% 2W MO TC=0±200	02499	GS-3
R3	0764-0015	1	RESISTOR 560 ±5% 2W MO TC=0±200	02499	GS-3
R4	0757-0802	1	RESISTOR 162 ±1% .5W TF TC=0±100	05524	CMF-65-2

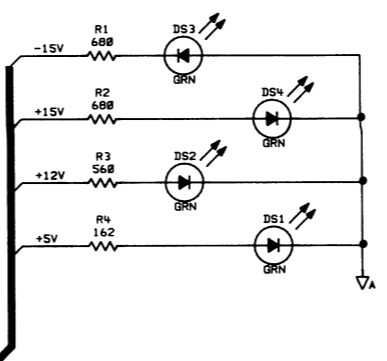






NOTES: UNLESS OTHERWISE SPECIFIED  
 1. J3 AND J4 ARE NOT LOADED AT THIS TIME.

Service Board  
 08711-60110  
 (SHEET 1 of 1)



- J1-A1 > +12V
- J1-A2 > ACOM
- J1-A3 > -15V
- J1-A4 > +15V
- J1-A5 > +15V
- J1-A6 > ACOM
- J1-A7 > +5V
- J1-A8 > +5V
- J1-A9 > +5V
- J1-A10 > ACOM
- J1-A11 > ACOM
- J1-A12 > SPARE1
- J1-A13 > ABUS
- J1-A14 > LPOP
- J1-A15 > OD1
- J1-A16 > OD3
- J1-A17 > OD5
- J1-A18 > OD7
- J1-A19 > QA1
- J1-A20 > QA3
- J1-A21 > LOSTRB1
- J1-A22 > DRLW
- J1-A23 > SPARE CLK 1
- J1-A24 > 2.5MHz ADC CLK
- J1-A25 > HABL RX
- J1-A26 > ADCCLK2
- J1-A27 > ADCCLK1
- J1-A28 > RG1
- J1-A29 > AG1
- J1-A30 > BG1
- J1-A31 > SPARE G1
- J1-A32 > FNGO

- J1-B1 > +12V
- J1-B2 > ACOM
- J1-B3 > -15V
- J1-B4 > +15V
- J1-B5 > +15V
- J1-B6 > ACOM
- J1-B7 > +5V
- J1-B8 > +5V
- J1-B9 > +5V
- J1-B10 > ACOM
- J1-B11 > ACOM
- J1-B12 > ACOM
- J1-B13 > ACOM
- J1-B14 > ACOM
- J1-B15 > ACOM
- J1-B16 > ACOM
- J1-B17 > ACOM
- J1-B18 > ACOM
- J1-B19 > ACOM
- J1-B20 > ACOM
- J1-B21 > ACOM
- J1-B22 > ACOM
- J1-B23 > ACOM
- J1-B24 > ACOM
- J1-B25 > ACOM
- J1-B26 > ACOM
- J1-B27 > ACOM
- J1-B28 > ACOM
- J1-B29 > ACOM
- J1-B30 > ACOM
- J1-B31 > ACOM
- J1-B32 > ACOM

- J1-C1 > +12V
- J1-C2 > ACOM
- J1-C3 > -15V
- J1-C4 > +15V
- J1-C5 > +15V
- J1-C6 > ACOM
- J1-C7 > +5V
- J1-C8 > +5V
- J1-C9 > +5V
- J1-C10 > ACOM
- J1-C11 > ACOM
- J1-C12 > SPARE2
- J1-C13 > +13V STANDBY
- J1-C14 > LPWR FAIL
- J1-C15 > OD8
- J1-C16 > OD2
- J1-C17 > OD4
- J1-C18 > OD6
- J1-C19 > QA8
- J1-C20 > QA2
- J1-C21 > LOSTRB8
- J1-C22 > LOSTRB2
- J1-C23 > SPARE CLK 2
- J1-C24 > 5MHz
- J1-C25 > LCONV
- J1-C26 > ADCDAT2
- J1-C27 > ADCDAT1
- J1-C28 > RG8
- J1-C29 > AG8
- J1-C30 > BG8
- J1-C31 > SPARE G8
- J1-C32 > FNSWP

- FNGO > J2-1
- FNSWP > J2-2
- BG8 > J2-3
- BG1 > J2-4
- RG1 > J2-5
- ACOM > J2-6
- RG8 > J2-7
- ACOM > J2-8
- ADCCLK2 > J2-9
- ACOM > J2-10
- ADCDAT2 > J2-11
- ACOM > J2-12
- 2.5MHz ADC CLK > J2-13
- ACOM > J2-14
- 5MHz > J2-15
- ACOM > J2-16
- QRLW > J2-17
- ACOM > J2-18
- LOSTRB2 > J2-19
- ACOM > J2-20
- QA3 > J2-21
- ACOM > J2-22
- QA2 > J2-23
- ACOM > J2-24
- OD7 > J2-25
- ACOM > J2-26
- OD6 > J2-27
- ACOM > J2-28
- OD3 > J2-29
- ACOM > J2-30
- OD2 > J2-31
- ACOM > J2-32
- LPOP > J2-33
- ACOM > J2-34
- LPWR FAIL > J2-35
- ACOM > J2-36
- SPARE1 > J2-37
- ACOM > J2-38
- SPARE2 > J2-39
- ACOM > J2-40
- +5V > J2-41
- +5V > J2-42
- +5V > J2-43
- +5V > J2-44
- +5V > J2-45
- +5V > J2-46
- +12V > J2-47
- +12V > J2-48
- +12V > J2-49
- +12V > J2-50

- SPARE G1 > J3-1
- SPARE G8 > J3-2
- AG8 > J3-3
- AG1 > J3-4
- ADCCLK1 > J3-5
- ACOM > J3-6
- ADCDAT1 > J3-7
- ACOM > J3-8
- HABL RX > J3-9
- ACOM > J3-10
- LCONV > J3-11
- ACOM > J3-12
- SPARE CLK 1 > J3-13
- ACOM > J3-14
- SPARE CLK 2 > J3-15
- ACOM > J3-16
- LOSTRB1 > J3-17
- ACOM > J3-18
- LOSTRB8 > J3-19
- ACOM > J3-20
- QA1 > J3-21
- ACOM > J3-22
- QA8 > J3-23
- ACOM > J3-24
- OD5 > J3-25
- ACOM > J3-26
- OD4 > J3-27
- ACOM > J3-28
- OD1 > J3-29
- ACOM > J3-30
- OD8 > J3-31
- ACOM > J3-32
- ABUS > J3-33
- ACOM > J3-34
- +13V STANDBY > J3-35
- ACOM > J3-36
- ACOM > J3-37
- ACOM > J3-38
- +15V > J3-39
- +15V > J3-40
- +15V > J3-41
- +15V > J3-42
- 15V > J3-43
- 15V > J3-44
- ACOM > J3-45
- ACOM > J3-46
- +5V > J3-47
- +5V > J3-48
- +5V > J3-49
- +5V > J3-50

Service Board  
 08711-60111  
 (SHEET 1 of 1)

